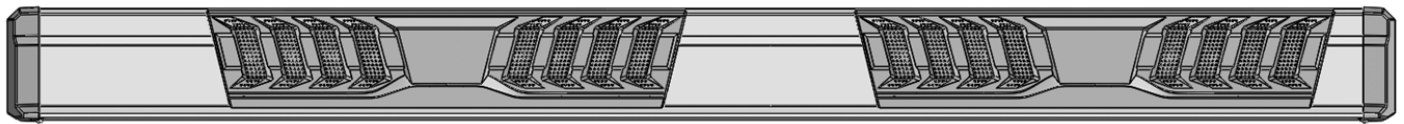


Installation Instructions

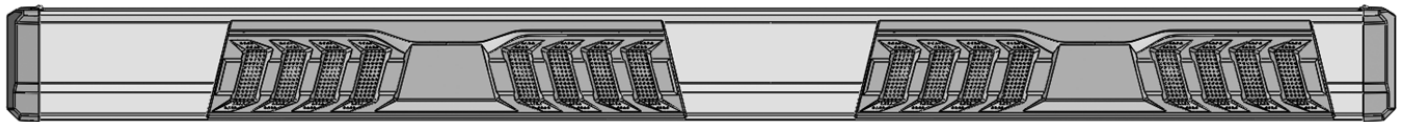
PARTS LIST:

Qty	Item Description	Qty	Item Description
1	76" Driver/left Running Board	12	8-1.25mm Nylon Lock Nuts
1	76" Passenger/right Running Board	12	8-1.25mm x 30mm Hex Bolts
1	Driver/Left Front Mounting Bracket	12	8mm Lock Washers
1	Passenger/Right Front Mounting Bracket	24	8mm x 24mm x 2mm Flat Washers
2	Driver/Left Center and Rear Mounting Brackets	6	8-1.25mm x 35mm Double Bolt Plates
2	Passenger/Right Center and Rear Mounting Brackets		

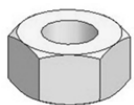
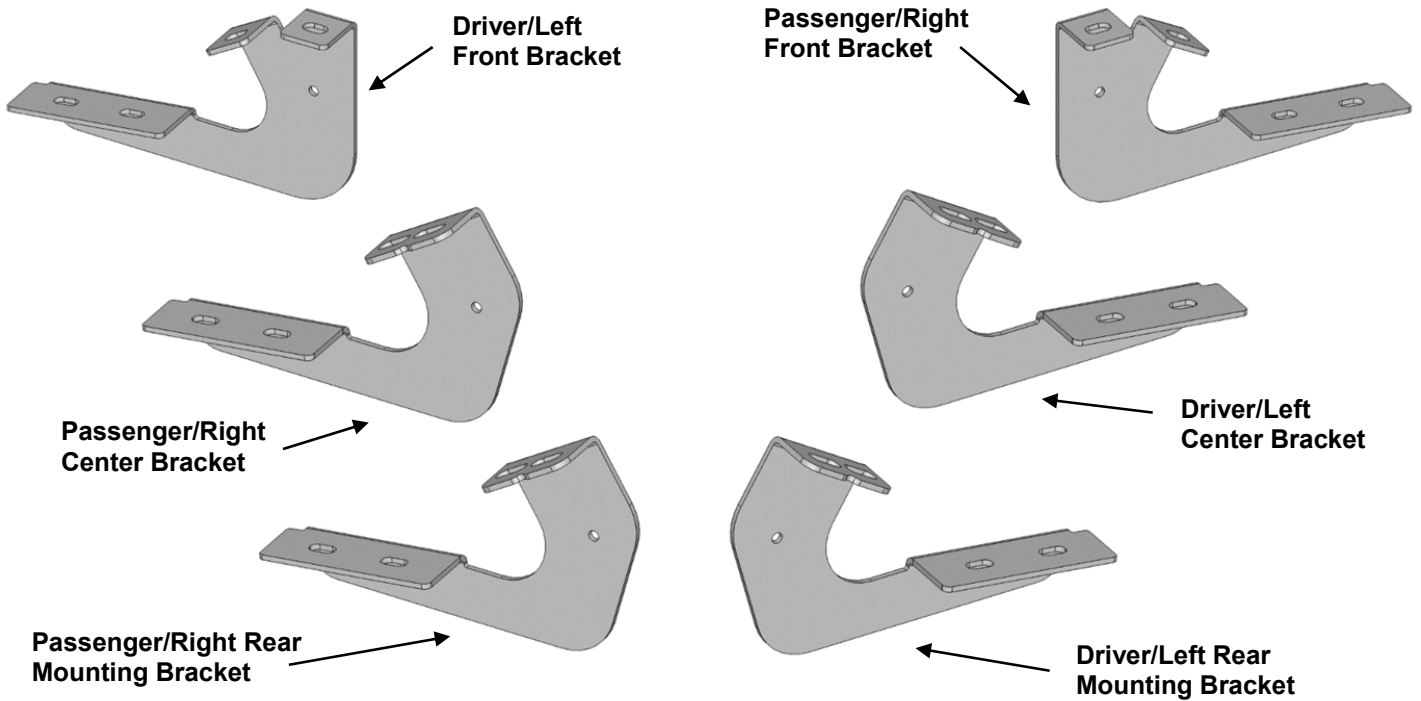


← Front

Passenger/Right Running Board



Driver/Left Running Board



Hex Nut



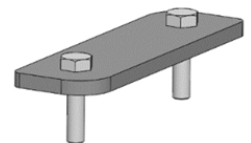
Lock Washer



Flat Washer



Hex Bolt



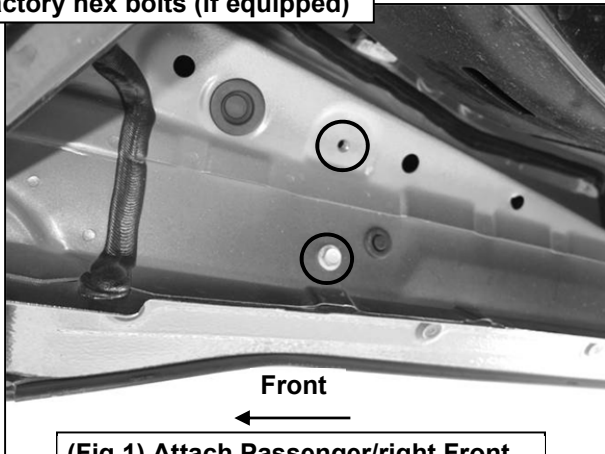
Bolt Plate

TOOLS REQUIRED

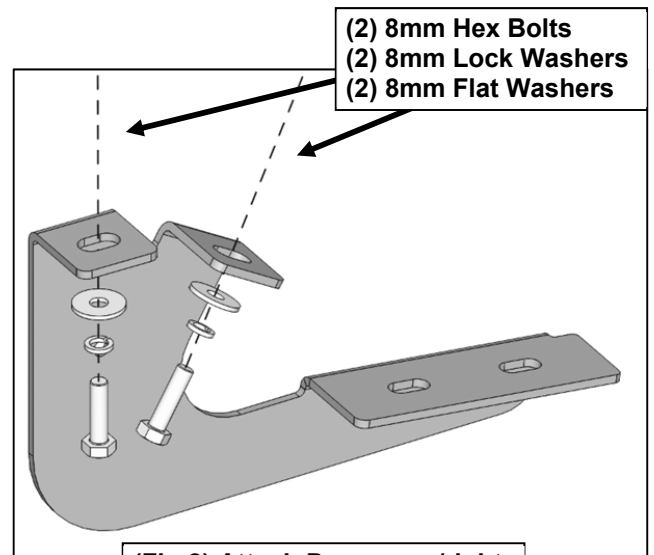


1 Follow (Fig 1 – 9) to attach the brackets to the Passenger Side. Repeat the following steps on the Driver Side. Ensure hardware is hand tight at this point.

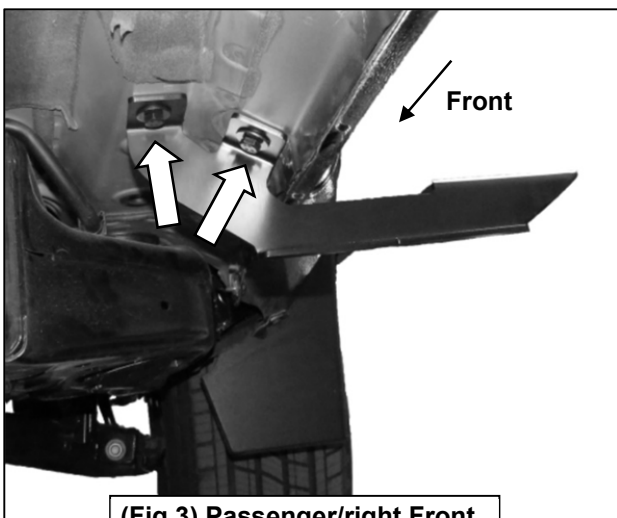
Remove plastic plugs or factory hex bolts (if equipped)



(Fig 1) Attach Passenger/right Front Mounting Bracket to Passenger/right Front Mounting location

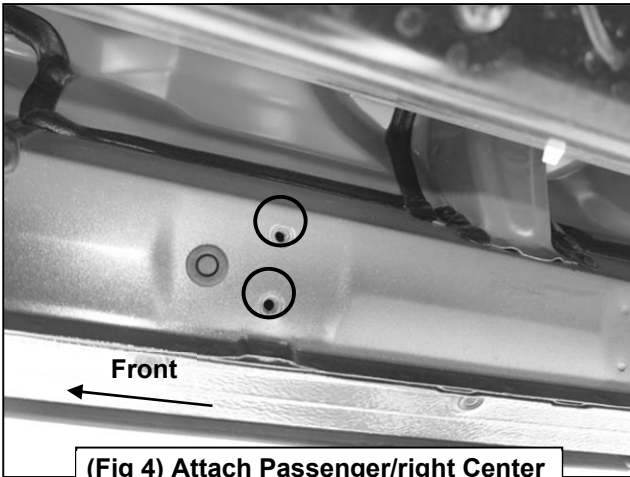


(Fig 2) Attach Passenger/right Front Mounting Bracket

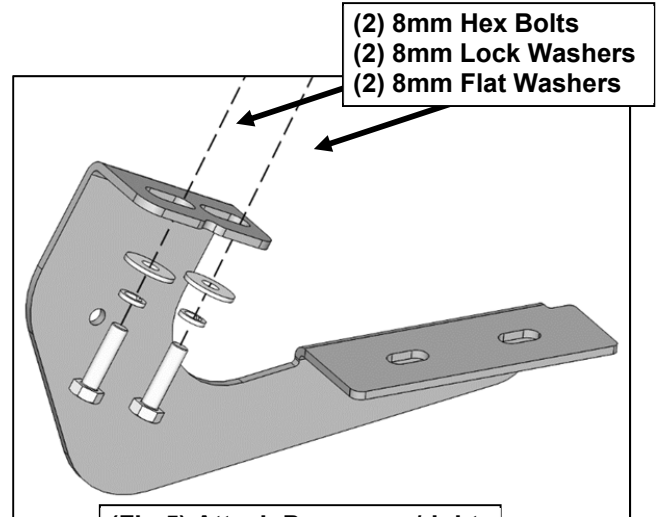


(Fig 3) Passenger/right Front Mounting Bracket installed

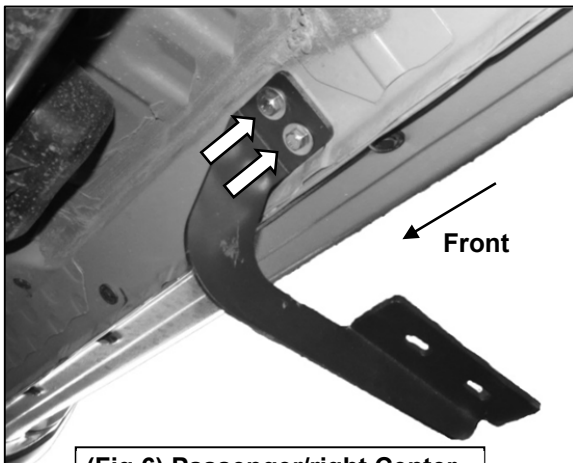
**S6 Running Boards
24+ Toyota Tacoma Double Cab**



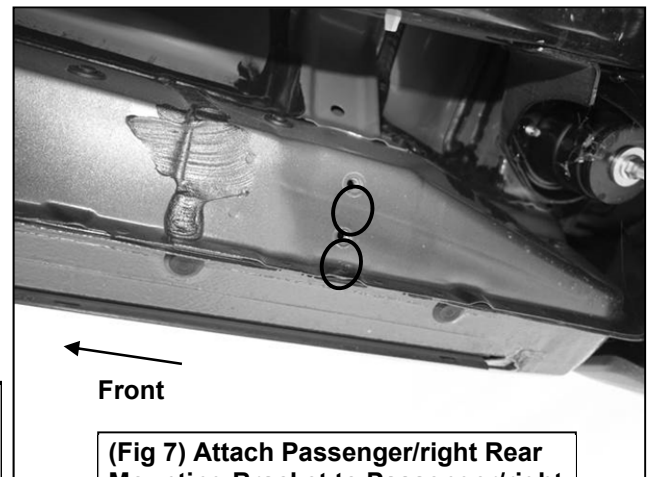
(Fig 4) Attach Passenger/right Center Mounting Bracket to Passenger/right Center Mounting location



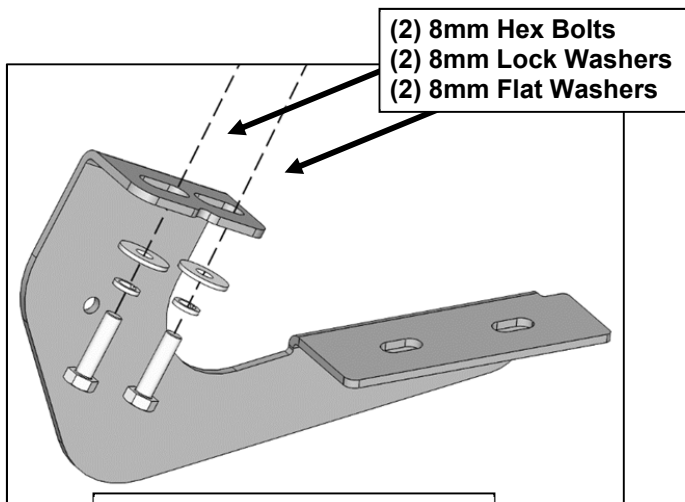
(Fig 5) Attach Passenger/right Center Mounting Bracket



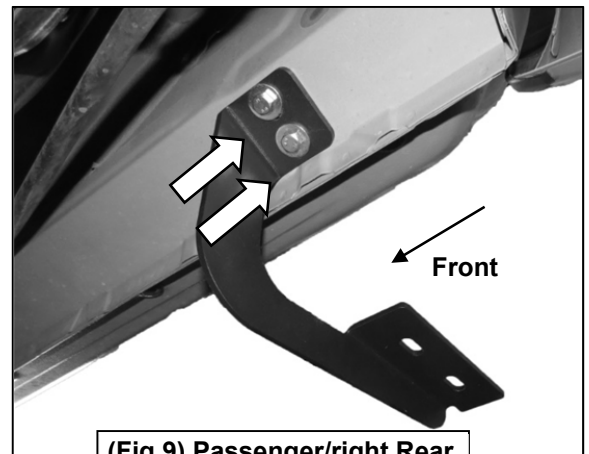
(Fig 6) Passenger/right Center Mounting Bracket installed



(Fig 7) Attach Passenger/right Rear Mounting Bracket to Passenger/right Rear Mounting location

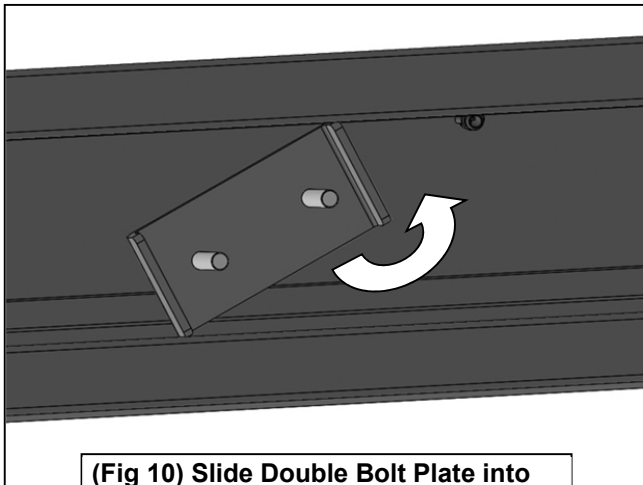


(Fig 8) Attach Passenger/right Rear Mounting Bracket

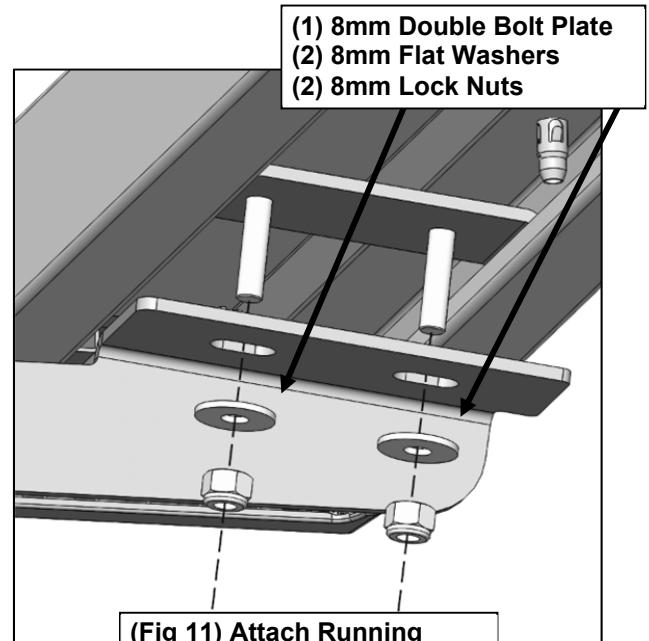


(Fig 9) Passenger/right Rear Mounting Bracket installed

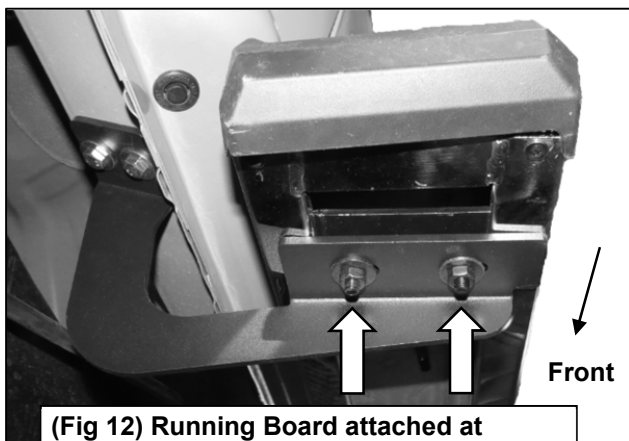
- 2** Follow (Fig 10 – 12) to install the running board. Repeat the following steps on the Driver Side. Ensure hardware is hand tight at this point.



(Fig 10) Slide Double Bolt Plate into channel on bottom of Running Board



(Fig 11) Attach Running Board to Mounting Brackets



(Fig 12) Running Board attached at Passenger/right Rear Mounting Bracket

- 3** Level and straighten running board, then tighten all fasteners. Installation is complete. Do periodic inspections to the installation to make sure that all hardware is secure and tight.



Complete Installation