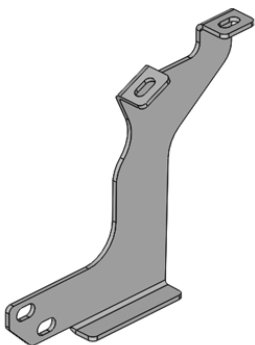
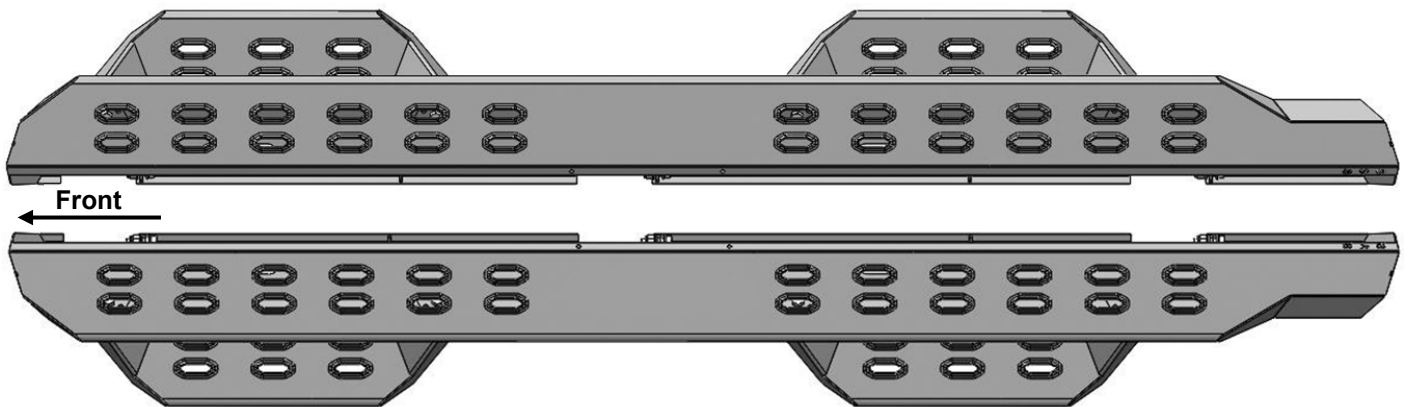


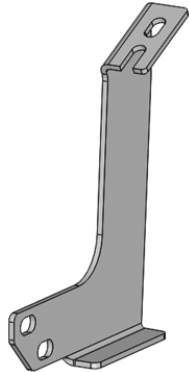
INSTALLATION INSTRUCTIONS

PARTS LIST:

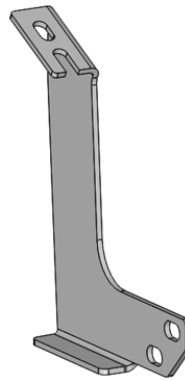
Qty	Item Description	Qty	Item Description
1	Driver/Left Main Tube	12	10mm Nylon Lock Nuts
1	Passenger/Right Main Tube	24	10mm x 20mm x 2mm Flat Washers
4	Drop Steps	12	10-1.50mm x 30mm Hex Bolts
1	Driver/Left Front Mounting Bracket	12	8-1.25mm x 30mm Hex Bolts
1	Passenger/Right Front Mounting Bracket	12	8mm x 24mm x 2mm Flat Washers
2	Driver/Left Center/Rear Mounting Brackets	12	8mm Lock Washers
2	Passenger/Right Center/Rear Mounting Brackets	16	8mm x 22mm x 2mm Flat Washers
8	8mm Triangle Double Bolt Plates	16	8mm Nylon Lock Nuts



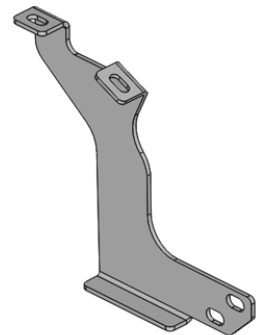
Driver/Left
Front Bracket



Driver/Left Rear
& Center Bracket



Passenger/Right Rear
& Center Bracket



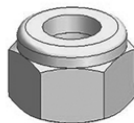
Passenger/Right
Front Bracket



Lock
Washer



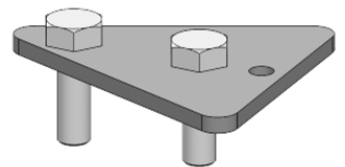
Flat
Washer



Nylon
Lock Nut







Hex Bolt

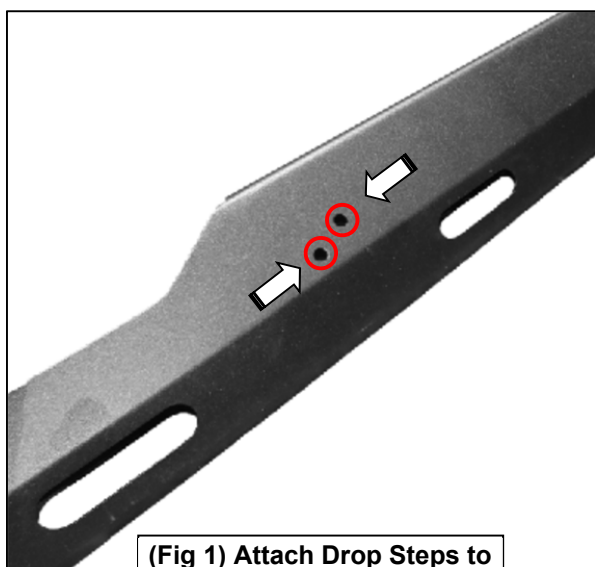


Triangle Double
Bolt Plate

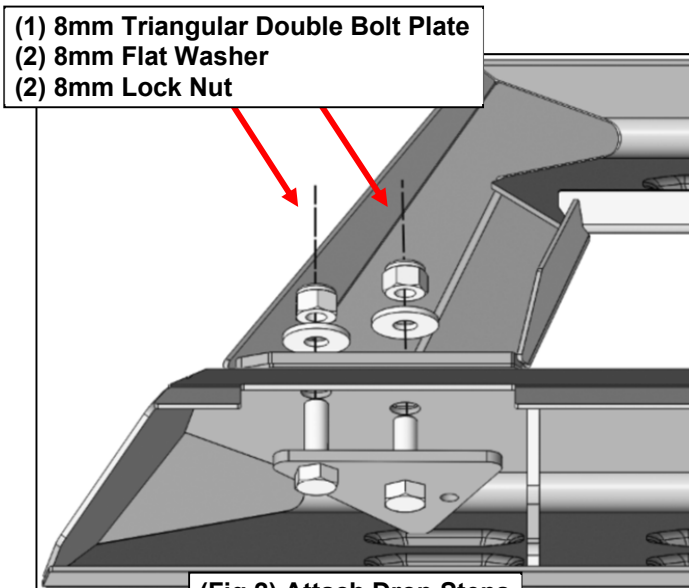
TOOLS REQUIRED

 <p>Ratchet</p>	 <p>13 mm & 16/17 mm Socket</p>	 <p>Extensions</p>	 <p>Wrench</p>
---	---	---	--

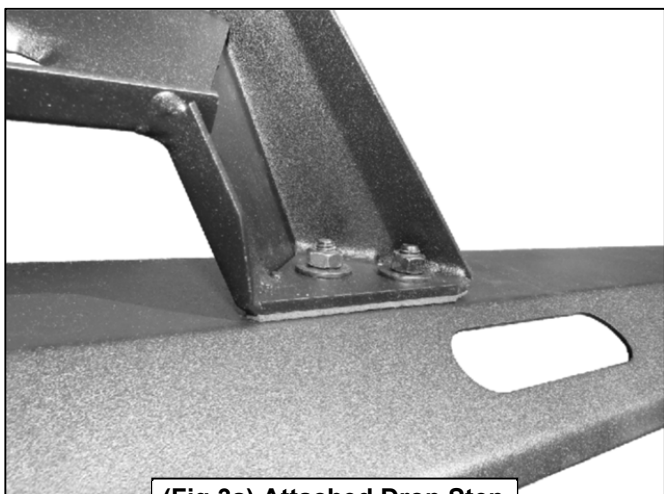
1 Follow (Fig 1 – 3) to attach the Drop Steps to the Passenger/Right Main Tube. Repeat the following steps for remaining Drop Steps on the Driver/Left Main Tube.



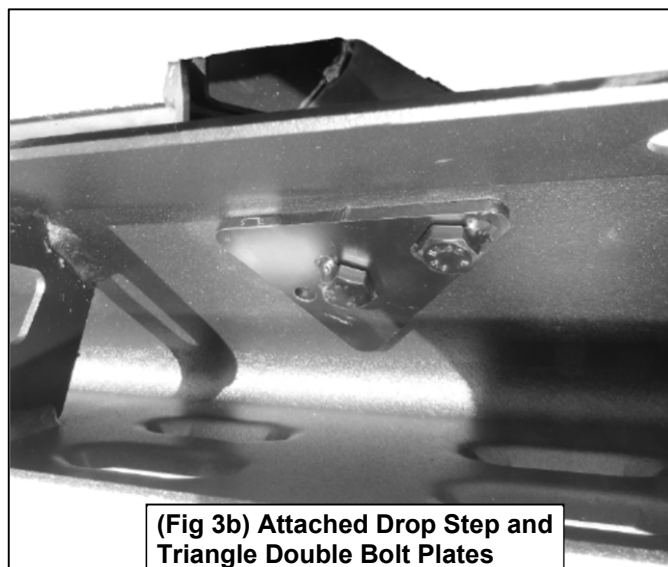
(Fig 1) Attach Drop Steps to Passenger/Right Main Tube



(Fig 2) Attach Drop Steps



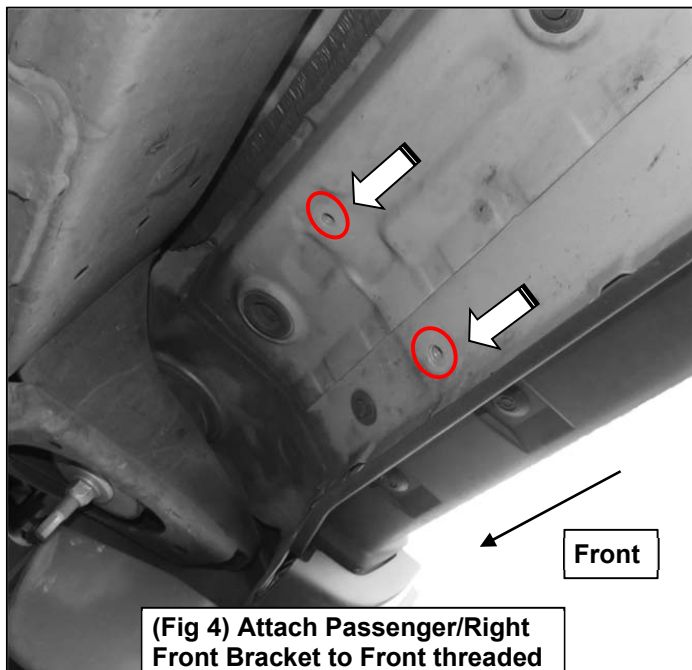
(Fig 3a) Attached Drop Step



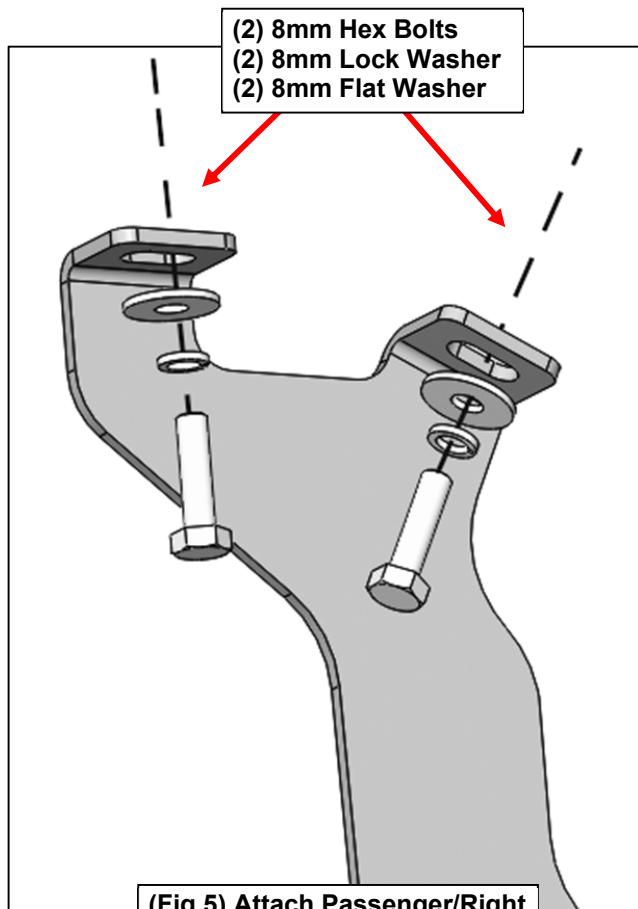
(Fig 3b) Attached Drop Step and Triangle Double Bolt Plates

2

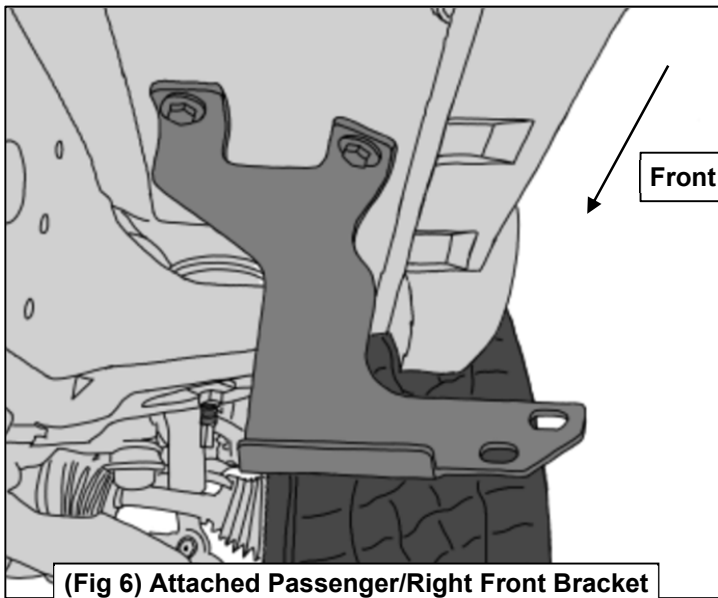
10-13 TOYOTA 4RUNNER SR5, 10-24 4RUNNER LIMITED & 19-22 4RUNNER NIGHTSHADE EDITION
Follow (Fig 4 – 12) to attach the brackets to the Passenger/Right Side. Repeat the following steps on the Driver/Left Side. Ensure fasteners are only hand tight at this point.



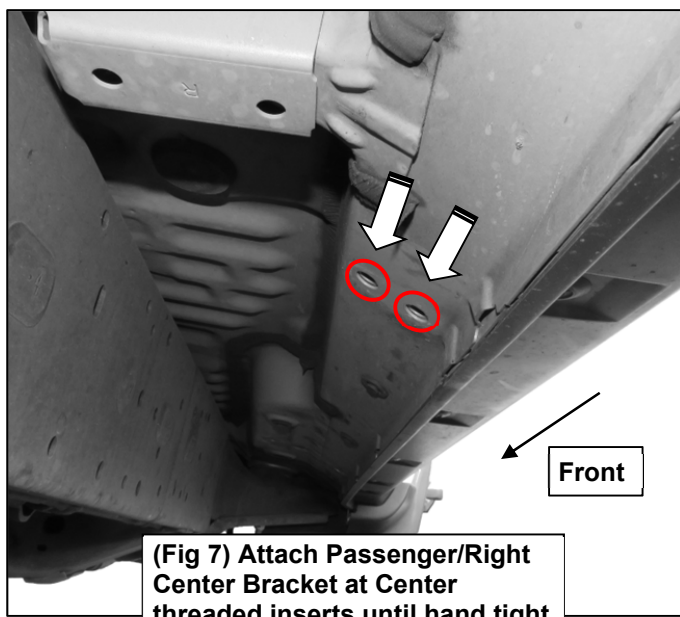
(Fig 4) Attach Passenger/Right Front Bracket to Front threaded inserts until hand tight



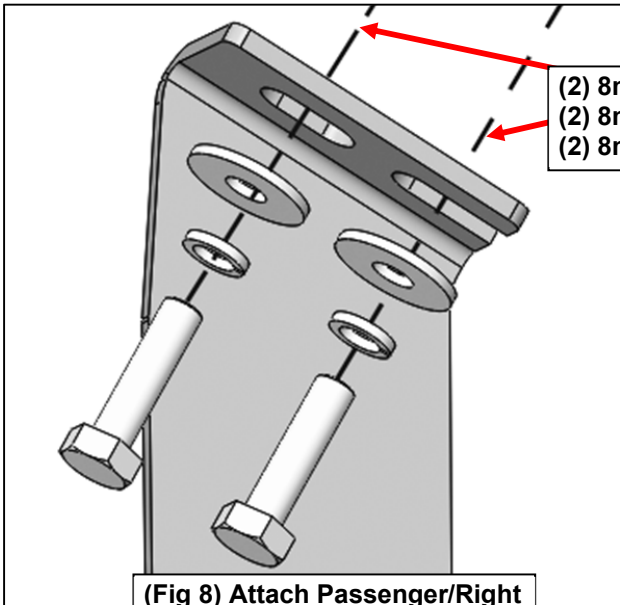
(Fig 5) Attach Passenger/Right Front Bracket



(Fig 6) Attached Passenger/Right Front Bracket

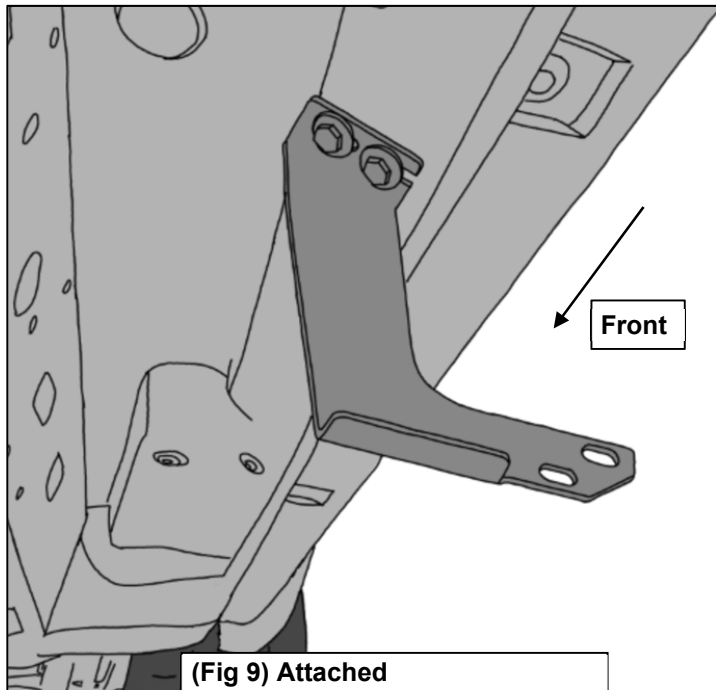


(Fig 7) Attach Passenger/Right Center Bracket at Center threaded inserts until hand tight

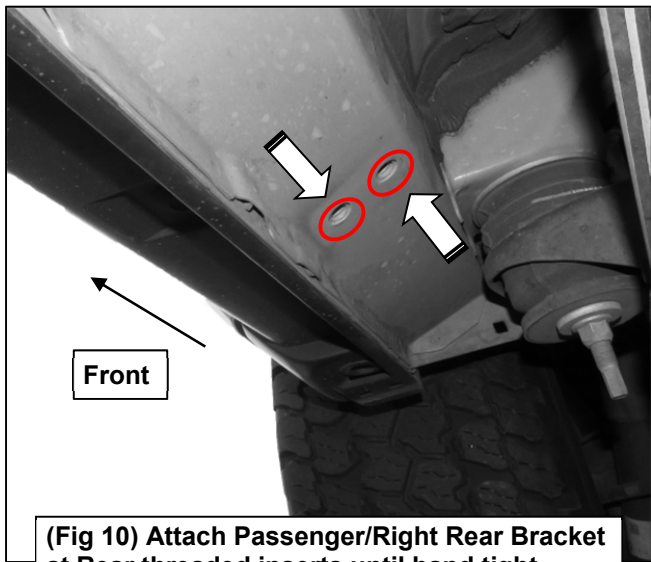


- (2) 8mm Hex Bolts
- (2) 8mm Lock Washer
- (2) 8mm Flat Washer

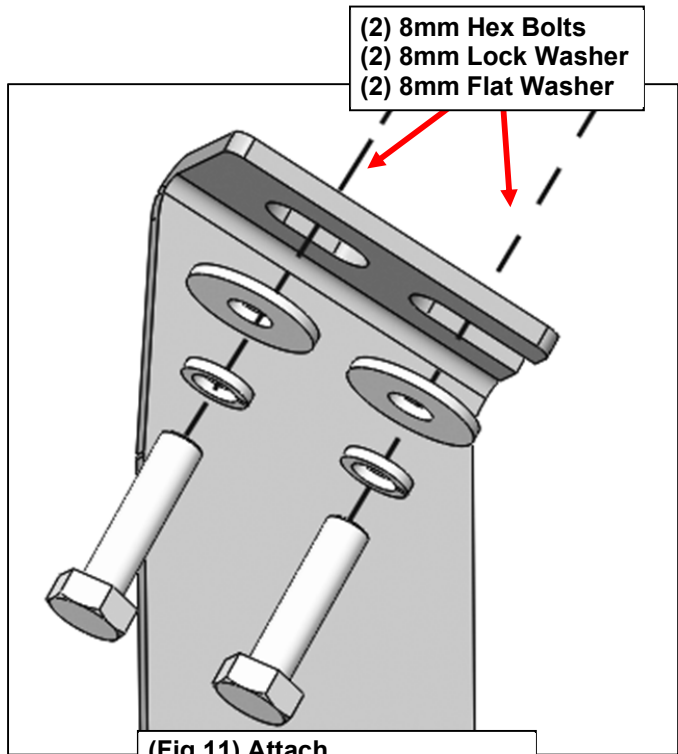
(Fig 8) Attach Passenger/Right Center Bracket



(Fig 9) Attached Passenger/Right Center Bracket

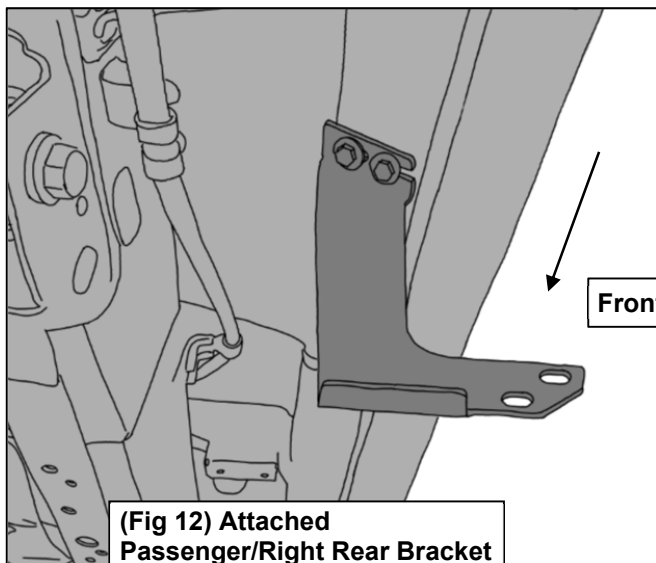


(Fig 10) Attach Passenger/Right Rear Bracket at Rear threaded inserts until hand tight



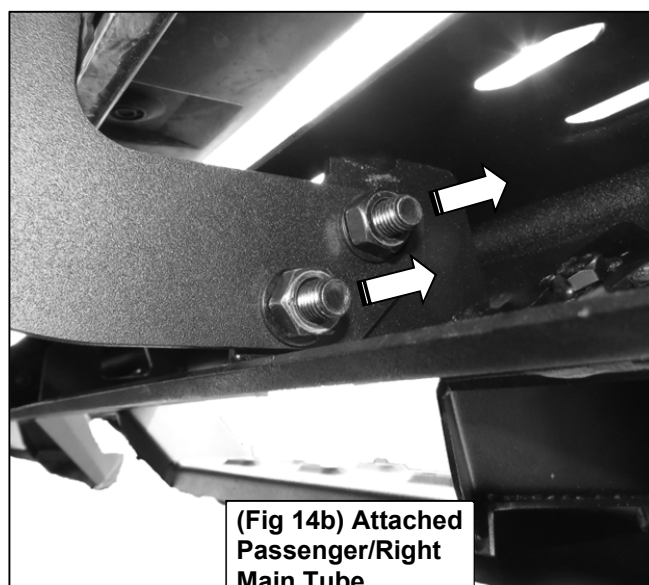
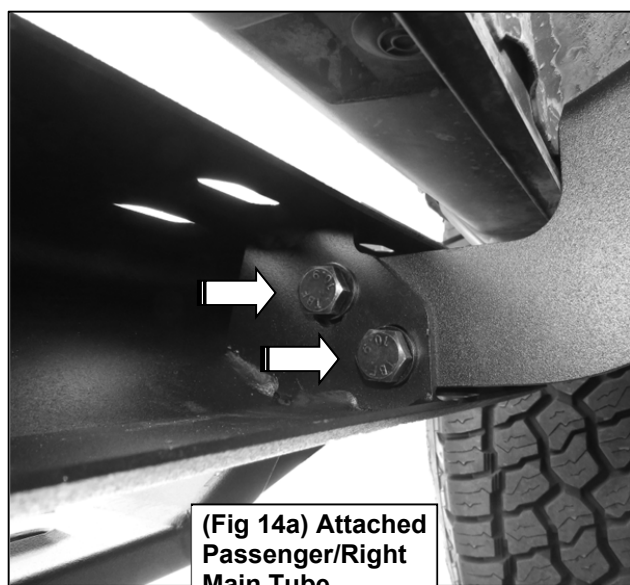
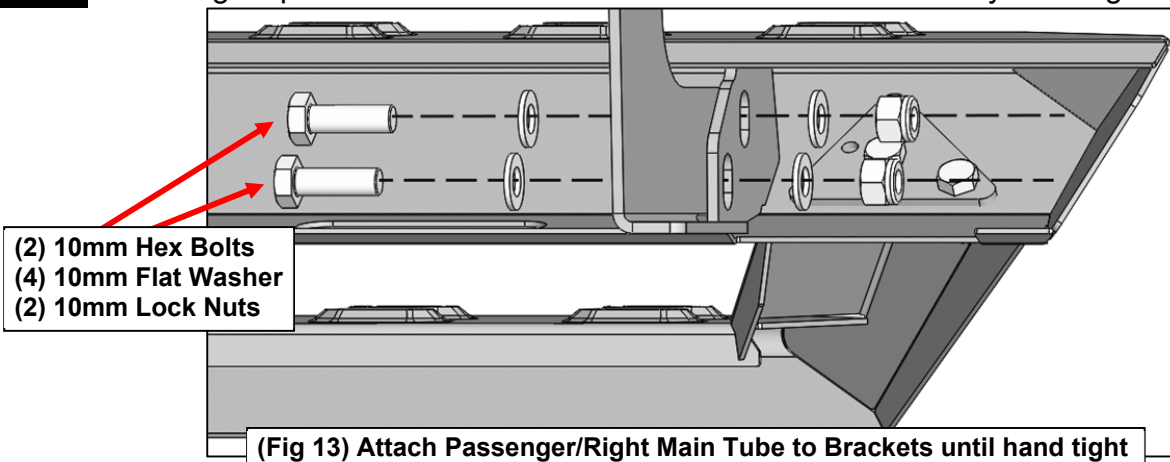
- (2) 8mm Hex Bolts
- (2) 8mm Lock Washer
- (2) 8mm Flat Washer

(Fig 11) Attach Passenger/Right Rear Bracket



(Fig 12) Attached Passenger/Right Rear Bracket

3 Follow (Fig 13-14) to install the Main Tube to the Passenger/Right Side Brackets. Repeat the following steps on the Driver/Left Side. Ensure fasteners are only hand tight at this point.



4 At this point, ensure Drop Step is level, then tighten all fasteners. Installation is complete. Do periodic inspections to the installation to make sure that all hardware is secure and tight.

