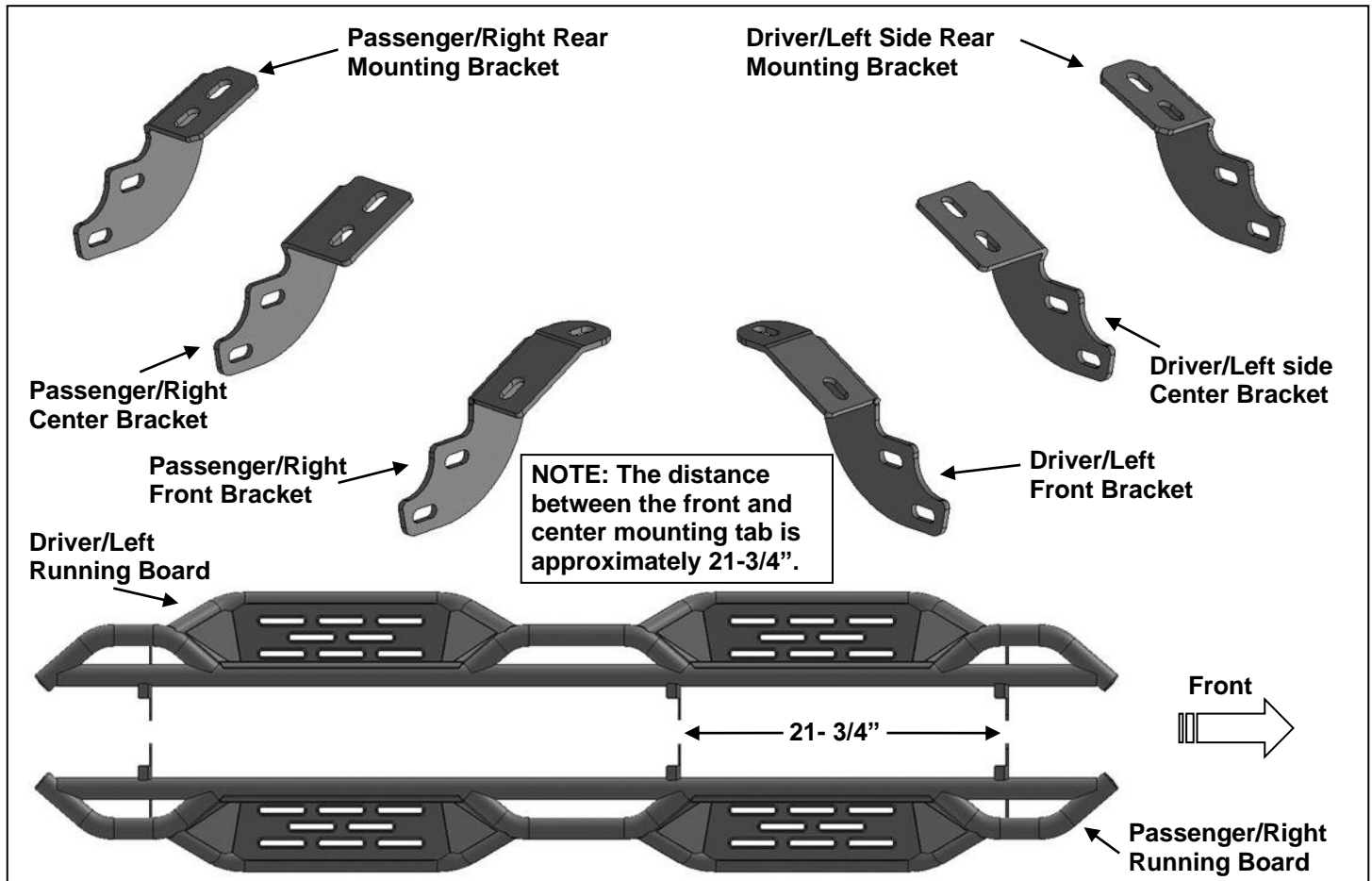


**PARTS LIST:**

1	Driver/left side Running Board	1	Passenger/right Rear Mounting Bracket
1	Passenger/right side Running Board	12	8mm x 30mm Hex Bolts
1	Driver/left Front Mounting Bracket	12	8mm Lock Washers
1	Passenger/right Front Mounting Bracket	12	8mm x 24mm x 2mm Flat Washers
1	Driver/left Center Mounting Bracket	12	10mm x 35mm Hex Bolts
1	Passenger/right Center Mounting Bracket	24	10mm x 27mm x 3mm Flat Washers
1	Driver/left Rear Mounting Bracket	12	10mm Nylon Lock Nuts



**PROCEDURE:**

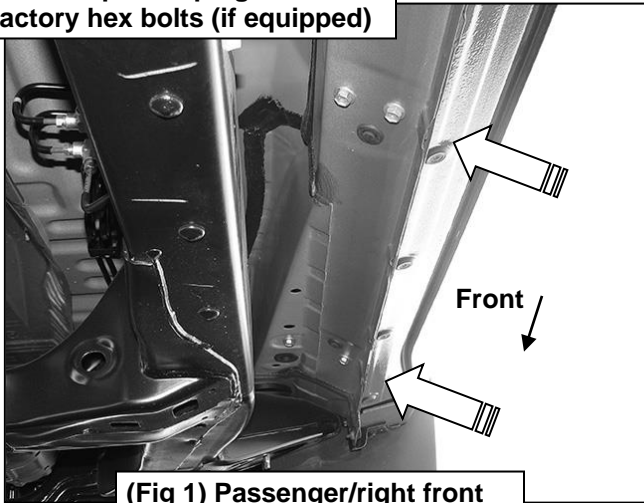
- 1. REMOVE CONTENTS FROM BOX. VERIFY ALL PARTS ARE PRESENT. READ INSTRUCTIONS CAREFULLY. USE ILLUSTRATION TO IDENTIFY BRACKETS AND RUNNING BOARDS.**
- Starting on the passenger side, front of the vehicle, remove the plastic plugs or hex bolts covering the (2) threaded holes in the body panel, **(Figures 1 & 2)**. Select the passenger side front Mounting Bracket, **(Figure 3)**. Attach the Bracket to the vehicle using the included (2) 8mm Hex Bolts, (2) 8mm Lock Washers and (2) 8mm Flat Washers, **(Figure 4)**. Do not tighten hardware at this time.
- Move to the next (2nd) mounting location, **(Figure 1)**. **NOTE:** The Tundra has (4) mounting locations along the bottom of the body. **Installation will use the 1st, 2nd and 4th mounting locations only for the Running Board Brackets.**
- Select the passenger side center Mounting Bracket, **(Figures 5 & 6)**. **IMPORTANT:** The Center and Rear Brackets look similar but each one is unique. Use the illustration above and **Figure 5** to help identify each Bracket. Repeat **Step 2** to install the center Mounting Bracket, **(Figures 6 & 7)**.
- Continue to the last mounting location at the back of the cab, **(Figure 8)**. Repeat **Step 2** to install the passenger side rear Bracket, **(Figure 9)**.
- Once all (3) Brackets have been fully installed, carefully unwrap the passenger/right Running Board. **NOTE:** Use the illustration above to properly identify the passenger/right side Running Board.

7. With assistance, attach the passenger/right Running Board to the front facing side of the Brackets with the included (6) 10mm Hex Bolts, (12) 10mm Flat Washers and (6) 10mm Nylon Lock Nuts, **(Figures 10—12)**. Do not tighten at this time.
8. Level and adjust the Running Board as desired and tighten all hardware.
9. Repeat **Steps 2—8** for driver side Running Board installation.
10. Do periodic inspections to the installation to make sure that all hardware is secure and tight.

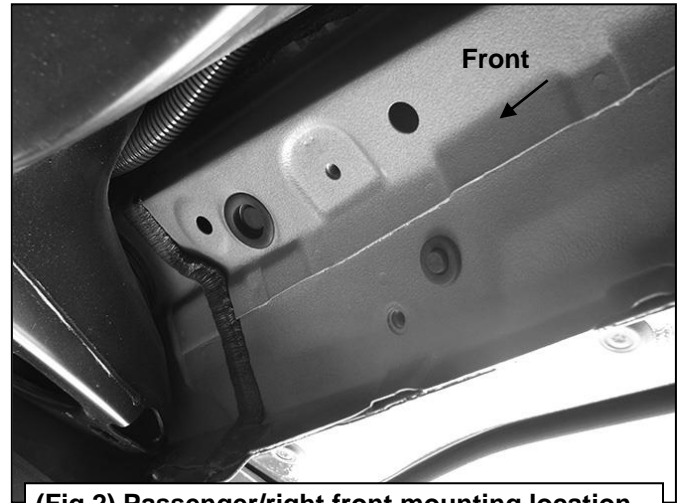
**To protect your investment**, wax this product after installing. Regular waxing is recommended to add a protective layer over the finish. Do not use any type of polish or wax that may contain abrasives that could damage the finish. Mild soap may be used to clean the Running Board.

### Passenger Side Installation Pictured

Remove plastic plugs or factory hex bolts (if equipped)

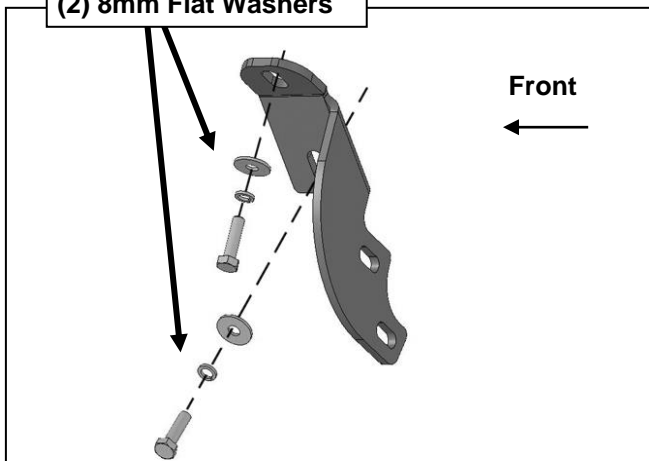


(Fig 1) Passenger/right front and center mounting location

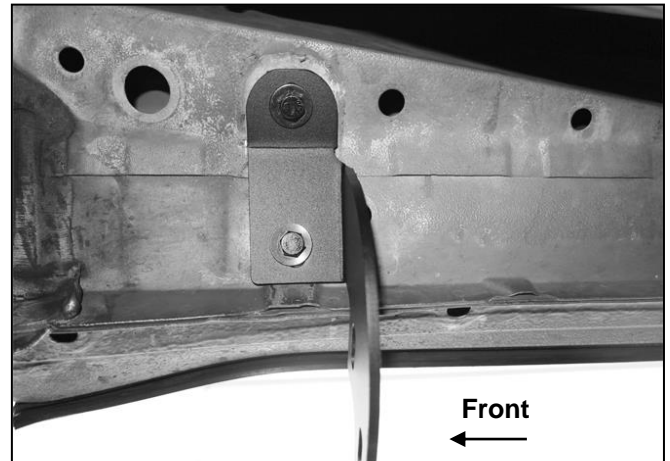


(Fig 2) Passenger/right front mounting location

(2) 8mm Hex Bolts  
(2) 8mm Lock Washers  
(2) 8mm Flat Washers

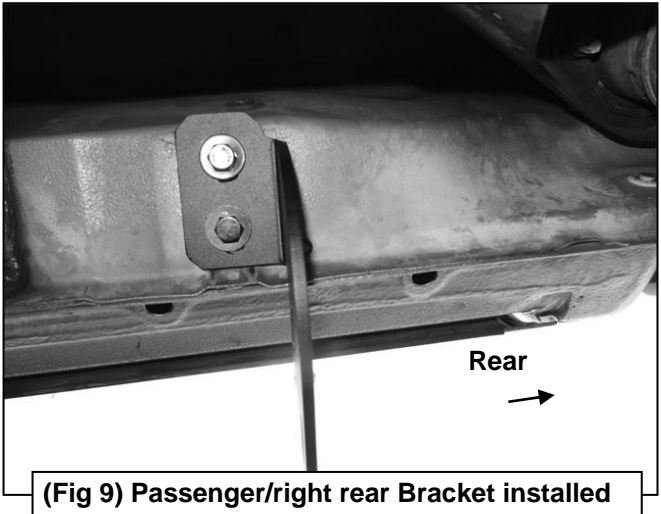
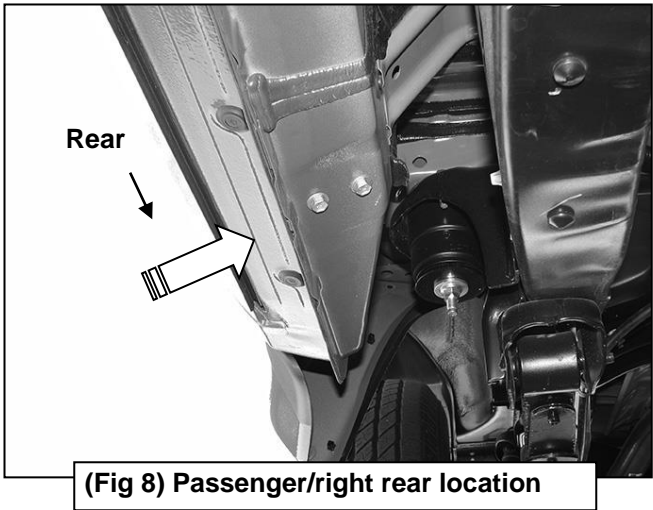
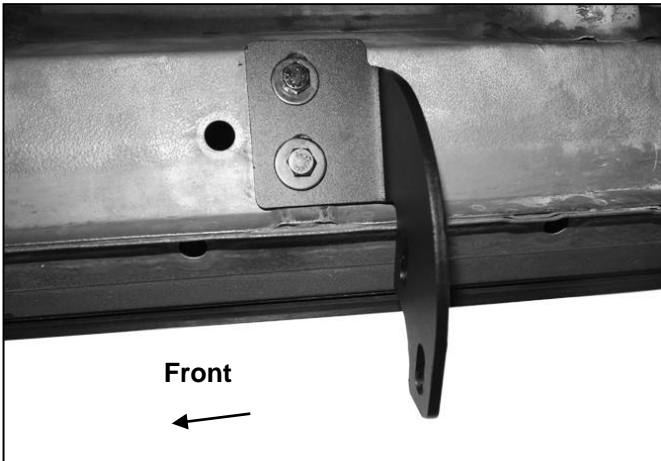
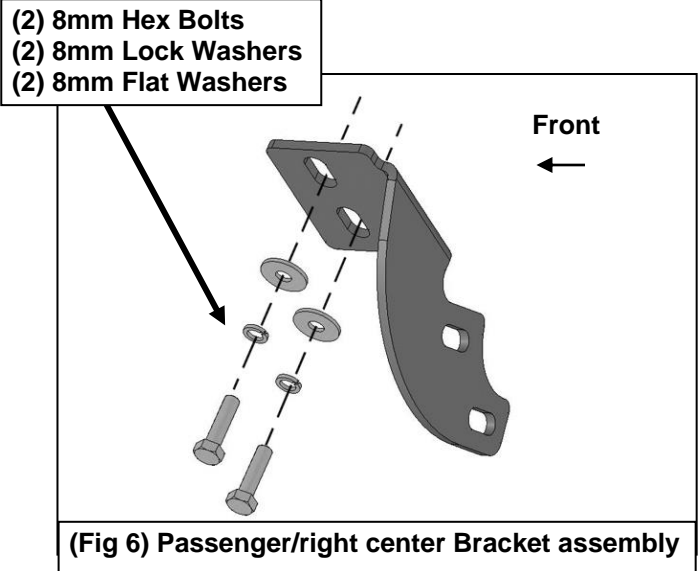
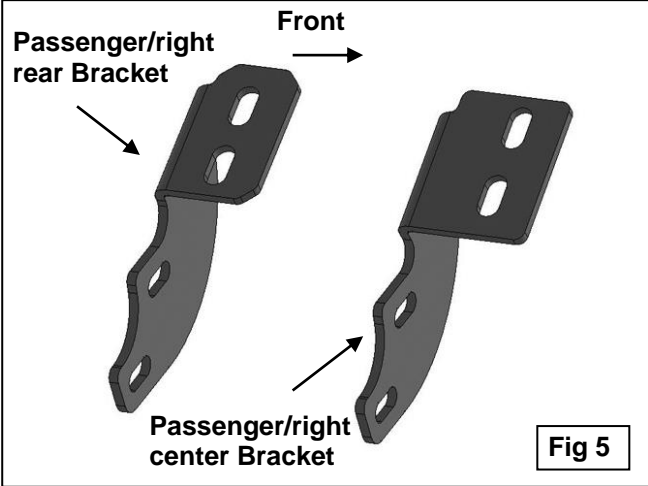


(Fig 3) Passenger/right front Bracket assembly

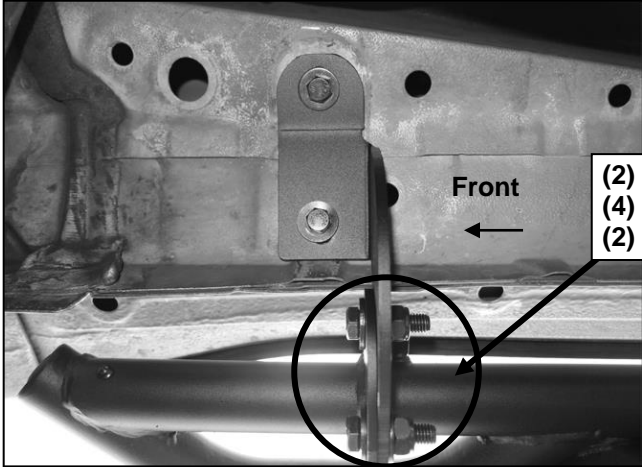


(Fig 4) Passenger/right front Bracket installed

**Passenger Side Installation Pictured**

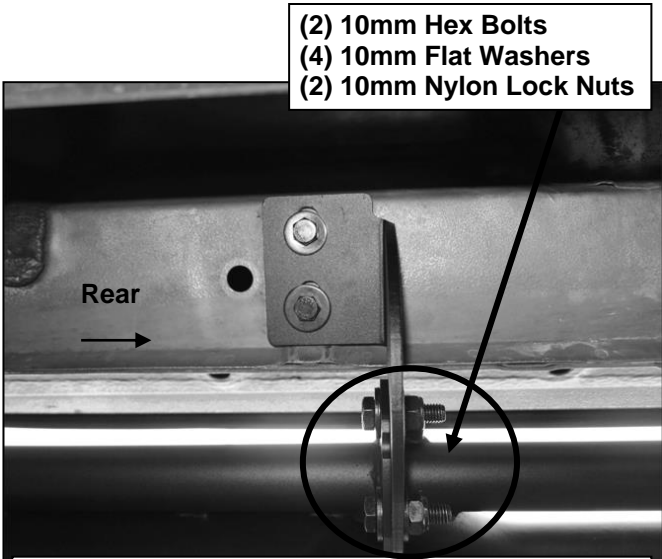


**Passenger Side Installation Pictured**



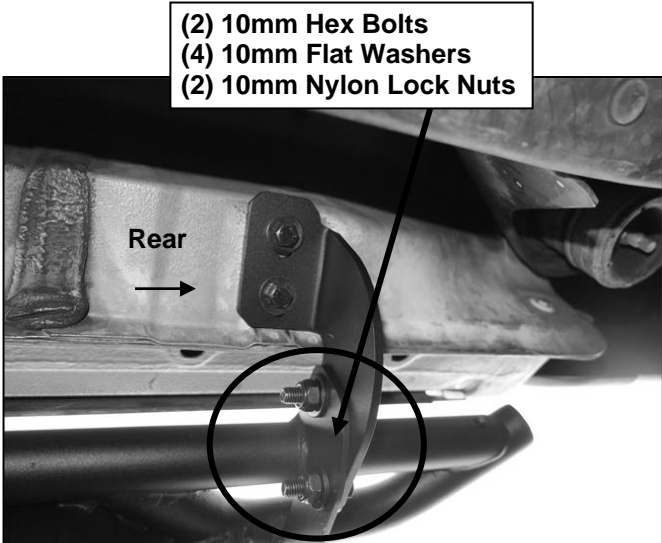
- (2) 10mm Hex Bolts
- (4) 10mm Flat Washers
- (2) 10mm Nylon Lock Nuts

**(Fig 10) Passenger side Running Board attached to the front facing side of the front Bracket**



- (2) 10mm Hex Bolts
- (4) 10mm Flat Washers
- (2) 10mm Nylon Lock Nuts

**(Fig 11) Passenger side Running Board attached to the front facing side of the center Bracket**



- (2) 10mm Hex Bolts
- (4) 10mm Flat Washers
- (2) 10mm Nylon Lock Nuts

**(Fig 12) Passenger side Running Board attached to the front facing side of the rear Bracket**

