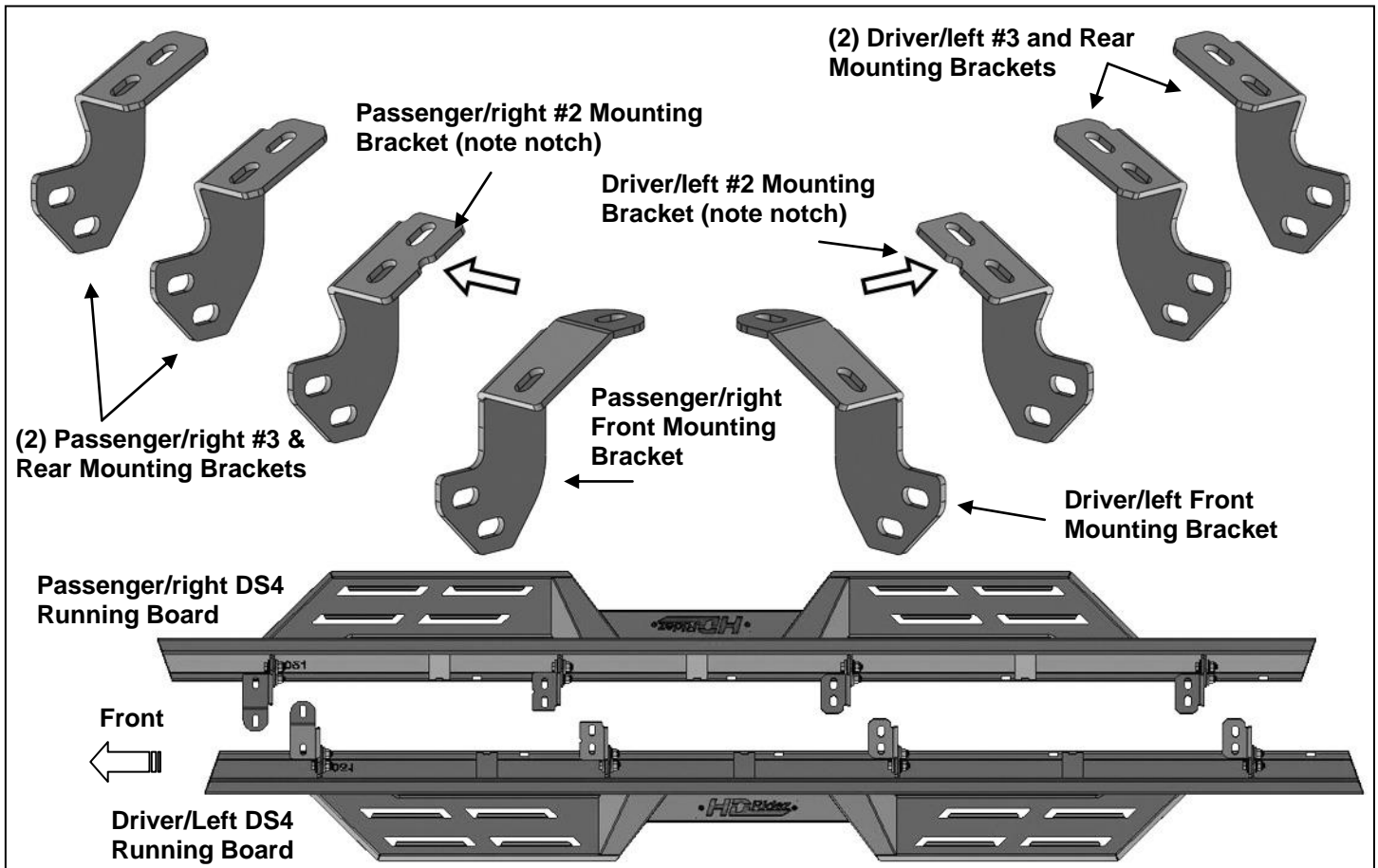


**PARTS LIST:**

1	Driver/Left DS4 Running Board	16	10mm x 35mm Hex Bolts
1	Passenger/Right DS4 Running Board	32	10mm x 27mm OD x 3mm Flat Washers
1	Driver/Left Front Mounting Bracket	16	10mm Nylon Lock Nuts
1	Passenger/Right Front Mounting Bracket	16	8mm x 30mm Hex Bolts
1	Driver/Left #2 Mounting Bracket	16	8mm Lock Washers
1	Passenger/Right #2 Mounting Bracket	16	8mm x 24mm OD x 2mm Flat Washers
2	Driver/Left #3 & Rear Mounting Brackets		
2	Passenger/Right #3 & Rear Mounting Brackets		



**PROCEDURE:**

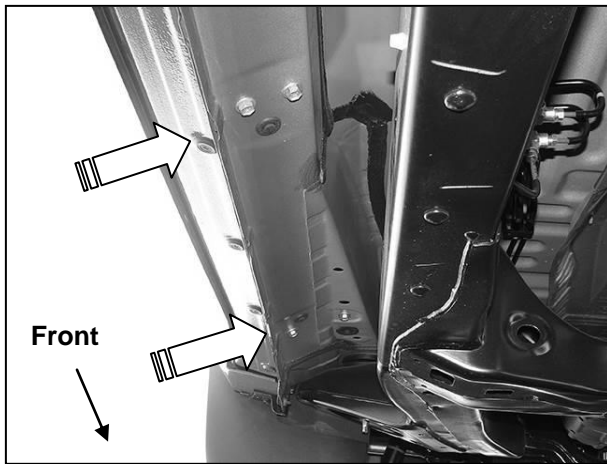
1. REMOVE CONTENTS FROM BOX. VERIFY ALL PARTS ARE PRESENT. READ INSTRUCTIONS CAREFULLY. USE ILLUSTRATION TO IDENTIFY BRACKETS AND RUNNING BOARDS.
2. Starting on the driver/left front of the vehicle, remove the plastic plugs or hex bolts covering the (2) threaded holes in the floor panel, (Figures 1 & 2).
3. Select driver/left Front Mounting Bracket, (Figure 3). Attach the Bracket to the panel with (2) 8mm Hex Bolts, (2) 8mm Lock Washers and (2) 8mm Flat Washers, (Figure 3). Do not tighten hardware.
4. Next, move to the second mounting location, (Figure 4). Select the #2 Mounting Bracket. **Note notch on top of Bracket for identification purposes.** Repeat Step 3 to attach the Bracket to the #2 mounting location, (Figure 4). **IMPORTANT:** The Mounting Brackets look similar but there are differences and Brackets must be installed in the correct location.
5. Move on to the #3 mounting location, (Figure 6). Repeat Step 3 to attach (1) #3 & Rear Mounting Bracket to the floor panel, (Figure 8).
6. Continue to the rear mounting location, (Figure 7). Repeat Step 3 to attach (1) #3 & Rear Mounting Bracket to the floor panel, (Figure 8). **NOTE:** #3 and Rear Brackets are identical.

7. Select the driver/left DS4 Running Board. Attach the Running Board to the rear facing side of the Mounting Brackets with (8) 10mm Hex Bolts, (16) 10mm Flat Washers and (8) 10mm Nylon Lock Nuts, **(Figures 9—11)**. Do not tighten hardware.
8. Level and adjust the DS4 Running Board and tighten all hardware.
9. Repeat **Steps 2—8** to attach the passenger/right DS4 Running Board.
10. Do periodic inspections to the installation to make sure that all hardware is secure and tight.

**To protect your investment**, Do not use any type of polish or wax that may contain abrasives that could damage the finish. Mild soap may be used to clean the Running Boards.

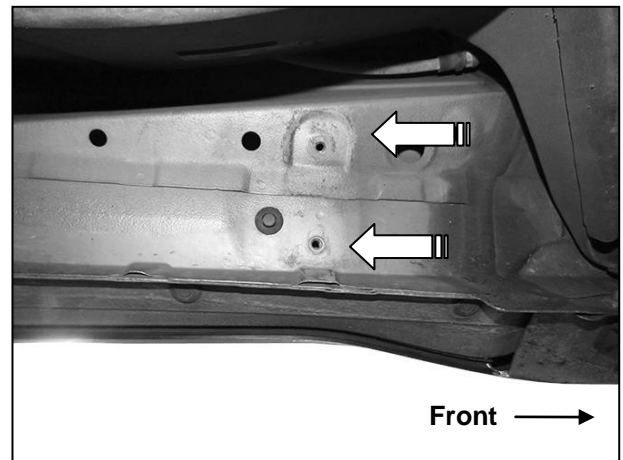
### Driver/Left Side Installation Pictured

Remove plastic plugs or factory hex bolts (if equipped)



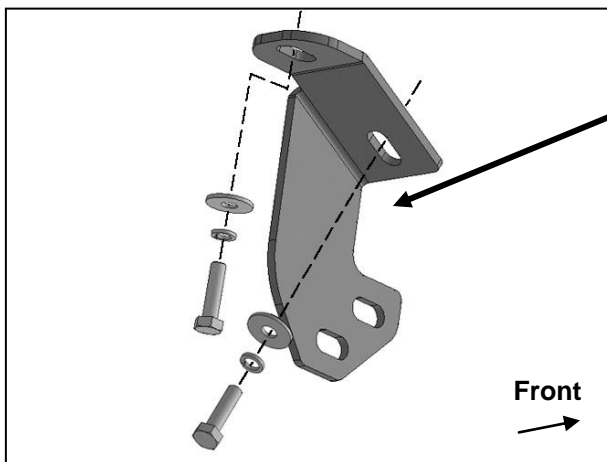
(Fig 1) Driver/left front and #2 mounting locations

Remove plastic plugs or factory hex bolts (if equipped)

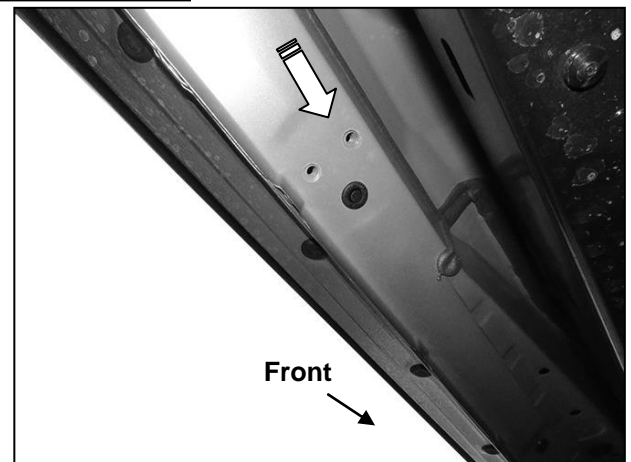


(Fig 2) Driver/left front mounting location

(2) 8mm Hex Bolts  
(2) 8mm Lock Washers  
(2) 8mm Flat Washers

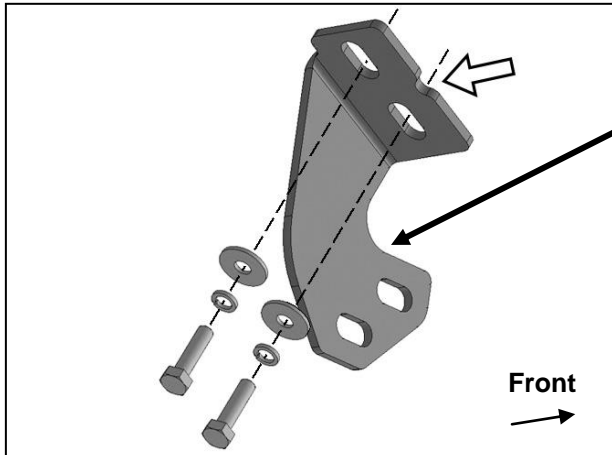


(Fig 3) Attach Driver/Left Front Mounting Bracket to the floor panel



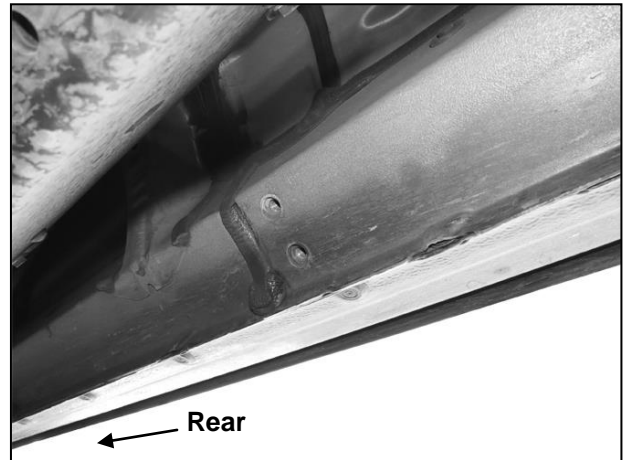
(Fig 4) Driver/left #2 mounting location (arrow)

**Driver/Left Side Installation Pictured**

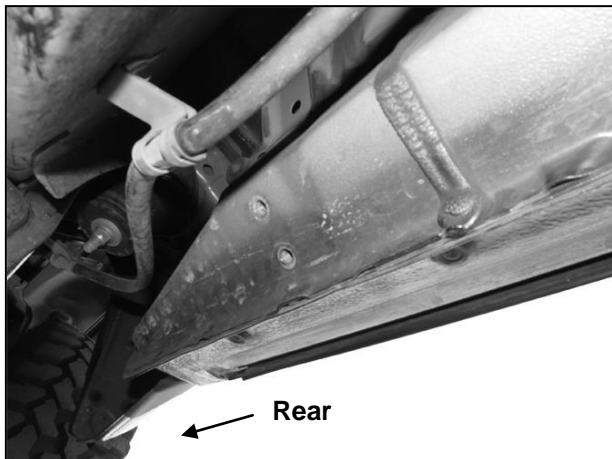


- (2) 8mm Hex Bolts
- (2) 8mm Lock Washers
- (2) 8mm Flat Washers

**(Fig 5) Attach driver/left #2 Mounting Bracket to the floor panel. Note notch for identification purposes (arrow)**

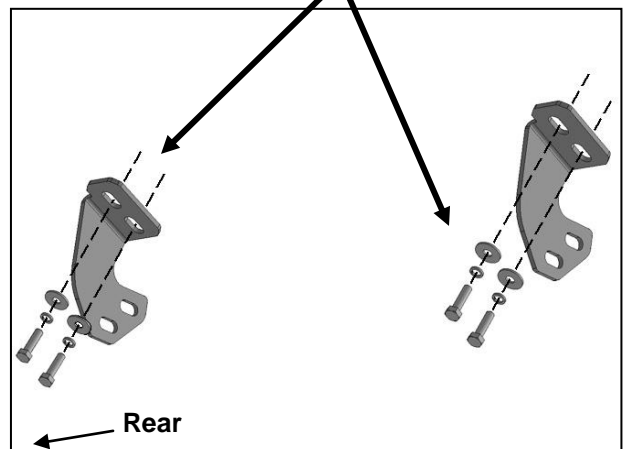


**(Fig 6) Driver/left #3 mounting location**



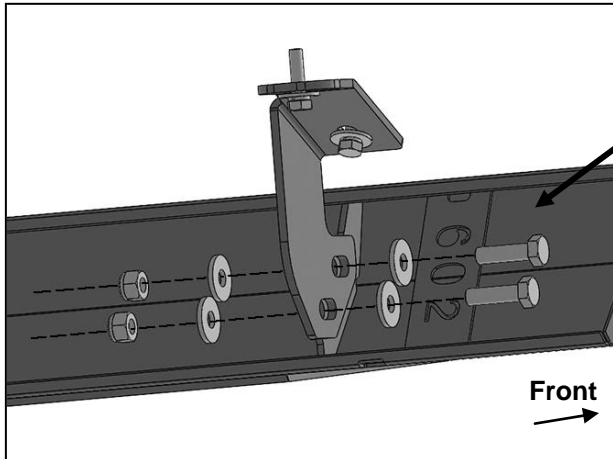
**(Fig 7) Driver/left rear mounting location**

- (2) 8mm Hex Bolts
- (2) 8mm Lock Washers
- (2) 8mm Flat Washers



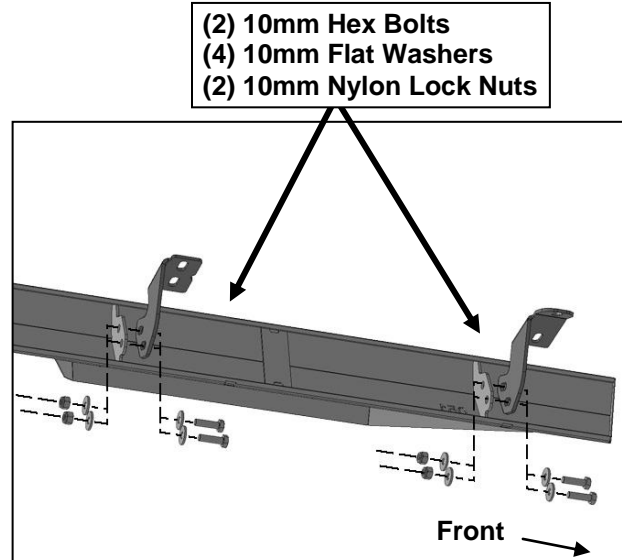
**(Fig 8) Attach the #3 and rear Brackets to the threaded holes in the floor panel. NOTE: #3 and rear Brackets are identical**

### Driver/Left Side Installation Pictured



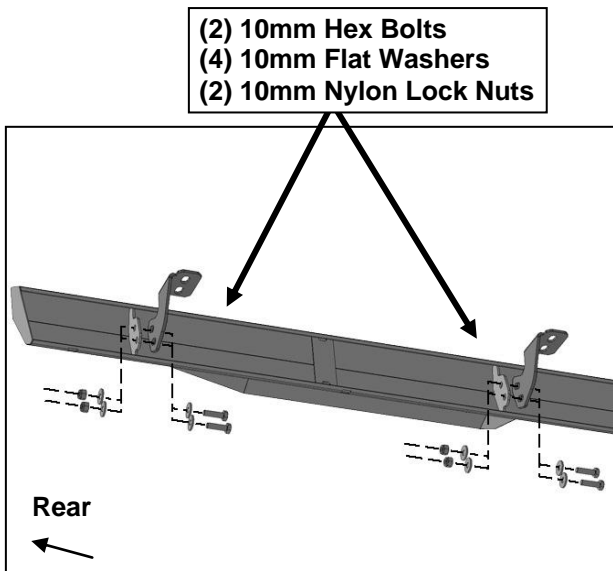
(2) 10mm Hex Bolts  
(4) 10mm Flat Washers  
(2) 10mm Nylon Lock Nuts

(Fig 9) Attach the tabs on the driver/left DS4 Running Board to the rear facing side of the (4) Mounting Brackets. Driver/left front installation illustrated



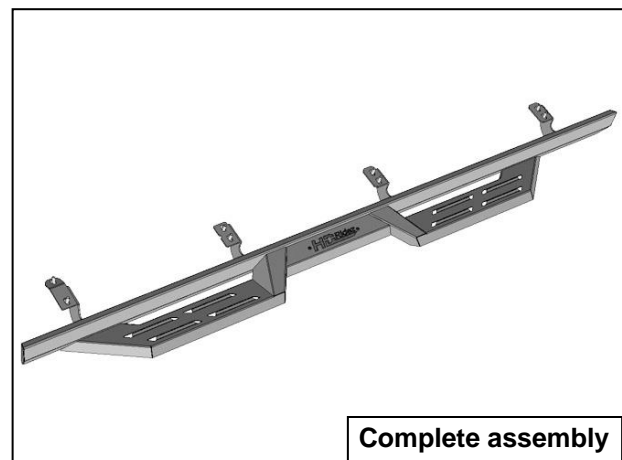
(2) 10mm Hex Bolts  
(4) 10mm Flat Washers  
(2) 10mm Nylon Lock Nuts

(Fig 10) Attach the tabs on the driver/left DS4 Running Board to the rear facing side of the (4) Mounting Brackets. Driver/left front and #2 Bracket installation illustrated



(2) 10mm Hex Bolts  
(4) 10mm Flat Washers  
(2) 10mm Nylon Lock Nuts

(Fig 11) Attach the tabs on the driver/left DS4 Running Board to the rear facing side of the (4) Mounting Brackets. Driver/left #3 and rear Bracket installation illustrated



Complete assembly