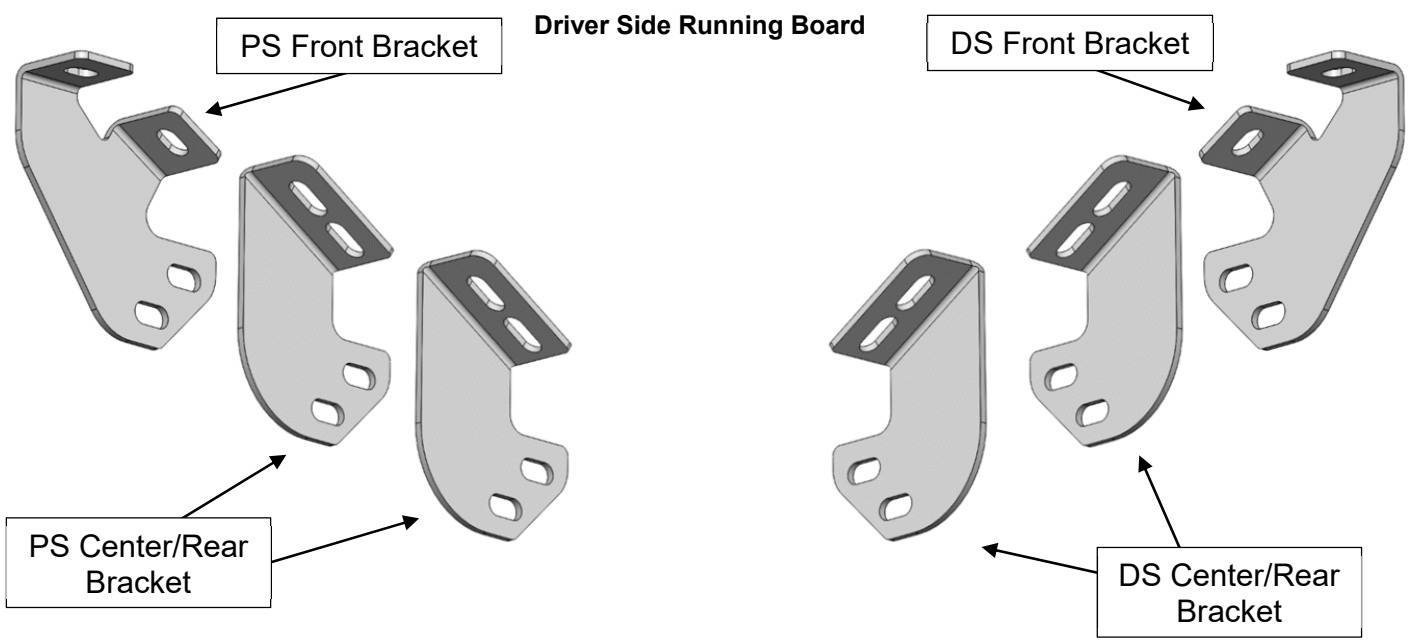
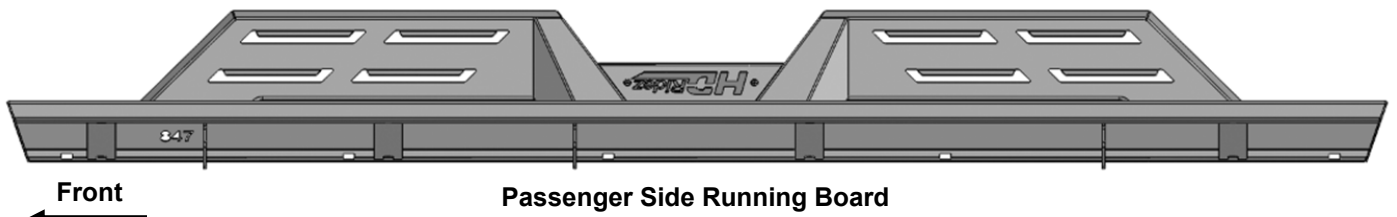


Installation Instructions

PARTS LIST:

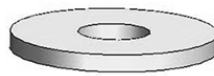
Qty	Item Description	Qty	Item Description
1	Driver/Left DS4 Running Board	12	10mm Nylon Lock Nuts
1	Passenger/Right DS4 Running Board	24	10mm x 20mm OD x 2mm Flat Washers
1	Driver/Left Front Mounting Bracket	12	10mm x 30mm Hex Bolts
1	Passenger/Right Front Mounting Bracket	12	8mm x 30mm Hex Bolts
2	Driver/Left Center/Rear Mounting Bracket	12	8mm Lock Washers
2	Passenger/Right Center/Rear Mounting Bracket	12	8mm x 24mm OD x 2mm Flat Washers



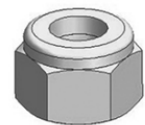
Hex Bolt



Lock Washer

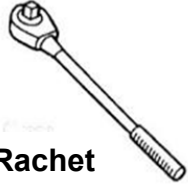


Flat Washer

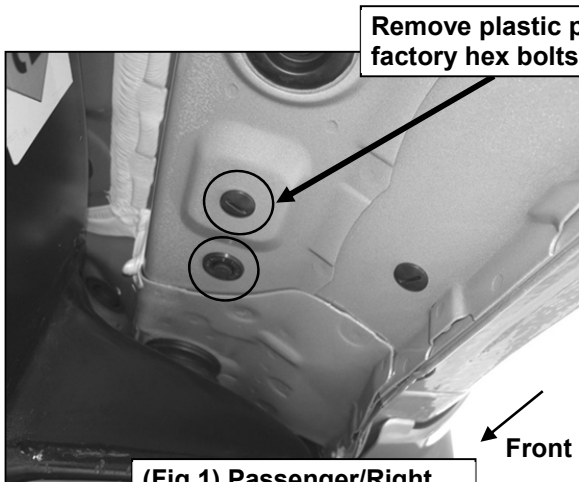


Lock Nut

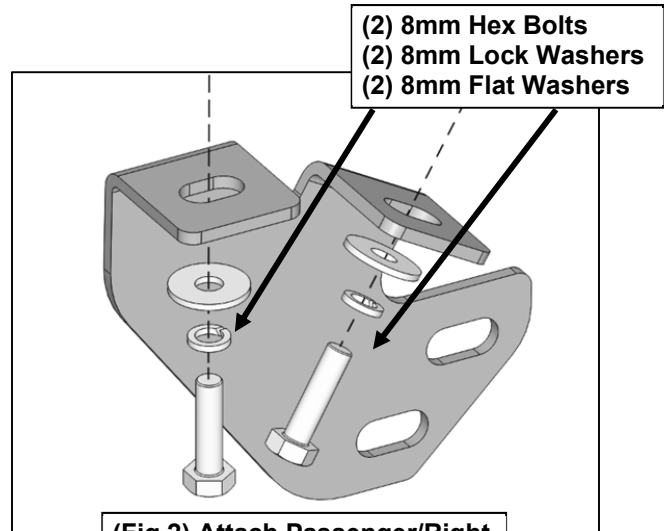
TOOLS REQUIRED



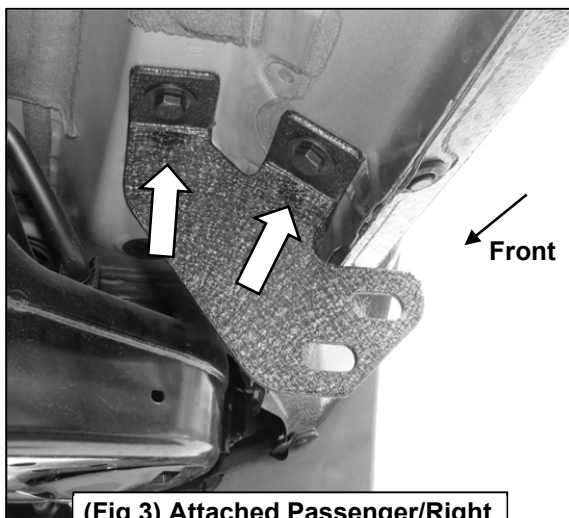
1 Follow (Fig 1 – 9) to attach the brackets to the Passenger Side. Repeat the following steps on the Driver Side. Ensure all hardware is hand tight at this point.



(Fig 1) Passenger/Right Front Mounting Location

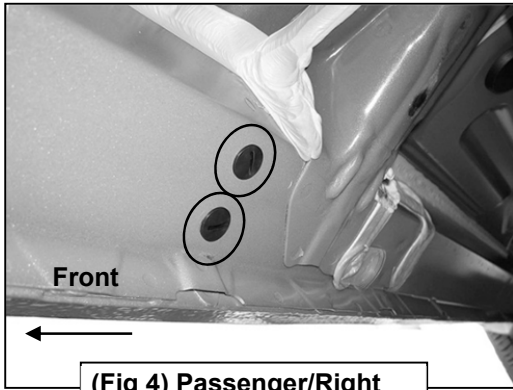


(Fig 2) Attach Passenger/Right Front Mounting Bracket

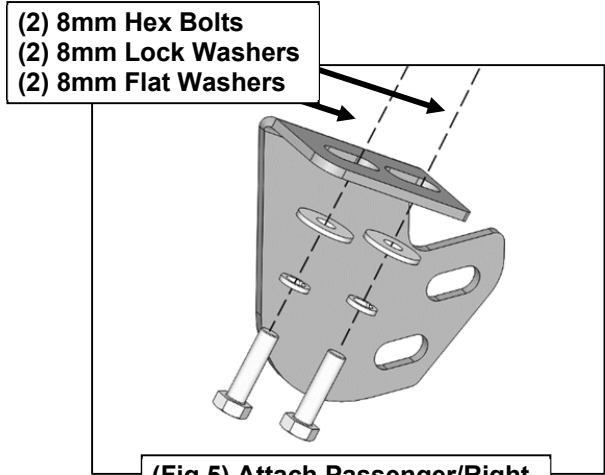


(Fig 3) Attached Passenger/Right Front Mounting Bracket

**DS4 Running Board
24 Toyota Tacoma Double Cab**



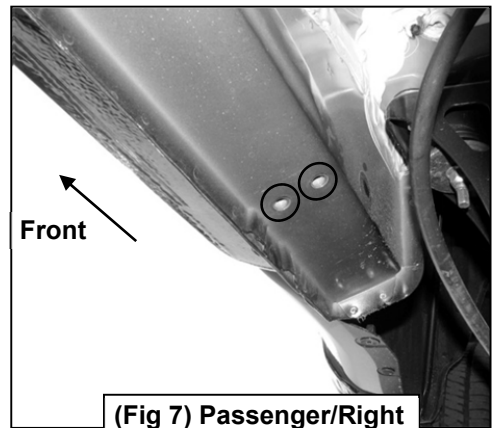
(Fig 4) Passenger/Right Center Mounting Location



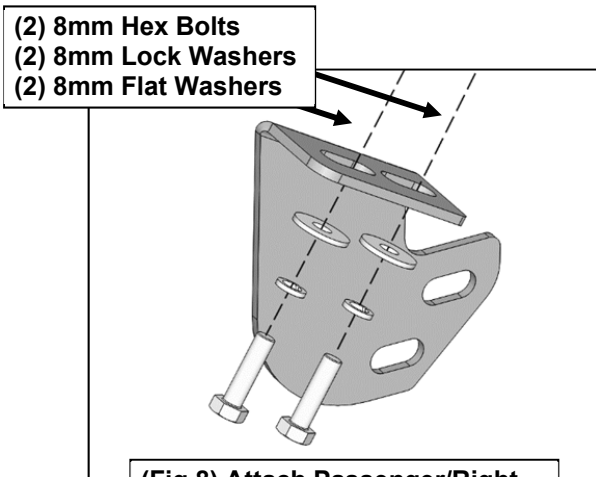
(Fig 5) Attach Passenger/Right Center/Rear Mounting Brackets to Center Mounting Location



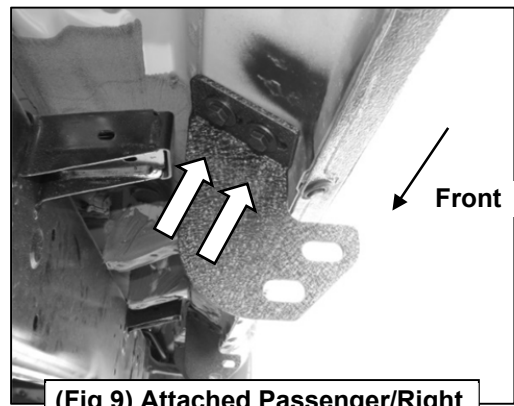
(Fig 6) Attached Passenger/Right Center Mounting Bracket



(Fig 7) Passenger/Right Rear mounting location

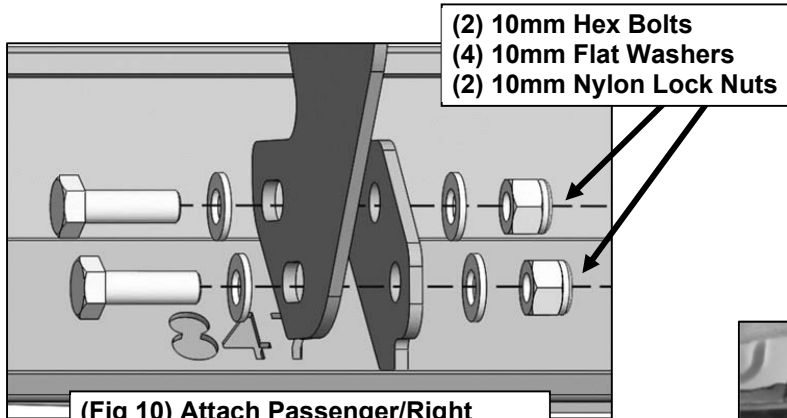


(Fig 8) Attach Passenger/Right Center/Rear Mounting Brackets to Rear Mounting Locations

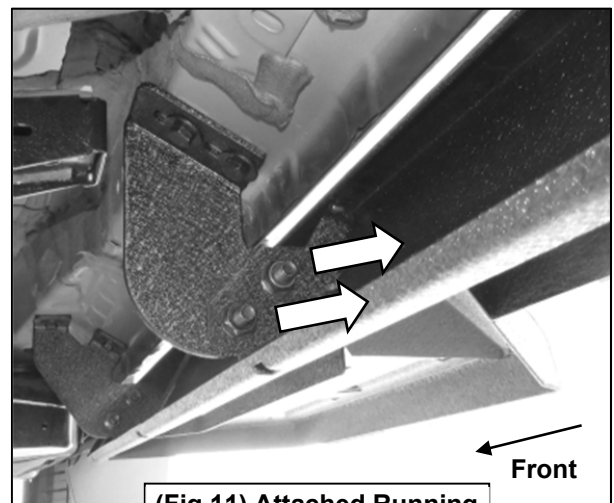


(Fig 9) Attached Passenger/Right Rear Mounting Bracket

- 2** Follow (Fig 10 – 11) to attach the brackets to the Passenger Side. Repeat the following steps on the Driver Side. Ensure all hardware is hand tight at this point



(Fig 10) Attach Passenger/Right Running Board to each Passenger/Right Mounting Brackets



(Fig 11) Attached Running Board at Center Bracket

- 3** Ensure Running Board is level, then tighten all fasteners. Installation is complete. Do periodic inspections to the installation to make sure that all hardware is secure and tight

