

Installation Instructions

PARTS LIST:

Qty	Item Description	Qty	Item Description
1	Driver/Left Side Running Board	1	Driver/Left Side Rear Mounting Bracket
1	Passenger/Right Side Running Board	1	Passenger/Right Side Rear Mounting Bracket
1	Driver/Left Side Front Mounting Bracket	12	8-1.25mm x 25mm Combo Bolts
1	Passenger/Right Side Front Mounting Bracket	12	8-1.25mm x 30mm Hex Bolts
1	Driver/Left Side Center Mounting Bracket	12	8mm Lock Washers
1	Passenger/Right Side Center Mounting Bracket	12	8mm x 24mm x 2mm Flat Washers



Passenger/Right Running Board



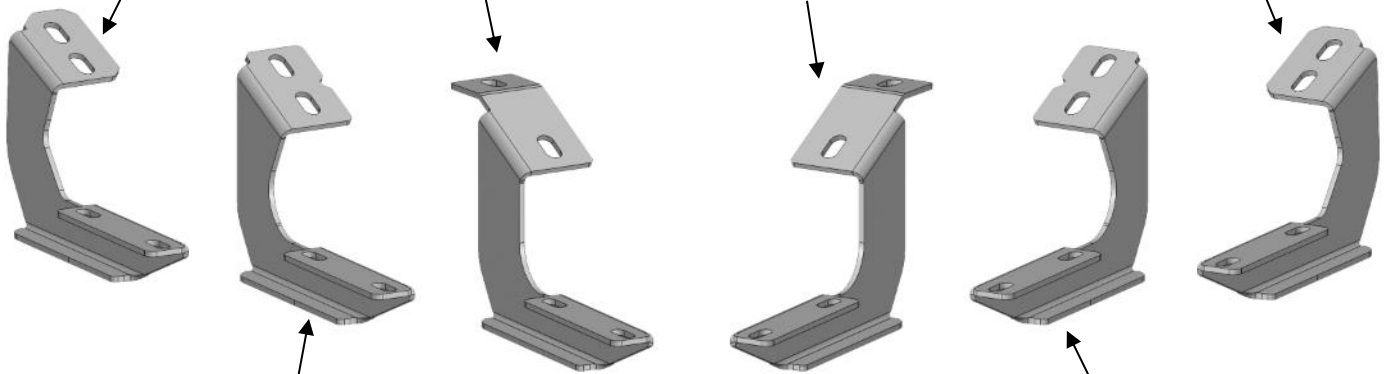
Driver/Left Running Board

Passenger/Right Rear Mounting Bracket

Passenger/Right Front Mounting Bracket

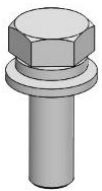
Driver/Left Front Mounting Bracket

Driver/Left Rear Mounting Bracket



Passenger/Right Center Mounting

Driver/Left Center Mounting Bracket



Combo Bolt



Lock Washer

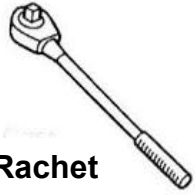


Flat Washer



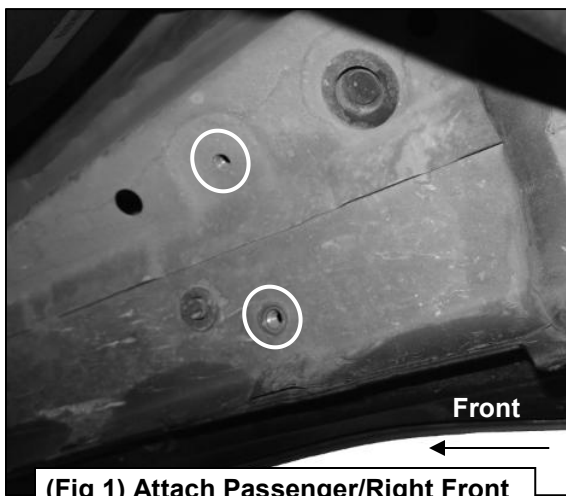
Hex Bolt

TOOLS REQUIRED

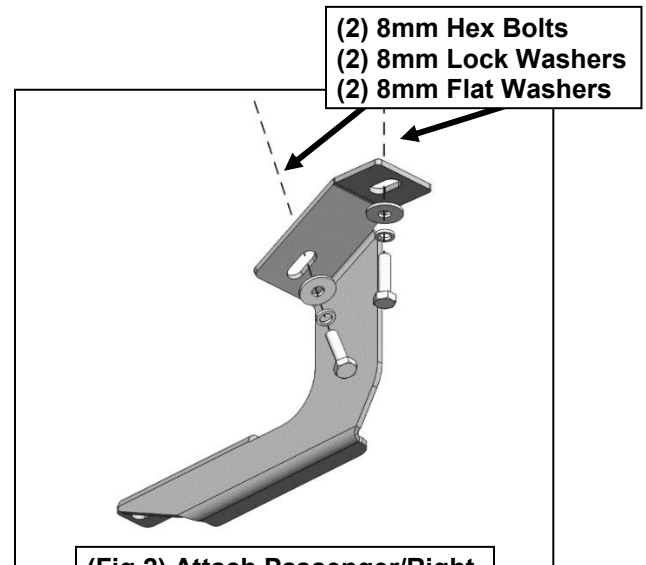


1

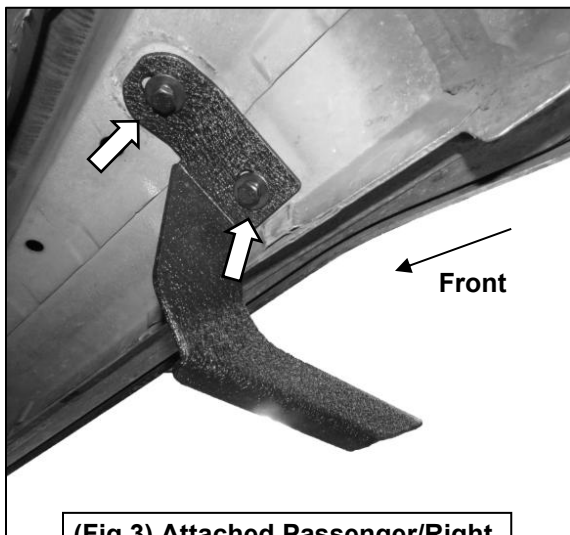
Follow (Fig 1 – 9) to attach the brackets to the Passenger Side. Repeat the following steps on the Driver Side. Ensure hardware is hand tightened at this point.



(Fig 1) Attach Passenger/Right Front Mounting Bracket to Passenger/Right Front Mounting Location

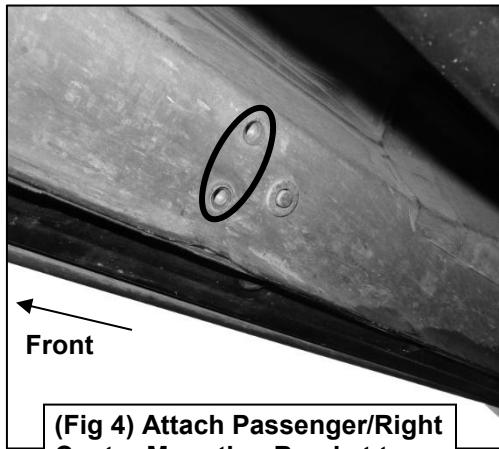


(Fig 2) Attach Passenger/Right Front Mounting Bracket

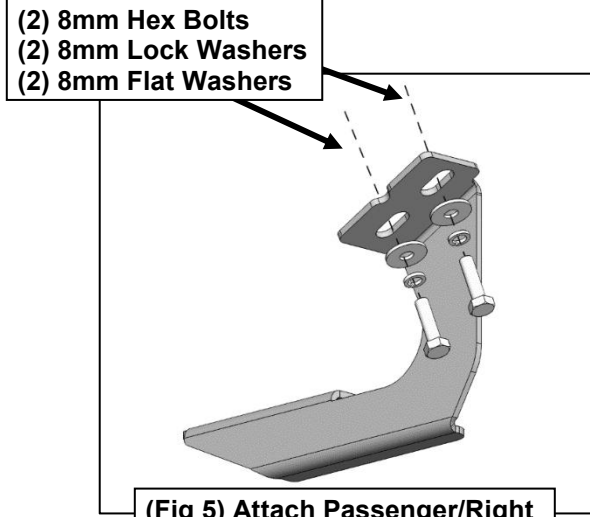


(Fig 3) Attached Passenger/Right Front Mounting Bracket

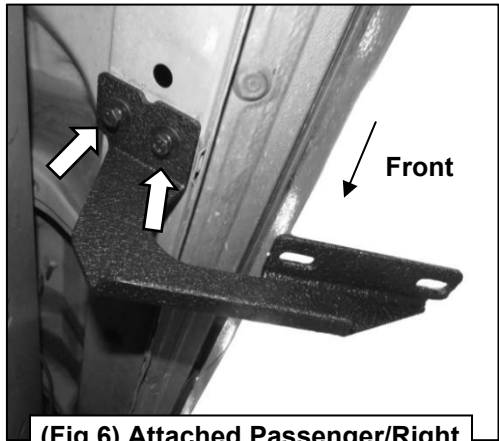
SR1 Running Board
2007-2021 Toyota Tundra Double Cab



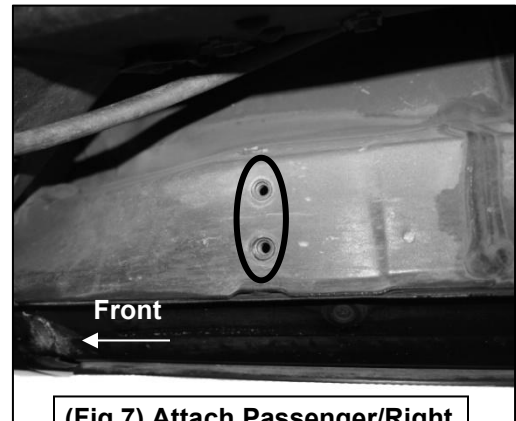
(Fig 4) Attach Passenger/Right Center Mounting Bracket to Passenger/Right Center Mounting Location



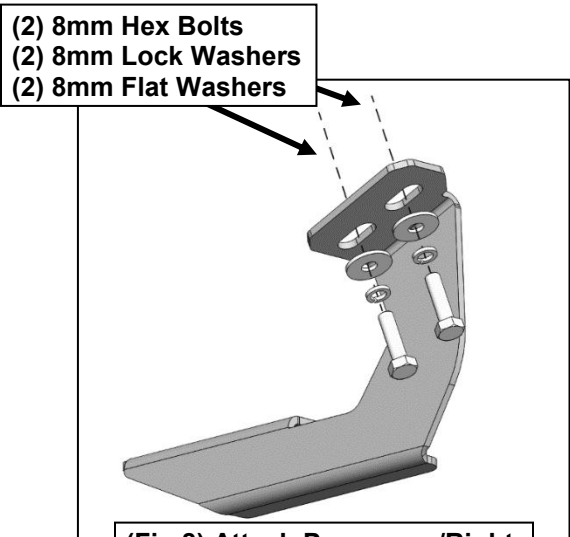
(Fig 5) Attach Passenger/Right Center Mounting Bracket



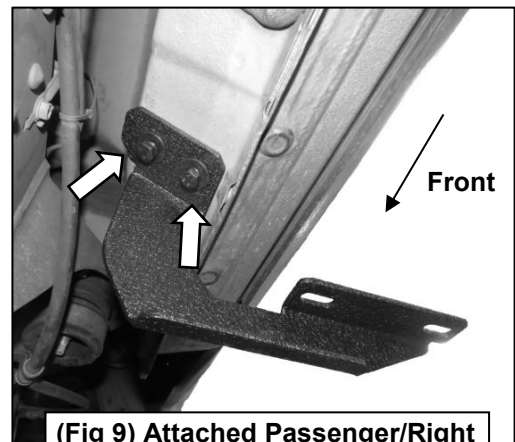
(Fig 6) Attached Passenger/Right Center Mounting Bracket



(Fig 7) Attach Passenger/Right Rear Mounting Bracket to Passenger/Right Rear Mounting Location



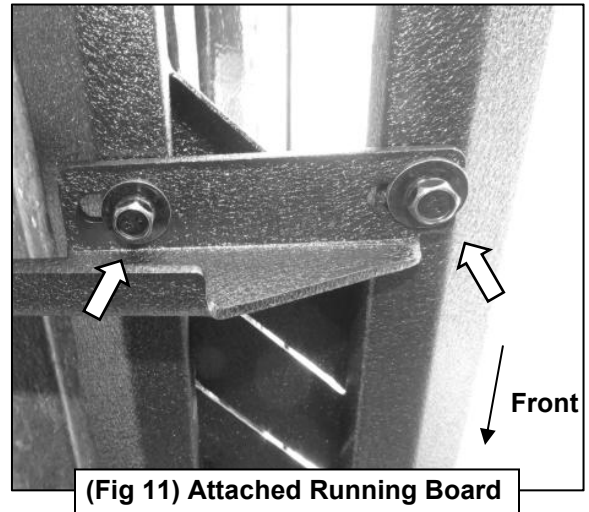
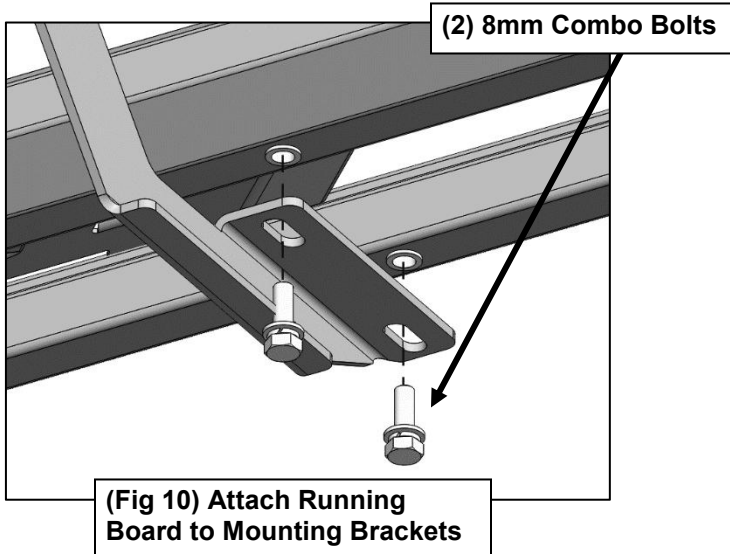
(Fig 8) Attach Passenger/Right Rear Mounting Bracket



(Fig 9) Attached Passenger/Right Rear Mounting Bracket

2

Follow (Fig 10 – 11) to attach Passenger/Right Running Board to Mounting Brackets. Repeat the following steps on the Driver/Left side. Ensure hardware is hand tightened at this point.



3

Ensure Running Board is level, then tighten all hardware. Installation is complete. Do periodic inspections to the installation to make sure that all hardware is secure and tight.

