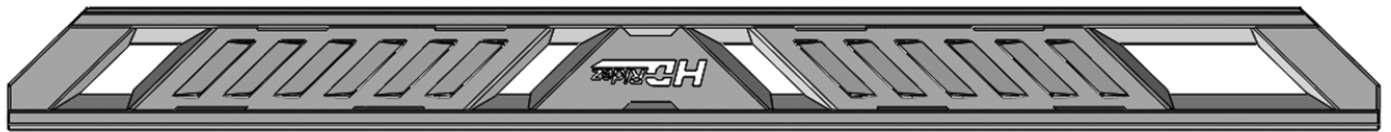


## INSTALLATION INSTRUCTIONS

### PARTS LIST:

Qty	Item Description	Qty	Item Description
1	Driver/Left Side Running Board	2	Passenger/Right Side Center & Rear Mounting Bracket
1	Passenger/Right Side Running Board	12	8-1.25mm x 30mm Hex Bolts
1	Driver/Left Side Front Mounting Bracket	12	8mm x 24mm x 2mm Flat Washers
1	Passenger/Right Side Front Mounting Bracket	12	8mm Lock Washers
2	Driver/Left Side Center & Rear Mounting Bracket	12	8-1.25mm x 25mm Combo Bolts

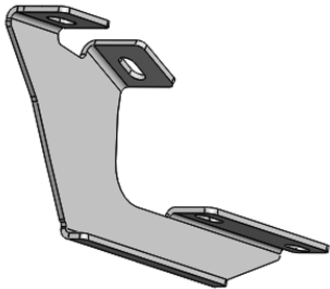


Driver/Left Running Board

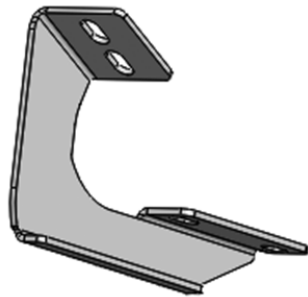
Front →



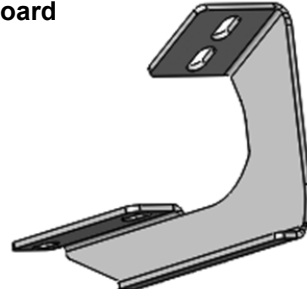
Passenger/Right Running Board



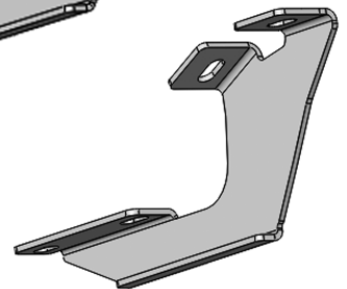
Passenger/Right Front Mounting Bracket



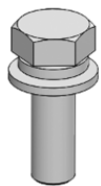
Passenger/Right Center & Rear Mounting Bracket



Driver/Left Center & Rear Mounting Bracket



Driver/Left Center & Rear Mounting Bracket



Combo Bolt



Hex Bolt



Lock Washer

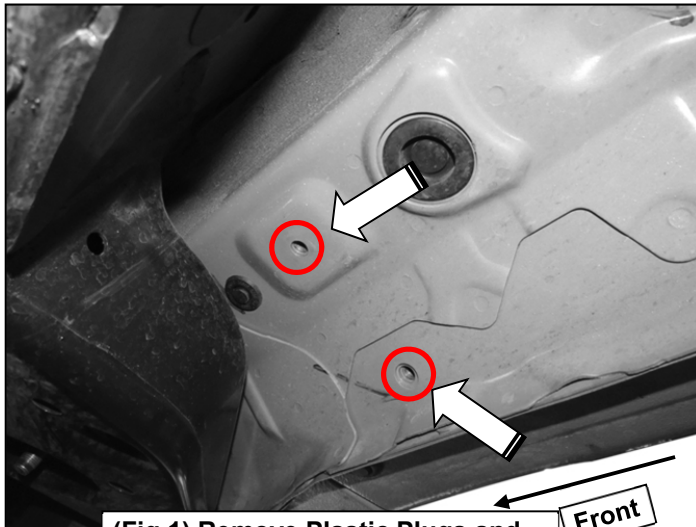


Flat Washer

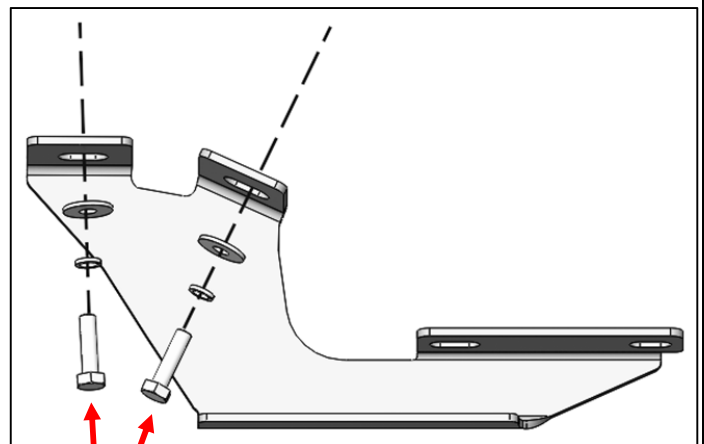
**TOOLS REQUIRED**



**1** Follow (Fig 1 – 9) to attach Brackets to the Passenger/Right Side. Repeat the following steps on the Driver/Left Side.

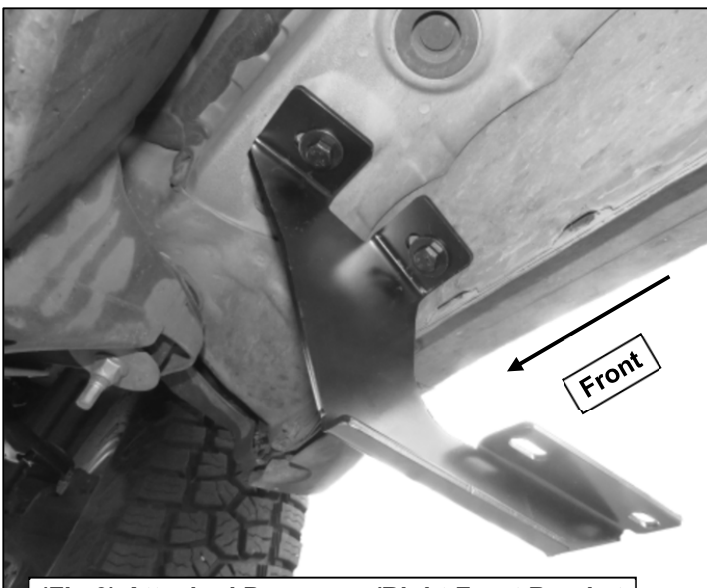


(Fig 1) Remove Plastic Plugs and attach brackets at Passenger/Right Front mounting location

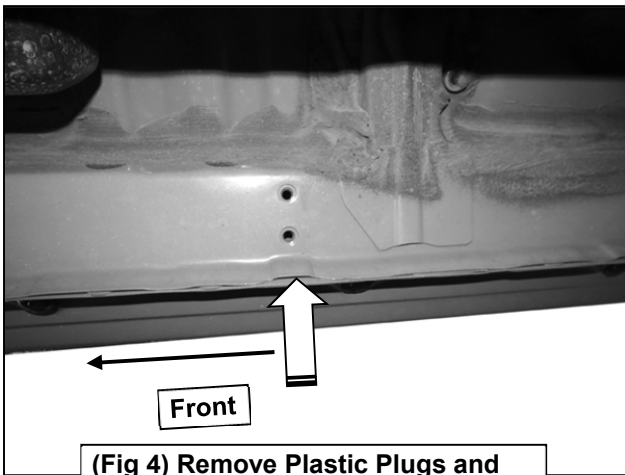


(Fig 2) Attach Passenger/Right Front Mounting Bracket

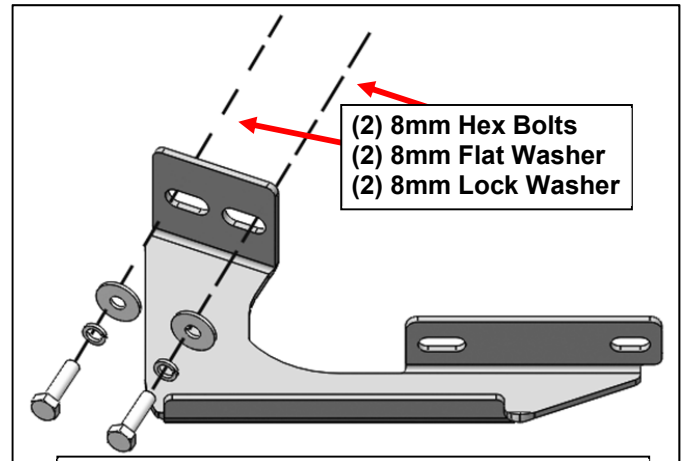
- (2) 8mm Hex Bolts
- (2) 8mm Flat Washer
- (2) 8mm Lock Washer



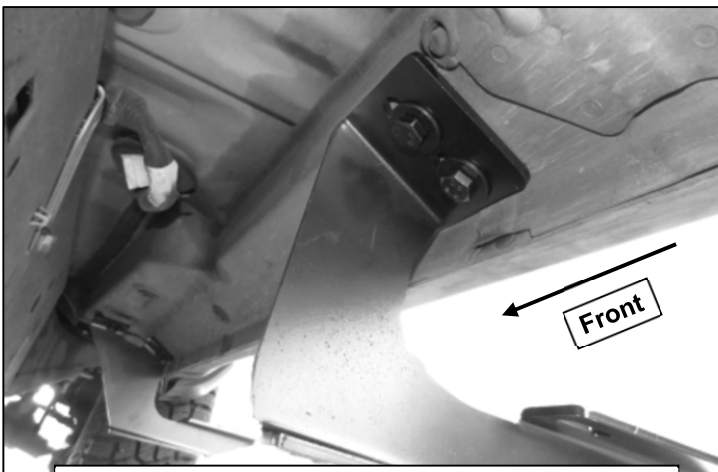
(Fig 3) Attached Passenger/Right Front Bracket



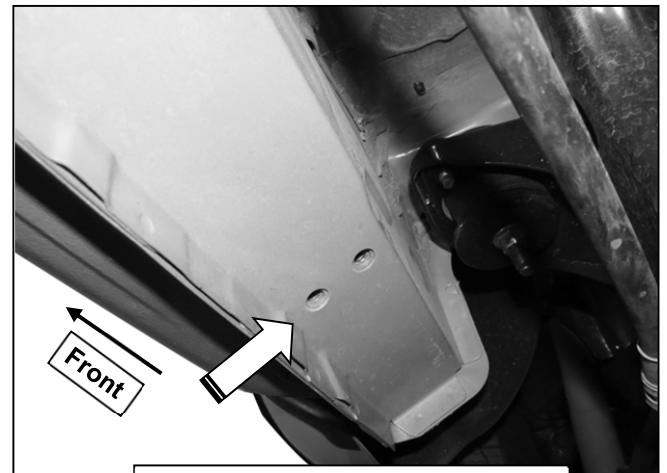
(Fig 4) Remove Plastic Plugs and attach Passenger/right center bracket at center mounting location



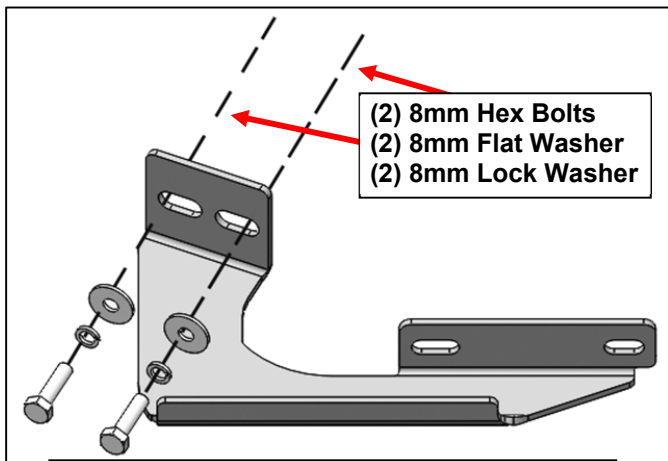
(Fig 5) Attach Passenger/Right Center Bracket



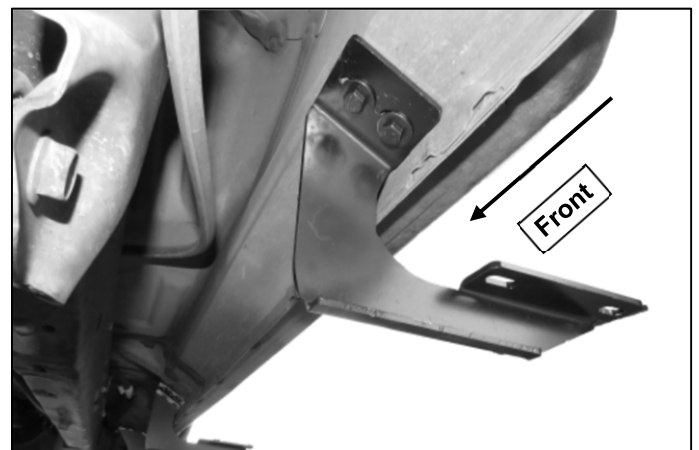
(Fig 6) Attached Passenger/Right Center Bracket



(Fig 7) Remove Plastic Plugs and attach Passenger/Right Rear bracket at rear mounting location



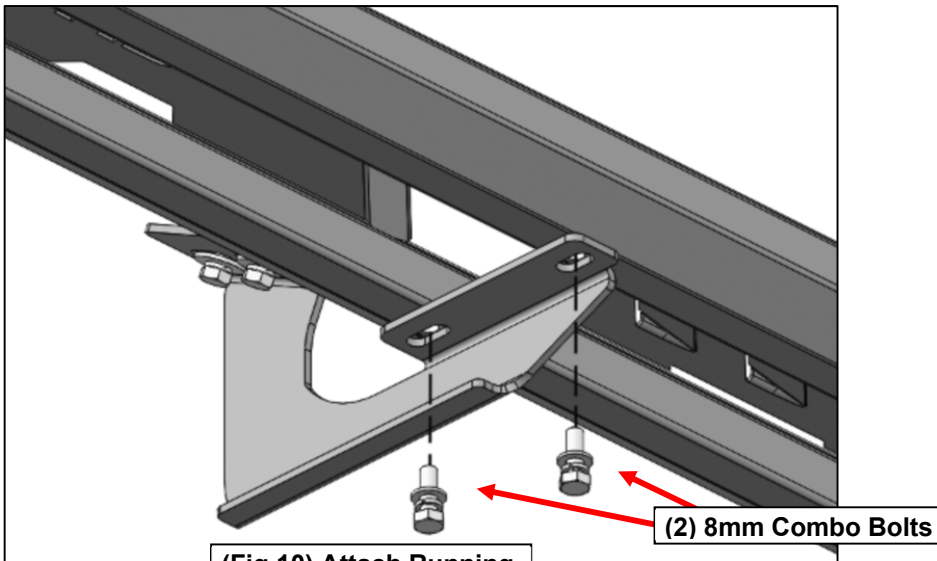
(Fig 8) Attach Passenger/Right Rear Bracket



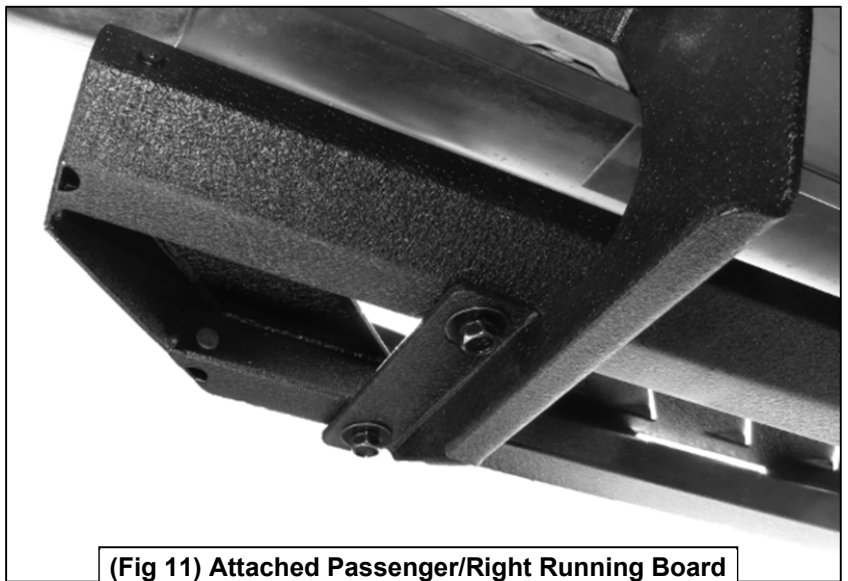
(Fig 9) Attached Passenger/Right Rear Bracket

**2**

Follow (Fig 10-11) to install the Passenger/Right running board. Repeat the following steps on the Driver/Right Side.



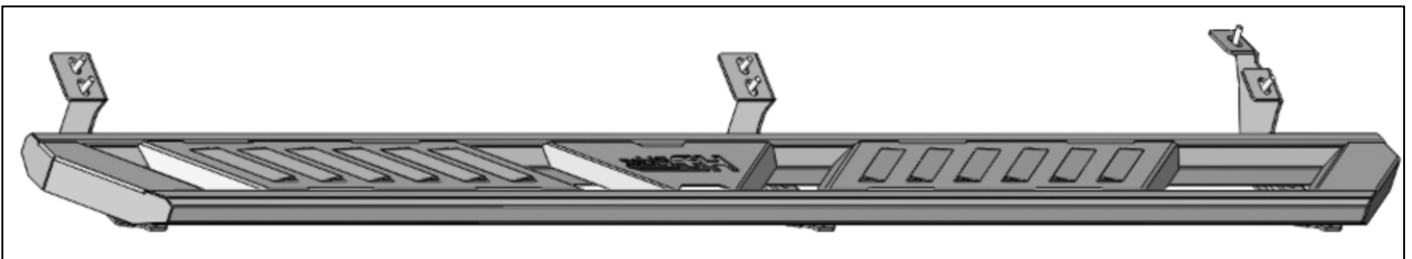
(Fig 10) Attach Running Board to Brackets



(Fig 11) Attached Passenger/Right Running Board

**3**

Installation is complete. Do periodic inspections to the installation to make sure that all hardware is secure and tight.



Complete Installation