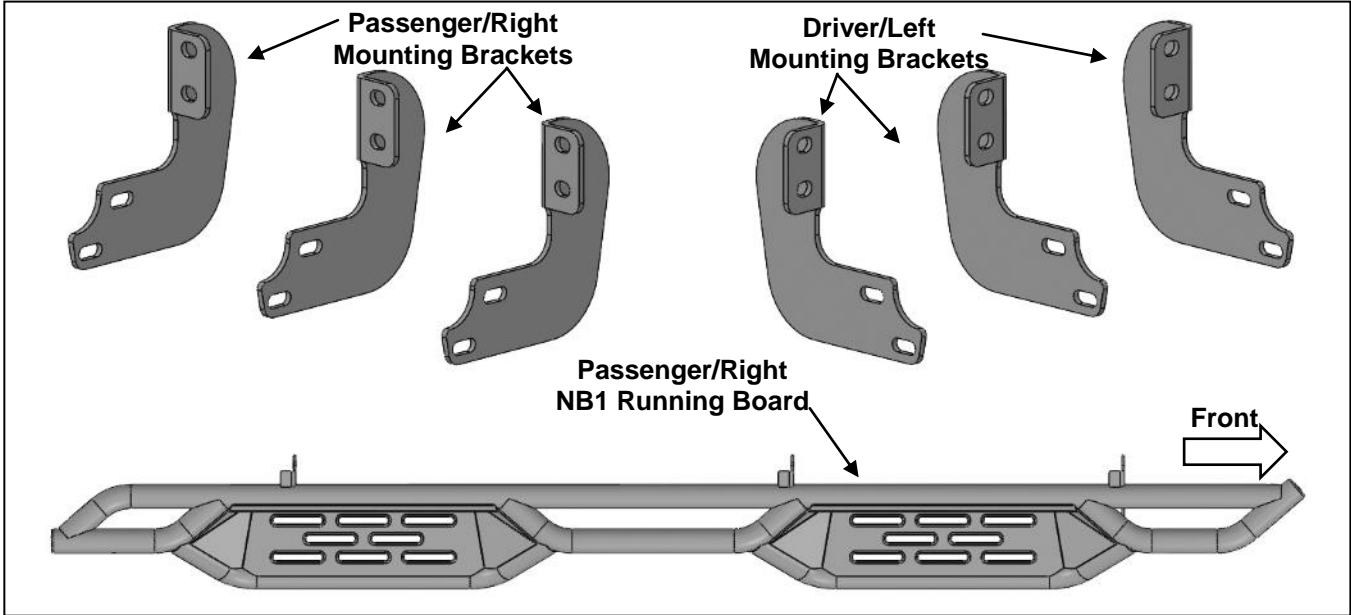


**PARTS LIST:**

1	Driver/Left NB1 Running Board	24	10mm x 27mm OD x 3mm Flat Washers
1	Passenger/Right NB1 Running Board	12	10mm Nylon Lock Nuts
3	Driver/Left Mounting Brackets	12	8mm x 24mm OD x 2mm Flat Washers
3	Passenger/Right Mounting Brackets	12	8mm Flanged Nuts
12	10-1.5mm x 35mm Hex Bolts		



**PROCEDURE:**

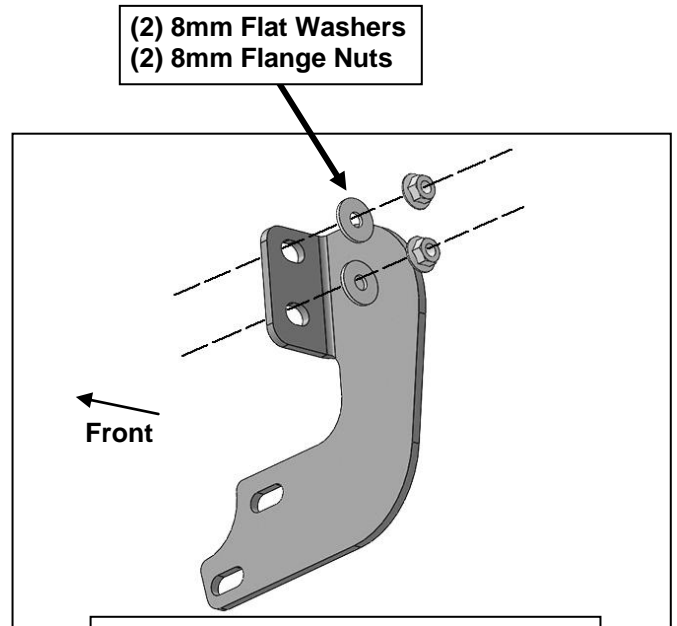
1. REMOVE CONTENTS FROM BOX. VERIFY ALL PARTS ARE PRESENT. READ INSTRUCTIONS CAREFULLY. CLEAN MOUNTING STUDS WITH WIRE BRUSH TO REMOVE PAINT AND DEBRIS.
2. Starting on the Passenger/Right side front of the vehicle, (**Figure 1**). Attach (1) Passenger/Right Mounting Bracket to the front location with (2) 8mm Flat Washers and (2) 8mm Flange Nuts, (**Figures 2 & 3**). Do not tighten hardware at this time.
3. Repeat **Step 2** to attach the remaining Passenger/Right Mounting Brackets to the center and rear locations, (**Figures 4—7**). Do not tighten hardware at this time.
4. Select the Passenger/Right NB1 Running Board. Attach Running Board to the front faces of the Mounting Brackets with (6) 10mm Hex Bolts, (12) 10mm Flat Washers and (6) 10mm Nylon Lock Nuts, (**Figures 8 & 9**). Do not tighten hardware at this time.
5. Level and adjust the Running Board and tighten all hardware.
6. Repeat **Steps 1—5** to attach the Driver/Left NB1 Running Board.
7. Do periodic inspections to the installation to make sure that all hardware is secure and tight.

**To protect your investment,** Do not use any type of polish or wax that may contain abrasives that could damage the finish. Mild soap may be used to clean the NB1 Running Board.

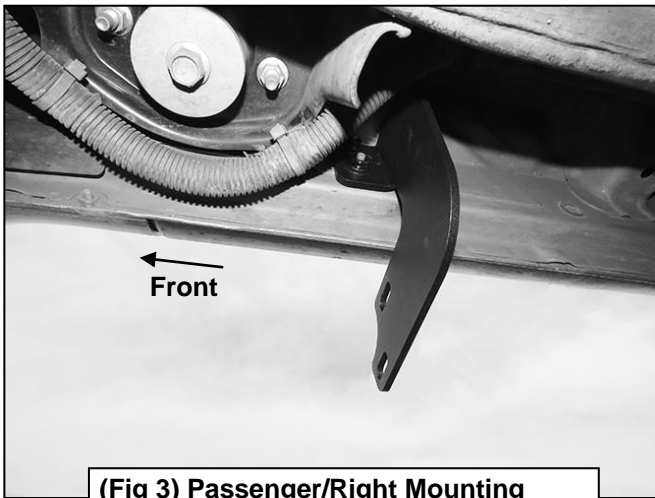
### Passenger/Right Side Installation Pictured



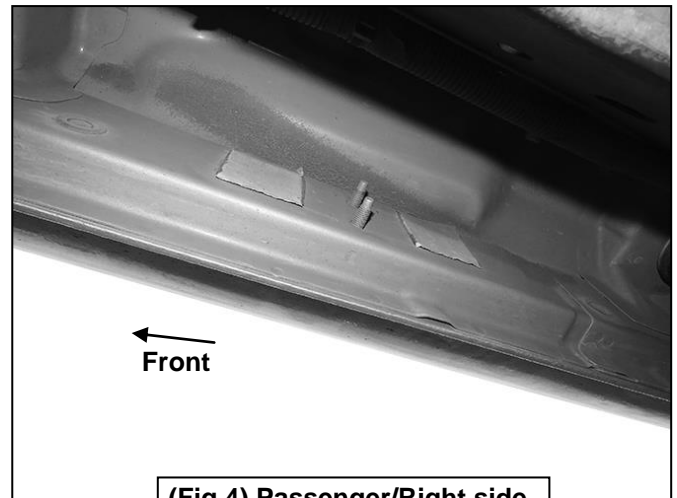
(Fig 1) Passenger/Right side front mounting location



(2) 8mm Flat Washers  
(2) 8mm Flange Nuts  
  
(Fig 2) Attach (1) Passenger/Right Mounting Bracket to the front location



(Fig 3) Passenger/Right Mounting Bracket attached to the front location

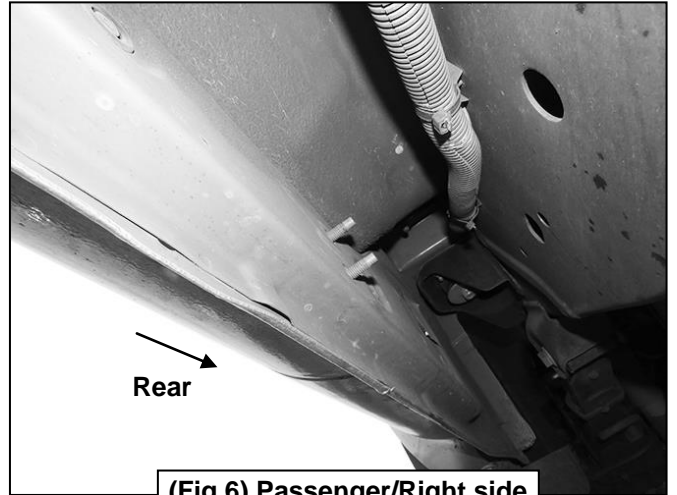


(Fig 4) Passenger/Right side center mounting location

### Passenger/Right Side Installation Pictured



(Fig 5) Passenger/Right Mounting Bracket attached to the center location

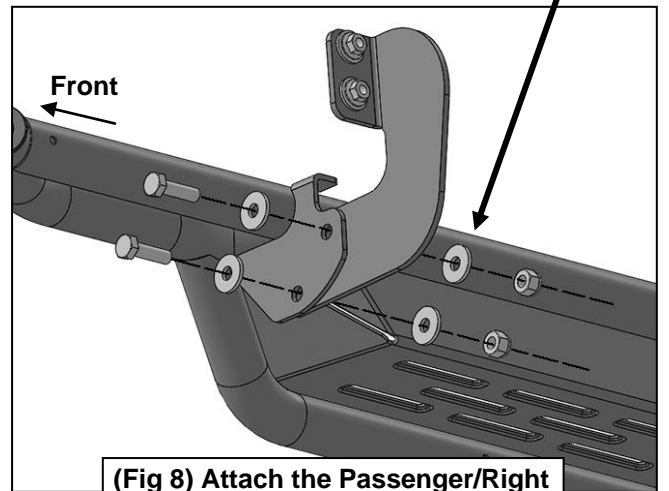


(Fig 6) Passenger/Right side rear mounting location

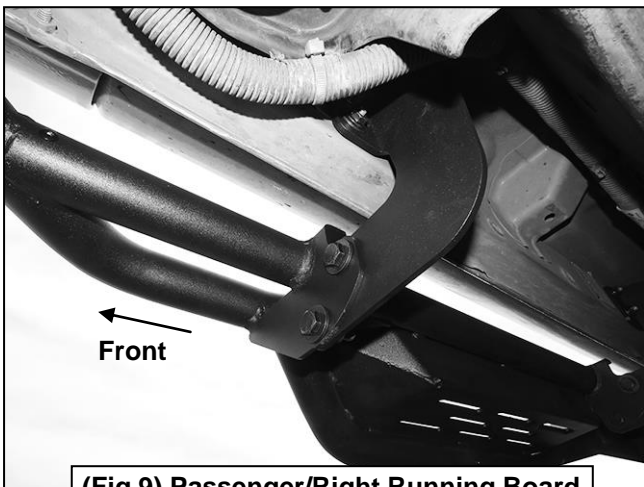


(Fig 7) Passenger/Right Mounting Bracket attached to the rear location

- (2) 10mm Hex Bolts
- (4) 10mm Flat Washers
- (2) 10mm Nylon Lock Nuts



(Fig 8) Attach the Passenger/Right Running Board to the front faces of the Mounting Brackets



(Fig 9) Passenger/Right Running Board attached to the Front Mounting Bracket