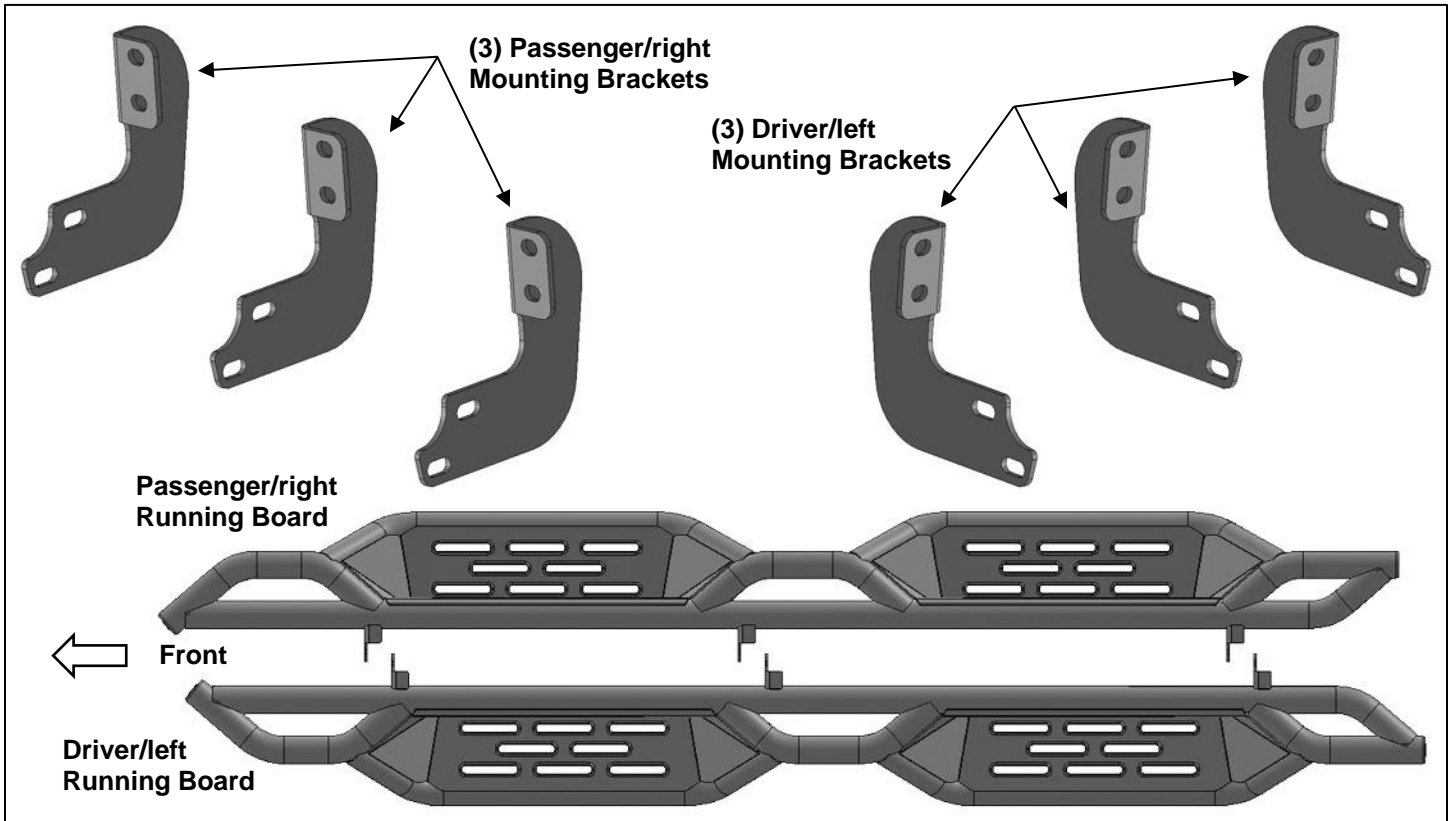


PARTS LIST:

1	Driver/Left Running Board	24	10mm x 27mm x 3mm Flat Washers
1	Passenger/Right Running Board	12	10mm Nylon Lock Nuts
3	Driver/left Mounting Brackets	12	8mm x 24mm x 2mm Flat Washers
3	Passenger/right Mounting Brackets	12	8mm Hex Flange Nuts
12	10-1.5mm x 35mm Hex Bolts		

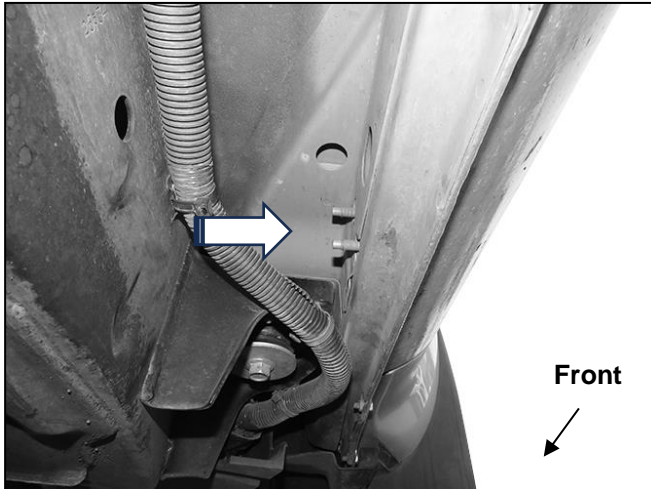


PROCEDURE:

1. REMOVE CONTENTS FROM BOX. VERIFY ALL PARTS ARE PRESENT. READ INSTRUCTIONS CAREFULLY. CLEAN MOUNTING STUDS WITH WIRE BRUSH TO REMOVE PAINT AND DEBRIS.
2. Start on the passenger/right front of the vehicle and locate the (2) threaded studs in the side of the body panel, **(Figure 1)**. Attach (1) passenger/right Mounting Bracket to the studs with (2) 8mm Flat Washers and (2) 8mm Hex Flange Nuts, **(Figures 2 & 3)**. Do not tighten hardware.
3. Move to the center mounting location. Repeat **Step 2** to attach (1) passenger/right Bracket, **(Figure 4)**.
4. Continue to the last mounting location at the end of the cab, **(Figure 5)**. Repeat **Steps 2** and **3** to attach the remaining passenger/right Bracket to the rear location.
5. Select the passenger/right Running Board. Use the illustration above to help determine the correct Running Board. Attach Running Board to the front facing side of the Mounting Brackets with (6) 10mm Hex Bolts, (12) 10mm Flat Washers and (6) 10mm Nylon Lock Nuts, **(Figures 6 & 7)**. Do not tighten hardware at this time.
6. Level and adjust the Running Board and tighten all hardware.
7. Repeat **Steps 1—6** to attach the Driver/Left NB1 Running Board.
8. Do periodic inspections to the installation to make sure that all hardware is secure and tight.

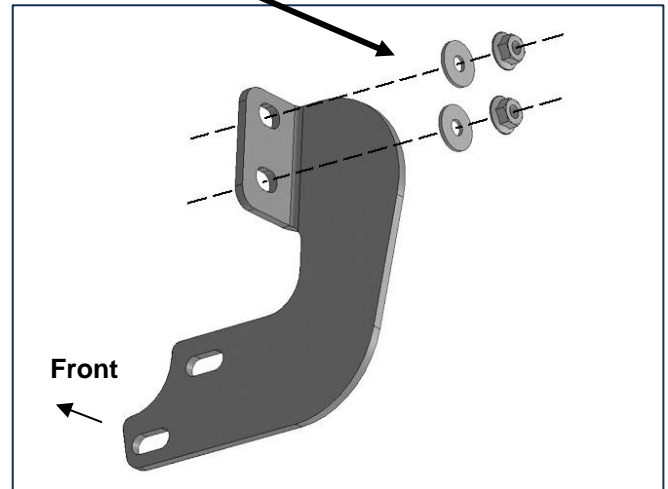
To protect your investment: Do not use any type of polish or wax that may contain abrasives that could damage the finish. Mild soap may be used to clean the Sidebar.

Passenger/right Side Installation Pictured

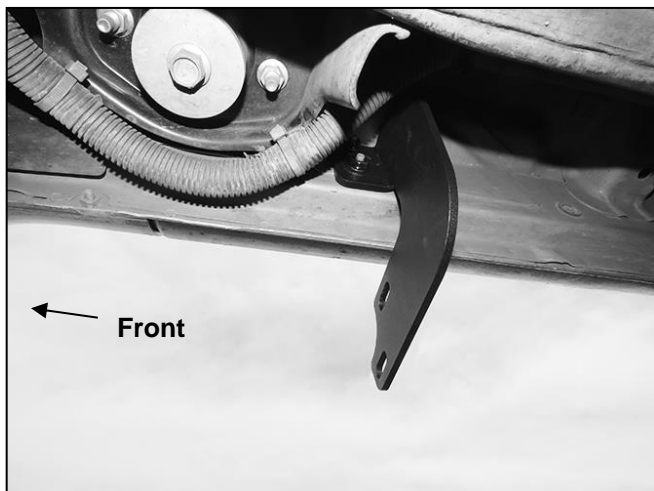


(Fig 1) Passenger/right front mounting location. **IMPORTANT:** Use a wire brush to clean paint/undercoating from threads before installation

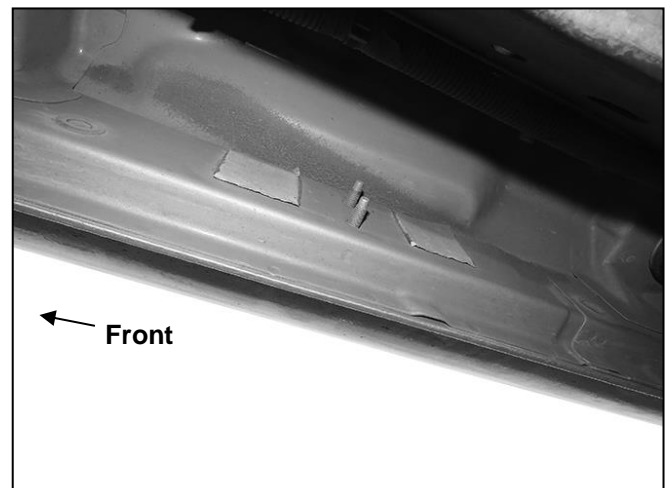
(2) 8mm Flat Washers
(2) 8mm Flange Nuts



(Fig 2) Attach passenger/right Mounting Bracket to the front location

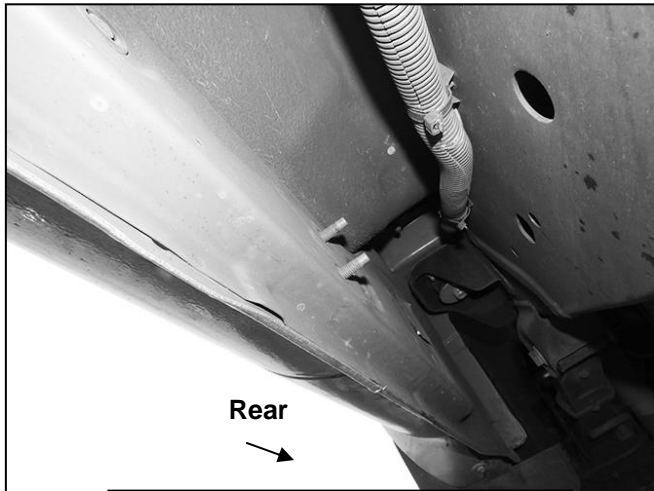


(Fig 3) Passenger/right front Bracket installed

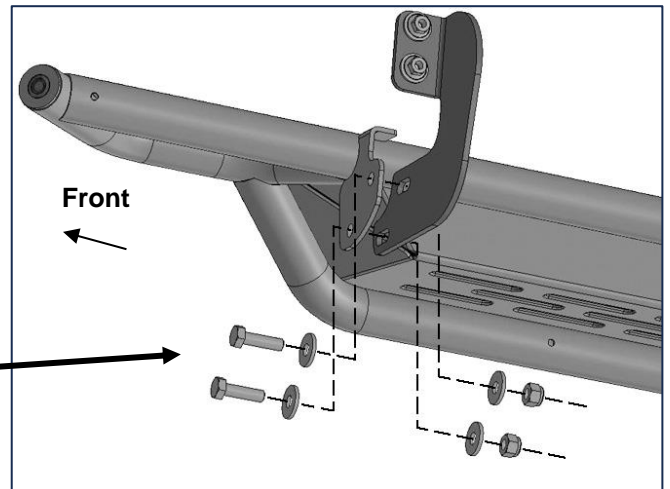


(Fig 4) Example of passenger/right center mounting location

Passenger/right Side Installation Pictured

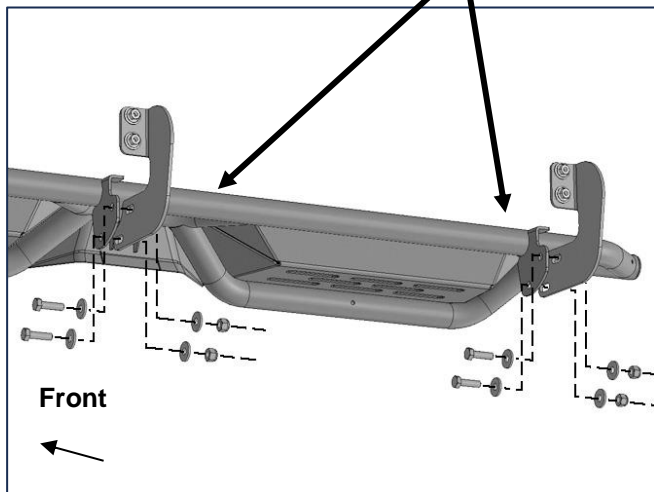


(Fig 5) Example of passenger/right rear mounting location

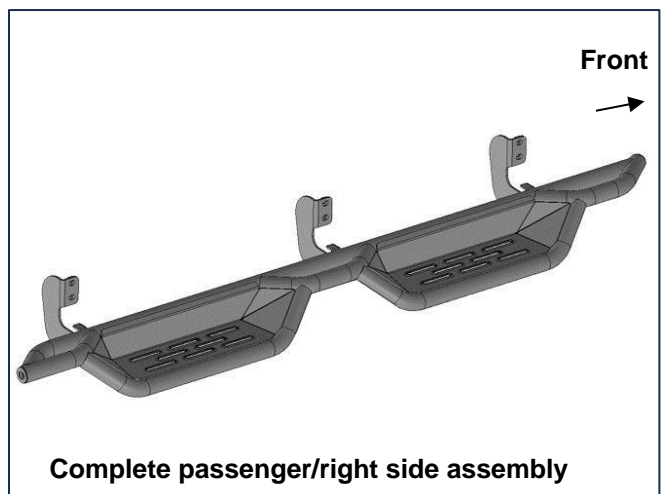


(Fig 6) Attach the passenger/right Running Board to the front facing side of the front Bracket

- (2) 10mm Hex Bolts
- (4) 10mm Flat Washers
- (2) 10mm Nylon Lock Nuts



(Fig 7) Attach the passenger/right Running Board to the front facing side of the center and rear Brackets



Complete passenger/right side assembly