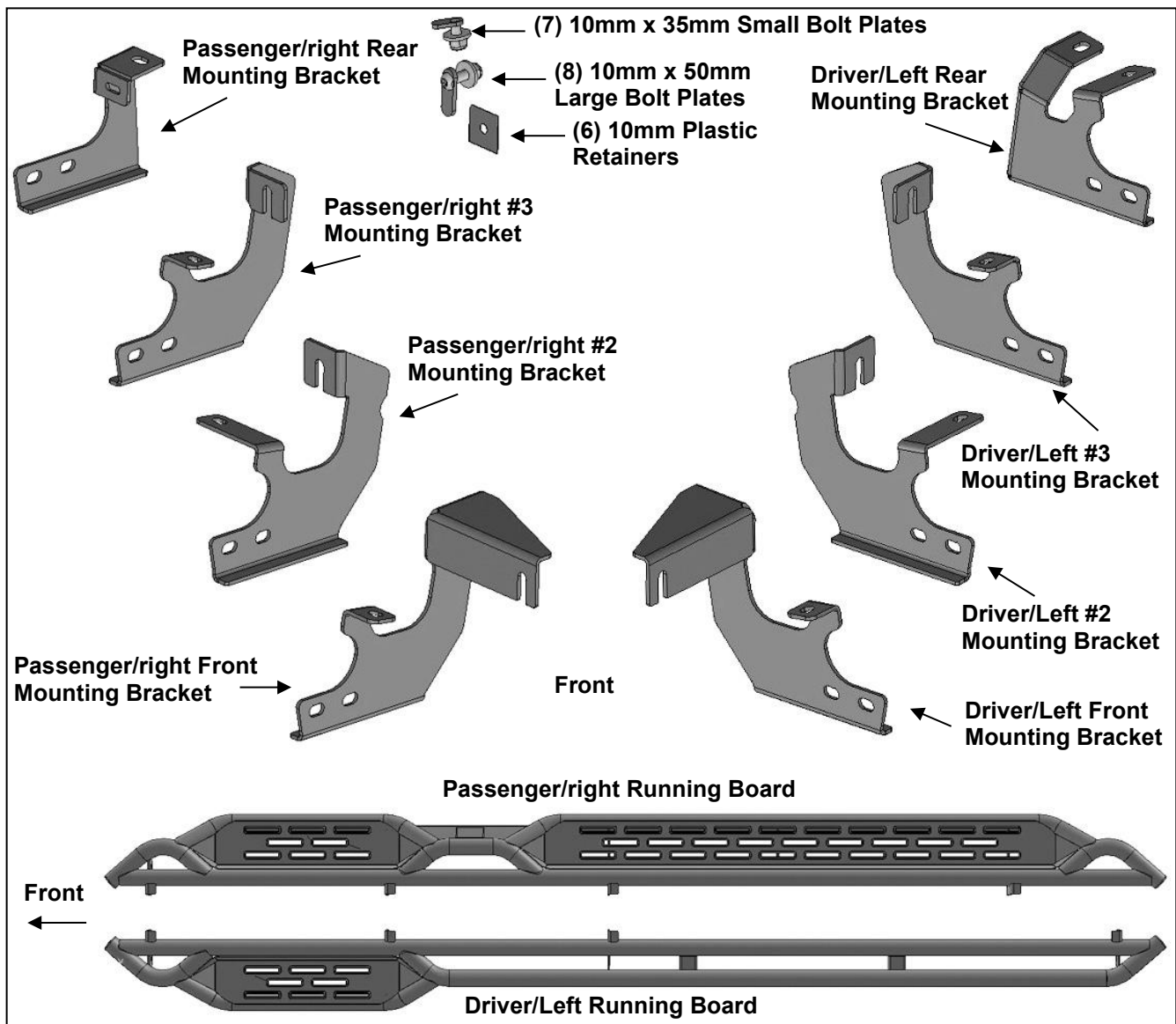


**NB1 RUNNING BOARDS
2012-21 NISSAN NV 1500-3500 VAN (FULL SIZE)**

PARTS LIST:

1	Driver/left Running Board	6	10mm Plastic Retainers
1	Passenger/right Running Board	8	10mm x 50mm Large Bolt Plates
1	Driver/left Front Mounting Bracket	7	10mm x 30mm Small Bolt Plates
1	Passenger/right Front Mounting Bracket	16	10-1.5mm x 35mm Hex Bolts
1	Driver/left #2 Mounting Bracket	47	10mm x 27mm x 3mm Flat Washers
1	Passenger/right #2 Mounting Bracket	31	10mm Nylon Lock Nuts
1	Driver/left #3 Mounting Bracket	1	6-1.0mm x 20mm Hex Bolt
1	Passenger/right #3 Mounting Bracket	1	6mm x 18mm x 1.6mm Flat Washer
1	Driver/left Rear Mounting Bracket	1	6mm x 12mm x 1.6mm Flat Washer
1	Passenger/right Rear Mounting Bracket	1	6mm Lock Washer
		1	6mm Hex Nut



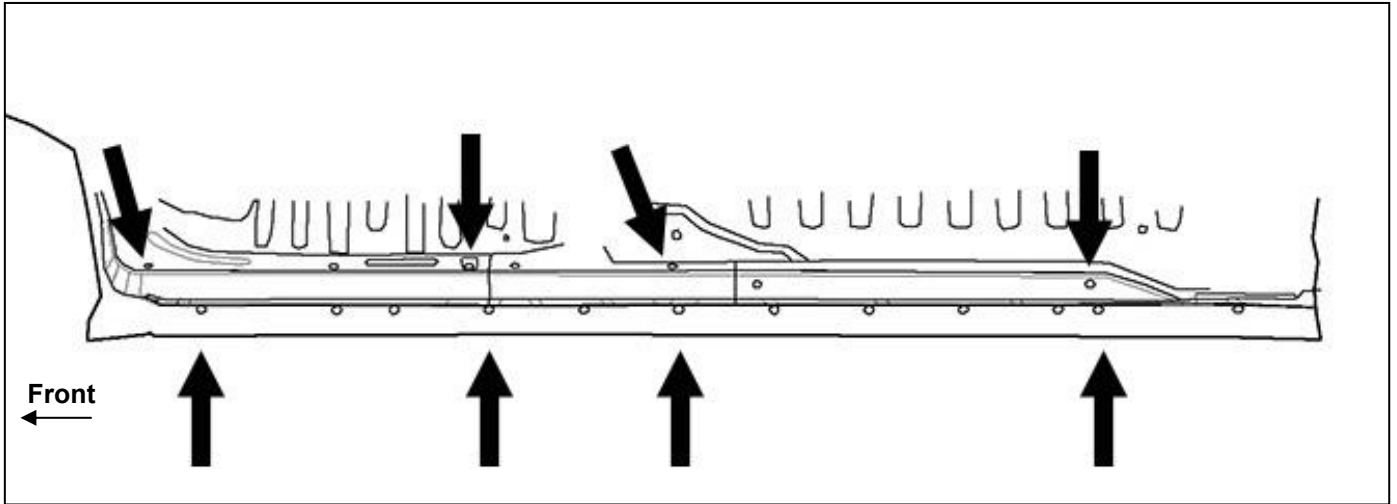
PROCEDURE:

REMOVE CONTENTS FROM BOX. VERIFY ALL PARTS ARE PRESENT. READ INSTRUCTIONS CAREFULLY BEFORE STARTING INSTALLATION. ASSISTANCE IS RECOMMENDED.

1. Start the installation under the passenger/right side of the vehicle. Locate the factory hole closest to the front wheel opening along the bottom of the body, **(Figures 1 & 2)**. **NOTE:** Holes will be covered with plugs or tape, remove as necessary. Remove excess undercoating from all mounting locations so that Brackets will install flat against body panel.
2. Select (1) 10mm x 35mm Small Bolt Plate, **(Figures 2 & 3)**. Insert the Bolt Plate into the mounting hole on the bottom of the outer body panel.
3. Next, locate the first factory hole along the inner body panel, **(Figures 1 & 2)**. Select (1) 10mm x 50mm Large Bolt Plate and (1) 10mm Plastic Retainer, **(Figure 2)**. Thread the Retainer part way onto the Bolt Plate. Insert the Bolt Plate into the hole in the side of the body and tighten the Retainer against the body panel, **(Figure 2)**. **IMPORTANT:** The Plastic Retainer is designed to prevent the Bolt Plate from falling into the body panel and to aid in Bracket installation. Retainers are not required for the Bolt Plates installed along the bottom of the outer body panel (outside of pinch weld).
4. Select the passenger/right front Mounting Bracket, **(Figure 3)**. Line up the Bracket with the (2) Bolt Plates. Attach the Bracket to the Bolt Plates with (2) 10mm Flat Washers and (2) 10mm Nylon Lock Nuts, **(Figure 4)**. Do not fully tighten hardware at this time.
5. Move to the next mounting location below the center of the passenger/right front door, **(Figures 1 & 5)**. Locate the outer hole in the bottom of the body panel and the hole in the inner side of the body panel. Repeat **Steps 1—4** to install the passenger/right #2 Bracket, **(Figures 5—7)**.
6. Continue along the body to the #3 mounting location beneath the front of the sliding door, **(Figures 1 & 8)**. Repeat **Steps 1—4** to install the passenger/right #3 Mounting Bracket, **(Figures 8 & 9)**.
7. Next, locate the last mounting hole along the bottom of the body, **(Figures 1 & 10)**. Insert (1) 10mm x 50mm Large Bolt Plate as previously described. Select the passenger/right rear Bracket, **(Figure 11)**. Attach the Bracket to the Bolt Plate with (1) 10mm Flat Washer and (1) 10mm Nylon Lock Nut. Do not fully tighten hardware.
8. Select the passenger/right Running Board. With assistance, place the Running Board up to the back of the (4) Brackets. Attach the Running Board to the Brackets with (8) 10mm x 35mm Hex Bolts, (16) 10mm Flat Washers and (8) 10mm Nylon Lock Nuts, **(Figures 12 & 13)**. Do not tighten hardware.
9. Level and adjust the Running Board and fully tighten all Bracket to Body hardware only.
10. Return to the passenger/right rear Bracket. Mark the location of the mounting slot on the Rear Bracket onto the back of the pinch weld, **(Figure 14)**. Temporarily remove the Bracket. Use a 1/4" drill bit to drill a mounting hole through the pinch weld. Reinstall the Bracket. Attach Bracket to the pinch weld with the included (1) 6mm x 20mm Hex Bolt, (1) 6mm x 12mm (outside) Flat Washer, (1) 6mm x 18mm (inside against Bracket) Flat Washer, (1) 6mm Lock Washer and (1) 6mm Hex Nut, **(Figure 15)**. Check Running Board for level, adjust as necessary and fully tighten all hardware, **(Figures 16—19)**.
11. Move to the driver/left side of the vehicle, **(Figure 20)**. Repeat **Steps 1—4** to install the driver/left front Bracket, **(Figures 21 & 22)**.
12. Move to the next location. Repeat **Step 5** to install the driver/left #2 Bracket, **(Figure 23)**.
13. Continue to the next location at the back of the front door. Repeat **Step 6** to install the driver/left #3 Mounting Bracket, **(Figure 24)**.
14. Continue to the last pair of holes in the bottom of the body, **(Figure 25)**. Select (1) 10mm x 35mm Small Bolt Plate, **(Figure 26)**. Insert the Bolt Plate into the outer mounting hole. Select (1) 10mm x 50mm Large Bolt Plate. Insert the larger Bolt Plate into the inner mounting hole, **(Figure 26)**. Attach the driver/left rear Bracket to the Bolt Plates with the included (2) 10mm Flat Washers and (2) 10mm Nylon Lock Nuts, **(Figure 26)**.
15. Select the driver/left Running Board. With assistance, place the Running Board up to the back of the (4) Brackets. Attach the Running Board to the Brackets with (8) 10mm x 35mm Hex Bolts, (16) 10mm Flat Washers and (8) 10mm Nylon Lock Nuts, **(Figures 27 & 28)**. Do not tighten hardware.
16. Level and adjust the Running Board and fully tighten all hardware, **(Figures 29—32)**.
17. Do periodic inspections to the installation to make sure that all hardware is secure and tight.

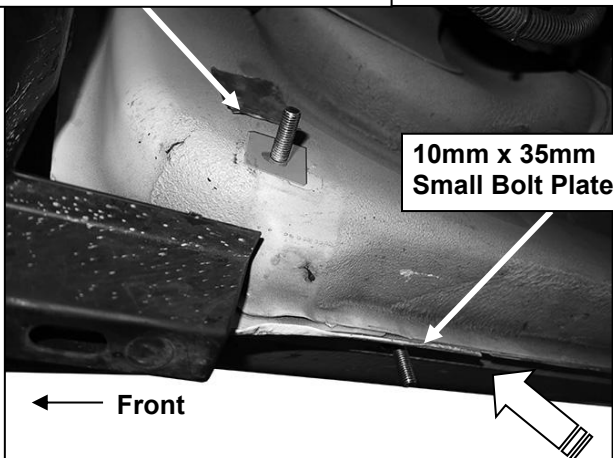
To protect your investment, Do not use any type of polish or wax that may contain abrasives that could damage the finish. Mild soap may be used also to clean the Running Board.

Passenger/right Side Installation Pictured



(Fig 1) Passenger/right side mounting locations illustrated from behind/below vehicle

10mm x 50mm Large Bolt Plate with Plastic Retainer



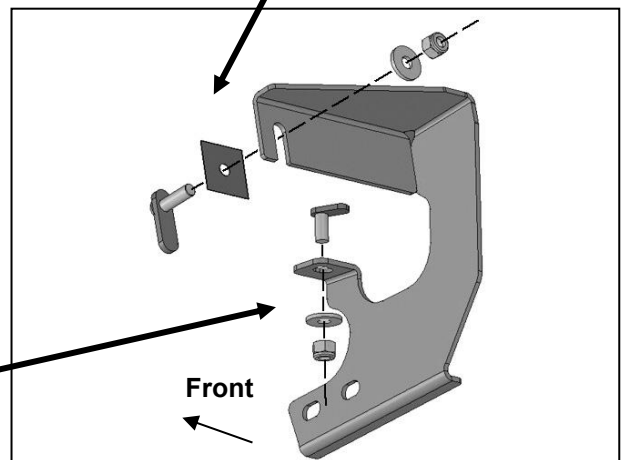
**10mm x 35mm
Small Bolt Plate**

← Front

(Fig 2) Passenger/right front mounting location

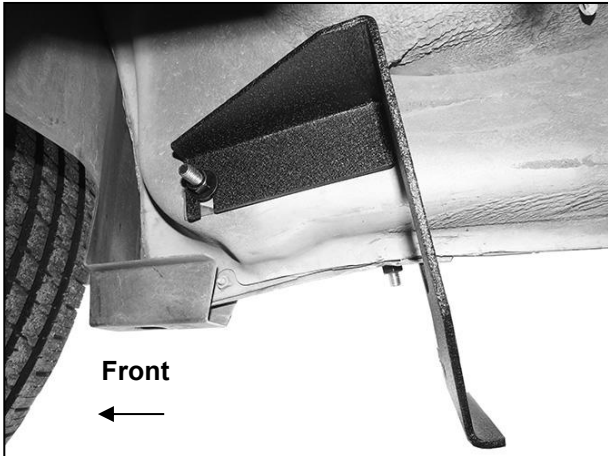
**10mm x 35mm Small Bolt Plate
10mm Flat Washer
10mm Nylon Lock Nut**

**10mm x 50mm Large Bolt Plate
10mm Plastic Retainer
10mm Flat Washer
10mm Nylon Lock Nut**



(Fig 3) Passenger/right front Mounting Bracket

Passenger/right Side Installation Pictured



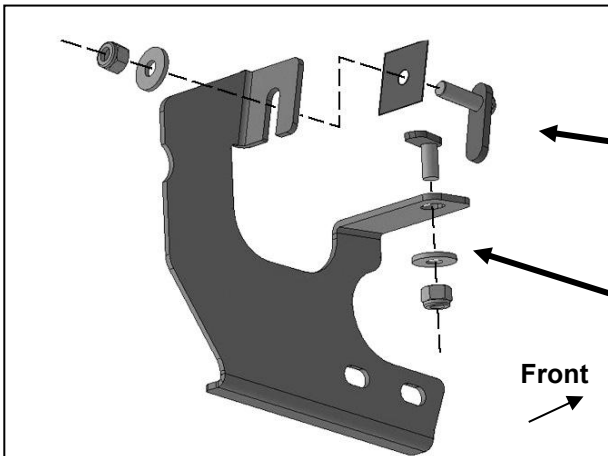
(Fig 4) Passenger/right front Mounting Bracket installed



10mm x 50mm Large Bolt Plate with Plastic Retainer

10mm x 35mm Small Bolt Plate

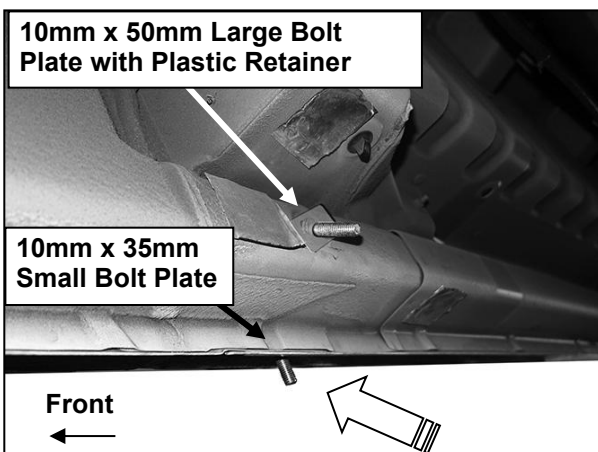
(Fig 5) Passenger/right #2 mounting location



10mm x 50mm Large Bolt Plate
10mm Plastic Retainer
10mm Flat Washer
10mm Nylon Lock Nut

10mm x 35mm Small Bolt Plate
10mm Flat Washer
10mm Nylon Lock Nut

(Fig 6) Passenger/right #2 Mounting Bracket

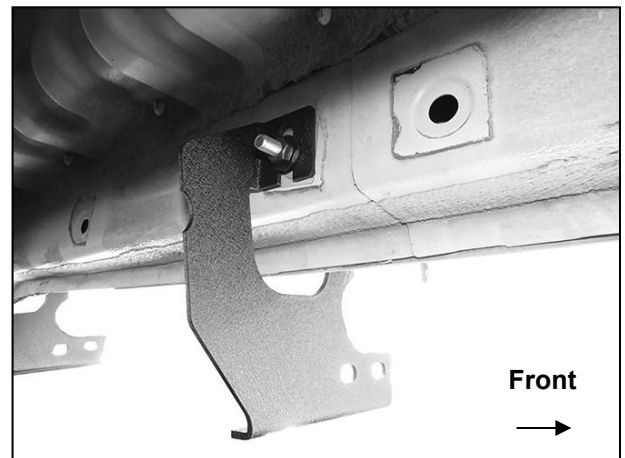


10mm x 50mm Large Bolt Plate with Plastic Retainer

10mm x 35mm Small Bolt Plate

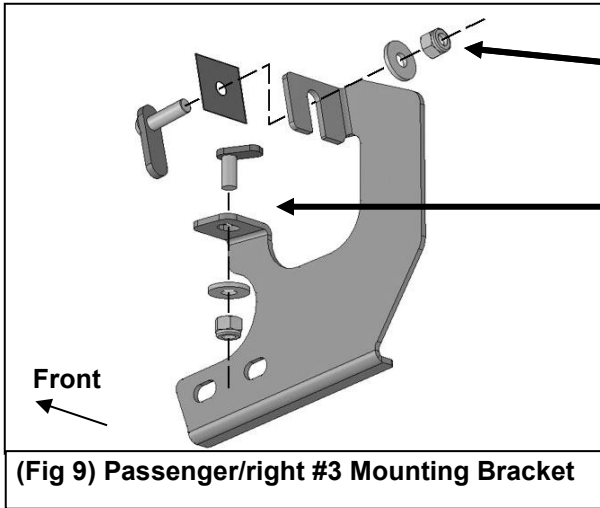
Front

(Fig 8) Passenger/right #3 mounting location



(Fig 7) Passenger/right #2 Bracket installed

Passenger/right Side Installation Pictured



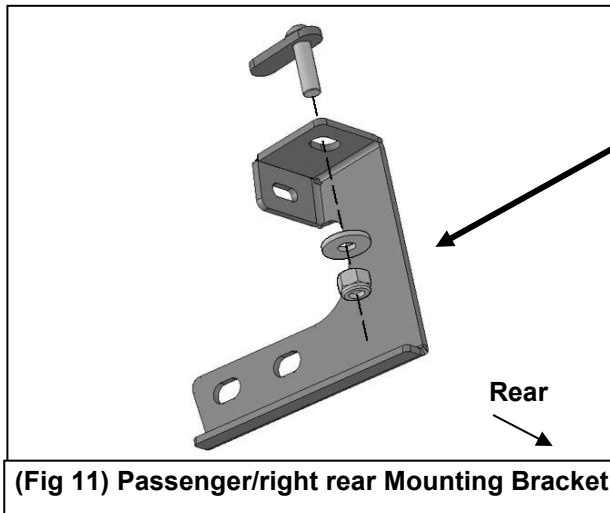
- 10mm x 50mm Large Bolt Plate
- 10mm Plastic Retainer
- 10mm Flat Washer
- 10mm Nylon Lock Nut

- 10mm x 35mm Small Bolt Plate
- 10mm Flat Washer
- 10mm Nylon Lock Nut

(Fig 9) Passenger/right #3 Mounting Bracket



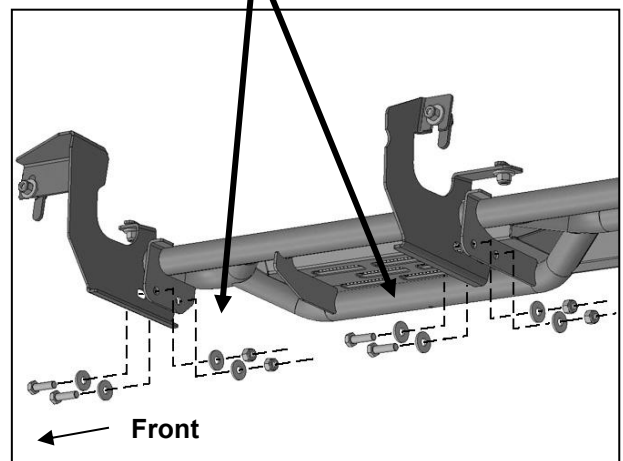
(Fig 10) Passenger/right rear mounting location



- 10mm x 50mm Large Bolt Plate
- 10mm Flat Washer
- 10mm Nylon Lock Nut

(Fig 11) Passenger/right rear Mounting Bracket

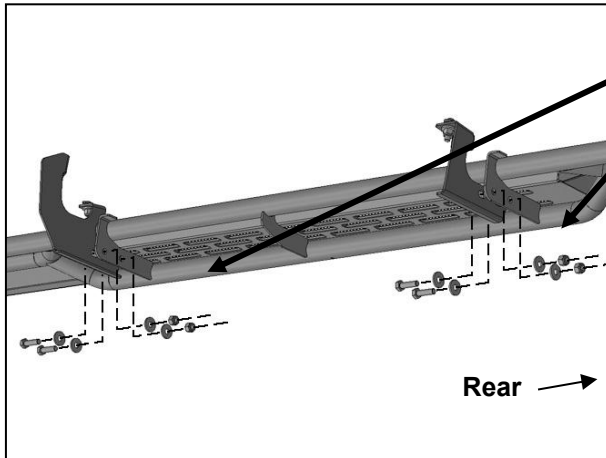
- (2) 10mm x 35mm Hex Bolts
- (4) 10mm Flat Washers
- (2) 10mm Nylon Lock Nuts



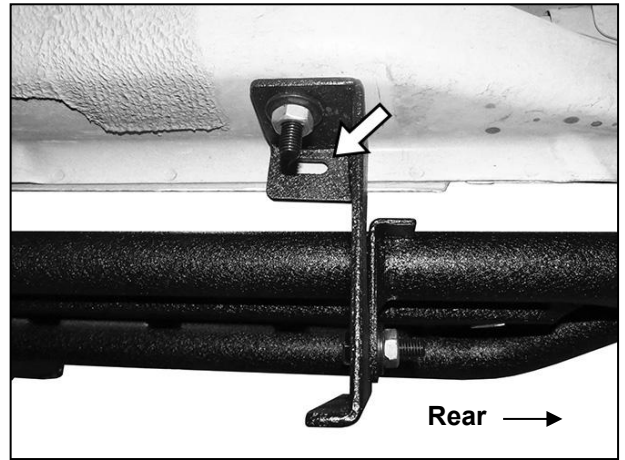
(Fig 12) Attach passenger/right Running Board to back of front and #2 Brackets

Passenger/right Side Installation Pictured

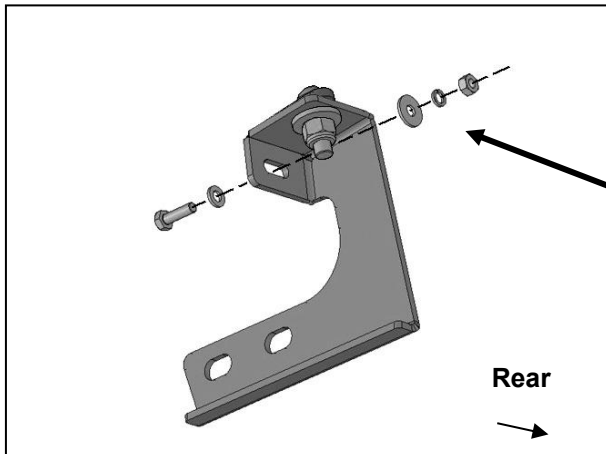
- (2) 10mm x 35mm Hex Bolts
- (4) 10mm Flat Washers
- (2) 10mm Nylon Lock Nuts



(Fig 13) Attach passenger/right Running Board to back of #3 and Rear Brackets

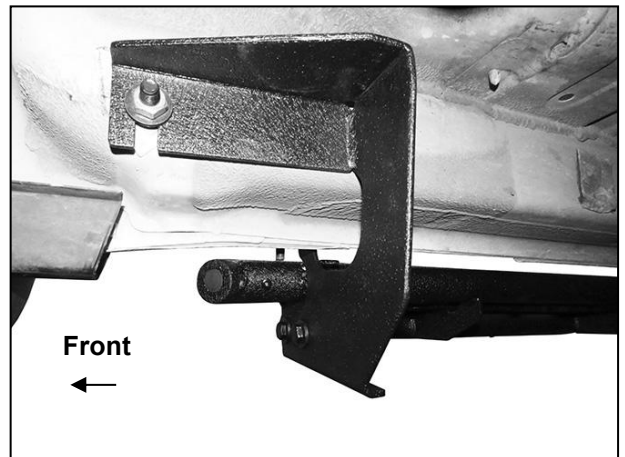


(Fig 14) Mark the location of the slot onto the pinch weld. Remove Bracket. Use a 1/4" drill bit to drill a hole through the pinch weld

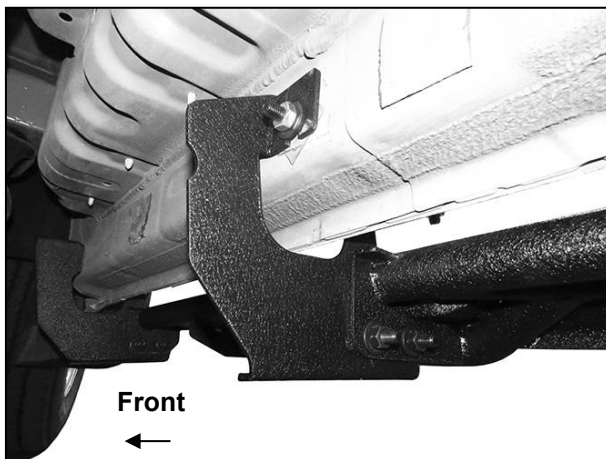


- 6mm x 20mm Hex Bolt
- 6mm x 12 Small Flat Washer
- 6mm x 18mm Large Flat Washer
- 6mm Lock Washer
- 6mm Hex Nut

(Fig 15) Reinstall passenger/right rear Bracket

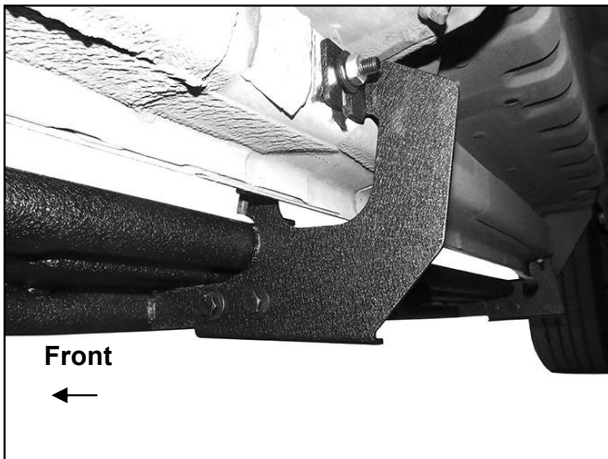


(Fig 16) Passenger/right front Bracket with Running Board

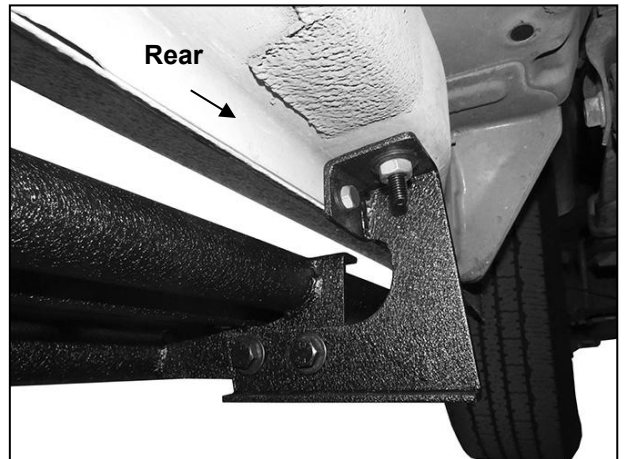


(Fig 17) Passenger/right #2 Bracket with Running Board

Passenger/right Side Installation Pictured

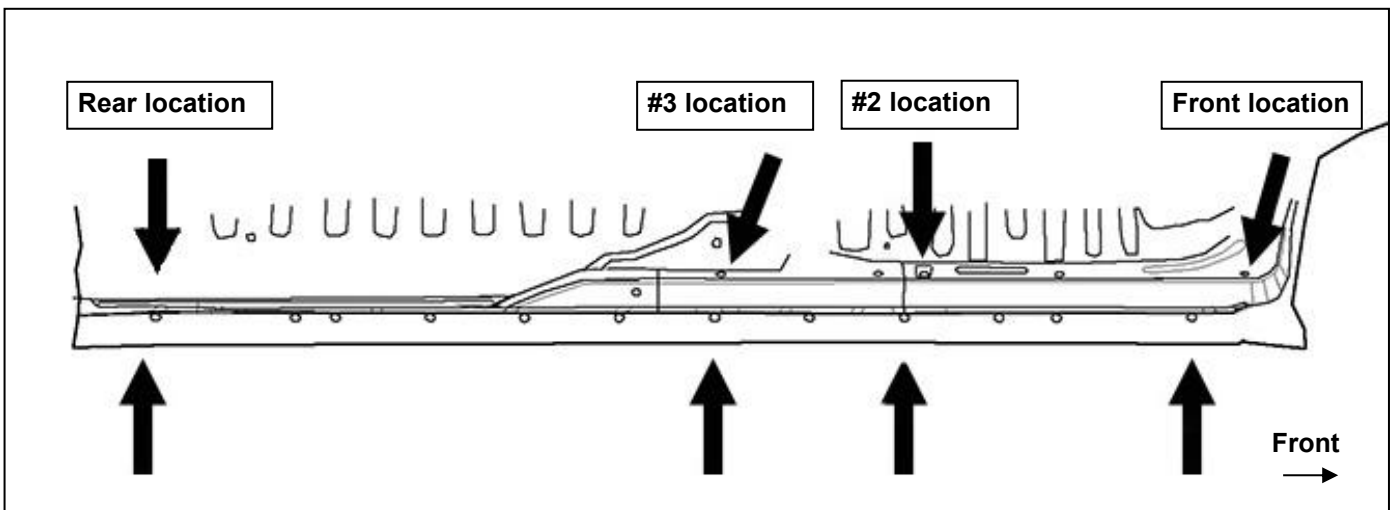


(Fig 18) Passenger/right #3 Bracket with Running Board



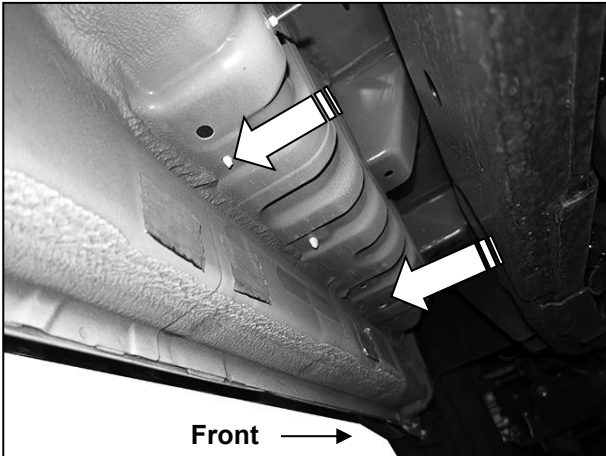
(Fig 19) Passenger/right rear Bracket with Running Board

Driver/left Side Installation Pictured



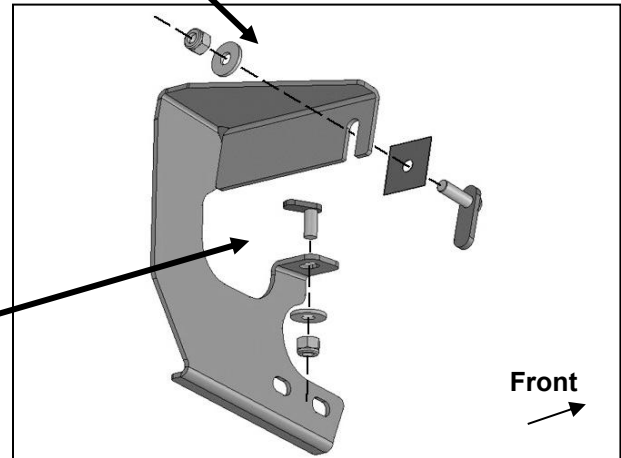
(Fig 20) Driver/left mounting location illustrated from behind/below vehicle

Driver/left Side Installation Pictured



(Fig 21) Driver/left front and center locations

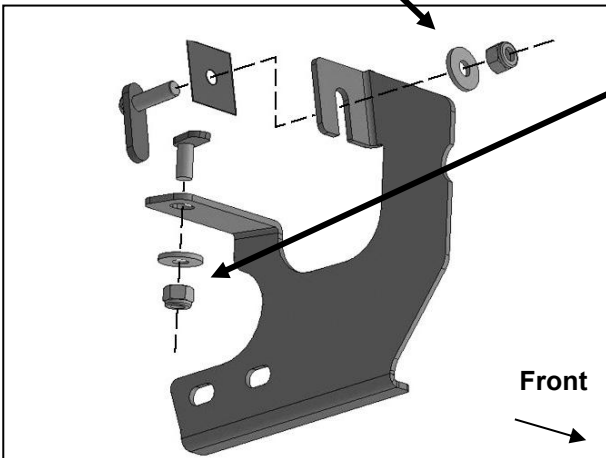
- 10mm x 50mm Large Bolt Plate
- 10mm Plastic Retainer
- 10mm Flat Washer
- 10mm Nylon Lock Nut



(Fig 22) Driver/left front Mounting Bracket

- 10mm x 35mm Small Bolt Plate
- 10mm Flat Washer
- 10mm Nylon Lock Nut

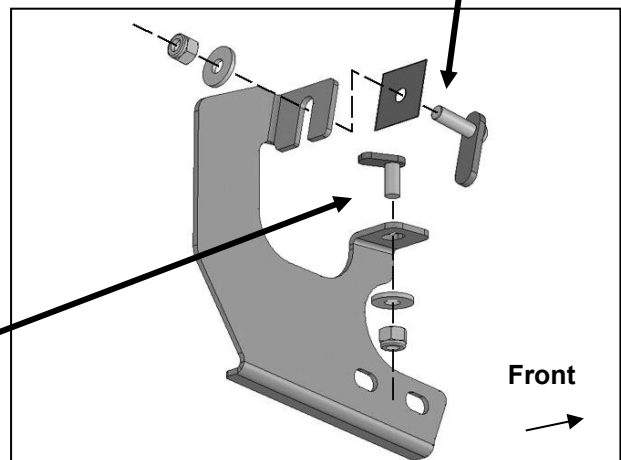
- 10mm x 50mm Large Bolt Plate
- 10mm Plastic Retainer
- 10mm Flat Washer
- 10mm Nylon Lock Nut



(Fig 23) Driver/left #2 Mounting Bracket

- 10mm x 35mm Small Bolt Plate
- 10mm Flat Washer
- 10mm Nylon Lock Nut

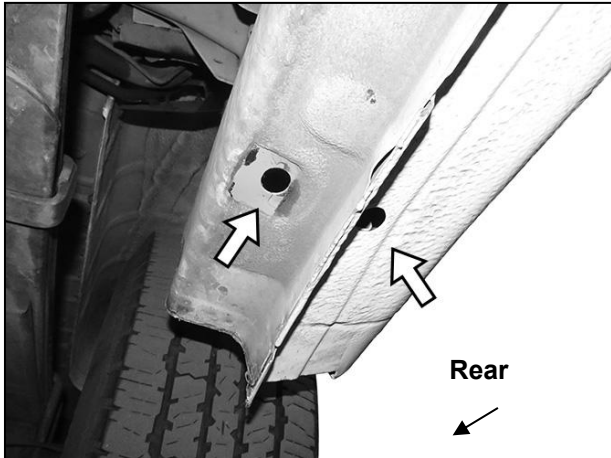
- 10mm x 50mm Large Bolt Plate
- 10mm Plastic Retainer
- 10mm Flat Washer
- 10mm Nylon Lock Nut



(Fig 24) Driver/left #3 Mounting Bracket

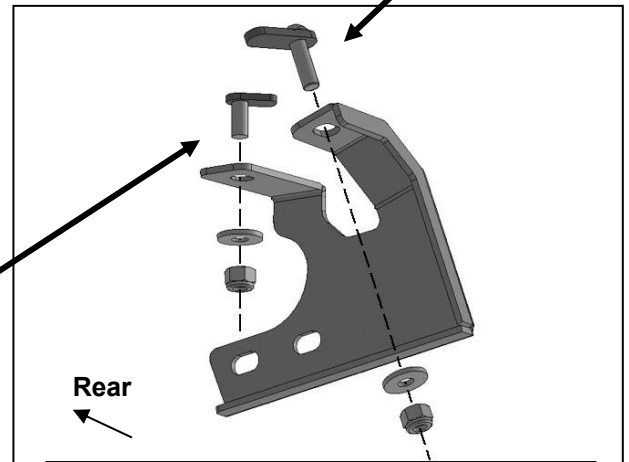
- 10mm x 35mm Small Bolt Plate
- 10mm Flat Washer
- 10mm Nylon Lock Nut

Driver/left Side Installation Pictured



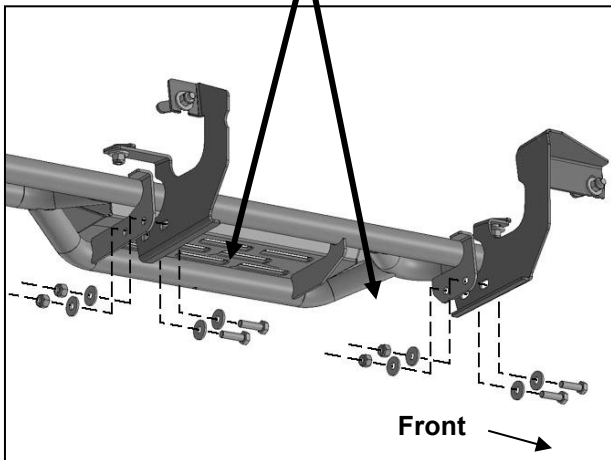
(Fig 25) Driver/left rear mounting location

- 10mm x 35mm Small Bolt Plate
- 10mm Flat Washer
- 10mm Nylon Lock Nut



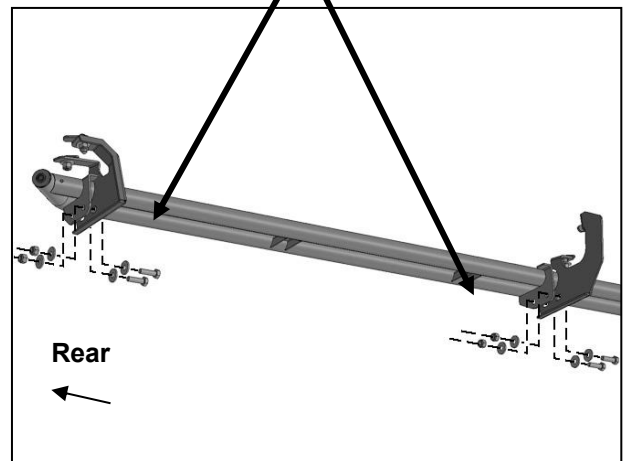
(Fig 26) Driver/left rear Mounting Bracket

- (2) 10mm x 35mm Hex Bolts
- (4) 10mm Flat Washers
- (2) 10mm Nylon Lock Nuts



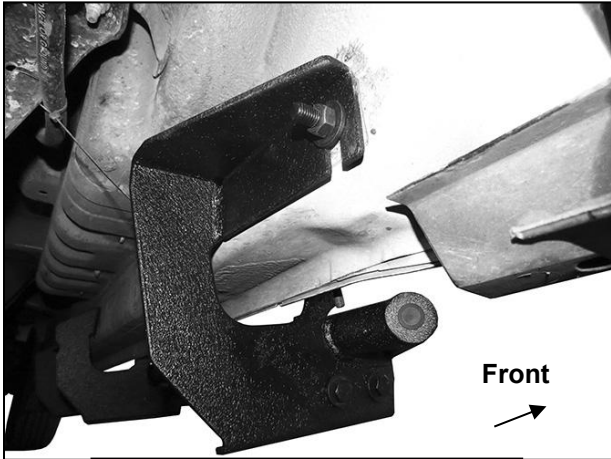
(Fig 27) Attach driver/left Running Board to back of front and #2 Brackets

- (2) 10mm x 35mm Hex Bolts
- (4) 10mm Flat Washers
- (2) 10mm Nylon Lock Nuts

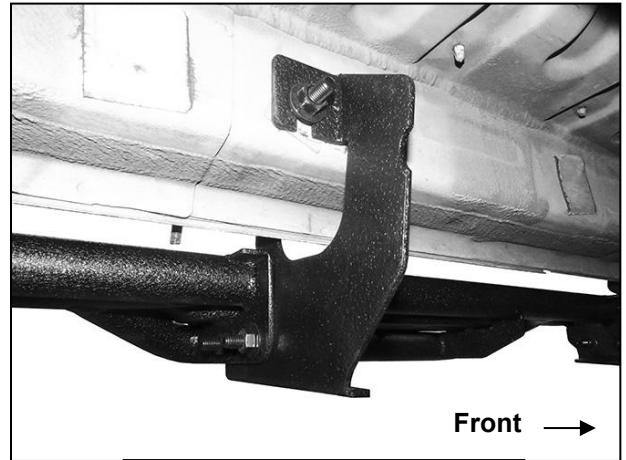


(Fig 28) Attach driver/left Running Board to back of #3 and rear Mounting Brackets

NB1 RUNNING BOARDS
2012-21 NISSAN NV 1500-3500 VAN (FULL SIZE)
Driver/left Side Installation Pictured



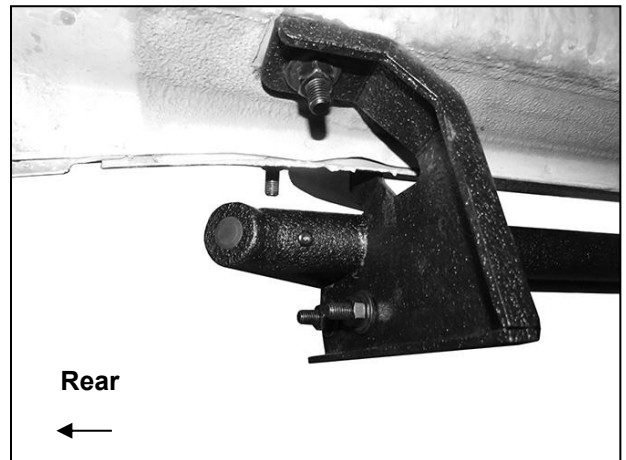
(Fig 29) Driver/left front Bracket with Running Board



(Fig 30) Driver/left #2 Bracket with Running Board



(Fig 31) Driver/left #3 Bracket with Running Board



(Fig 32) Driver/left rear Bracket with Running Board