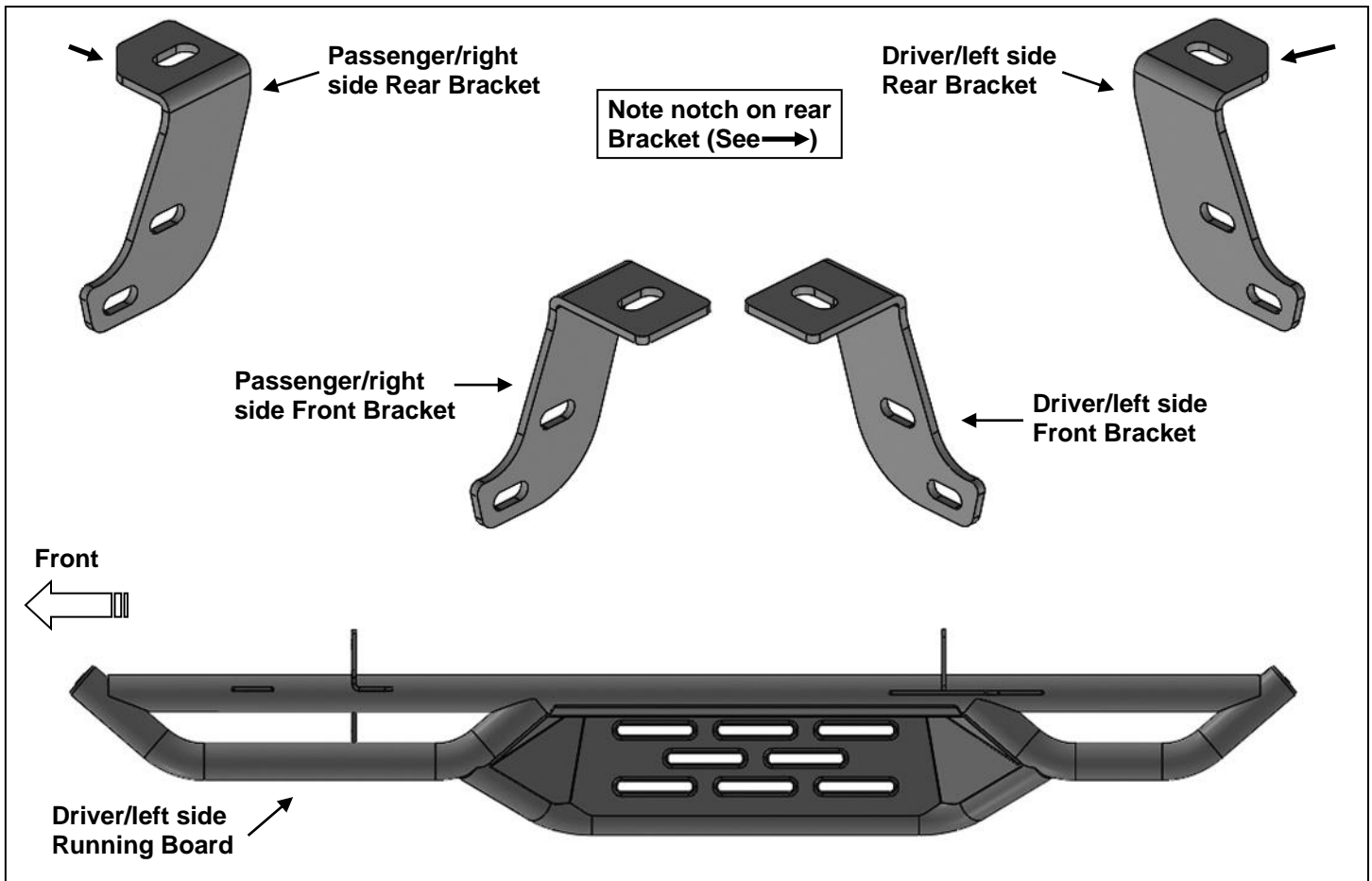


**PARTS LIST:**

1	Driver/left NB1 Running Board	8	10-1.5mm Nylon Lock Nuts
1	Passenger/right NB1 Running Board	4	8-1.25mm x 35mm Hex Bolts
1	Driver/left Front Mounting Bracket	4	8mm x 28mm x 3mm Flat Washers
1	Passenger/right Front Mounting Bracket	4	8mm Lock Washers
1	Driver/left Rear Mounting Bracket	8	6-1.0mm x 25mm Hex Bolts
1	Passenger/right Rear Mounting Bracket	16	6mm x 22mm x 2mm Flat Washers
8	10-1.5mm x 35mm Hex Bolts	8	6-1.0mm Nylon Lock Nuts
16	10mm x 27mm x 3mm Flat Washers		



**PROCEDURE:**

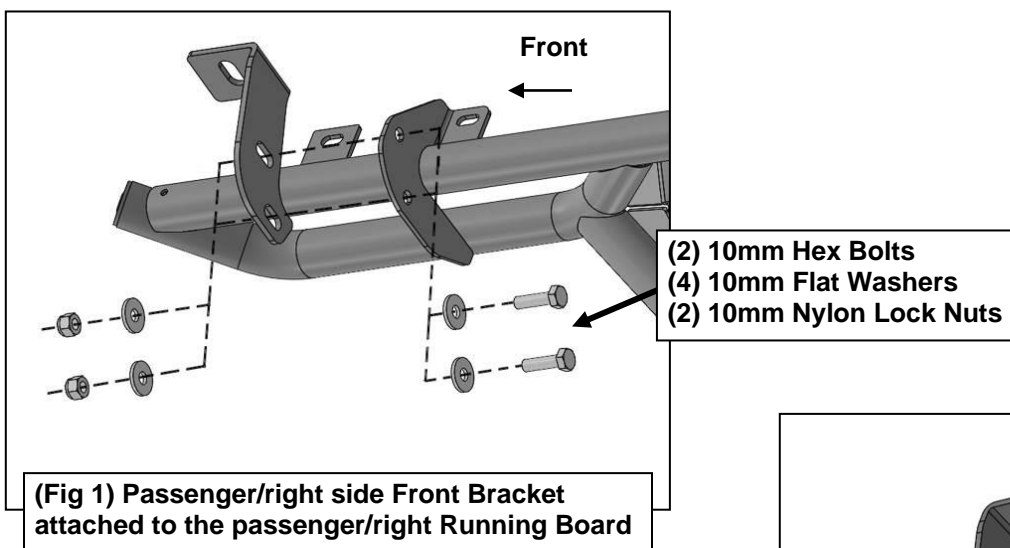
**REMOVE CONTENTS FROM BOX. VERIFY ALL PARTS ARE PRESENT. READ INSTRUCTIONS CAREFULLY. FACTORY INSTALLED OR AFTERMARKET "ROCK RAILS," SIDE STEPS OR RUNNING BOARDS MUST BE REMOVED.**

1. Start installation toward the front of the passenger side of the vehicle. Select and place the passenger/right side Front Bracket and the Passenger/right side Running Board on a stable clean flat surface. **NOTE:** Use the illustration above and **Figure 1** to help determine the correct Bracket and Running Board. Use the included (2) 10mm Hex Bolts, (4) 10mm x 27mm Flat Washers and (2) 10mm Nylon Lock Nuts to attach the Rear Bracket to the front side of the welded bracket on the Running Board, (**Figure 1**). Do not tighten hardware at this time.
2. Repeat **Step 1** to attach the Passenger side Rear Bracket to the front side of the welded brackets on the Running Board, (**Figure 2**).

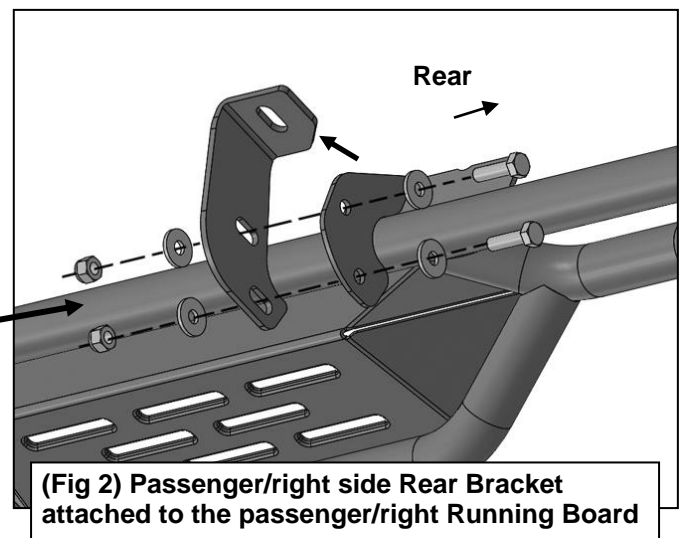
3. With assistance, position the mounting plates on the Running Board up to the **back** of the pinch weld. Line up the (2) mounting plates on the Running Board with the (2) pairs of holes on the pinch weld, (**Figures 3 & 4**).
4. Secure the Running Board to the **back** of the pinch weld using (4) 6mm Hex Bolts, (8) 6mm Flat Washers and (4) 6mm Nylon Lock Nuts, (**Figures 5—8**). **NOTE:** Insert bolts from the outside of the pinch weld and through the mounting plate.
5. Bolt the tab on the Mounting Brackets to the threaded inserts in the frame with (2) 8mm x 35mm Hex Bolts, (2) 8mm Lock Washers and (2) 8mm x 28mm Large Flat Washers, (**Figures 5—8**). Do not tighten hardware at this time.
6. Level and adjust the Running Board and tighten all hardware.
7. Repeat **Steps 1—6** for Driver/left side Running Board installation.
8. Do periodic inspections to the installation to make sure that all hardware is secure and tight.

**To protect your investment**, wax this product after installing. Regular waxing is recommended to add a protective layer over the finish. Do not use any type of polish or wax that may contain abrasives that could damage the finish. Mild soap may be used to clean the Running Board.

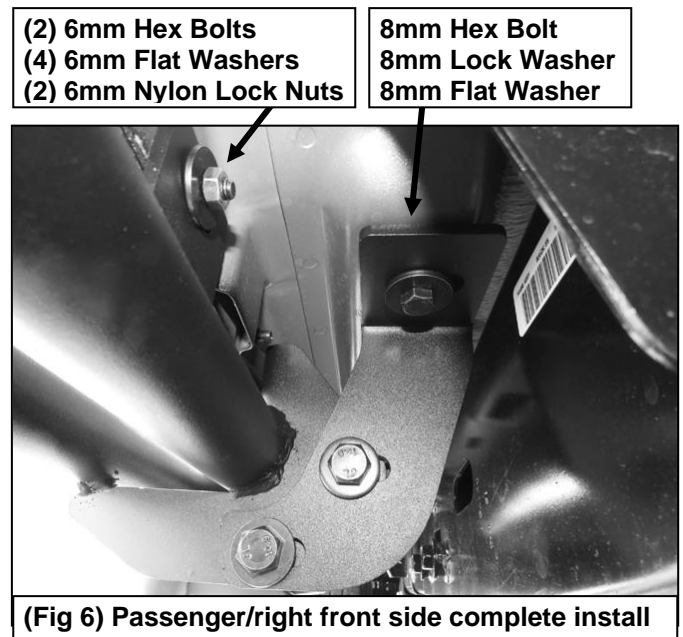
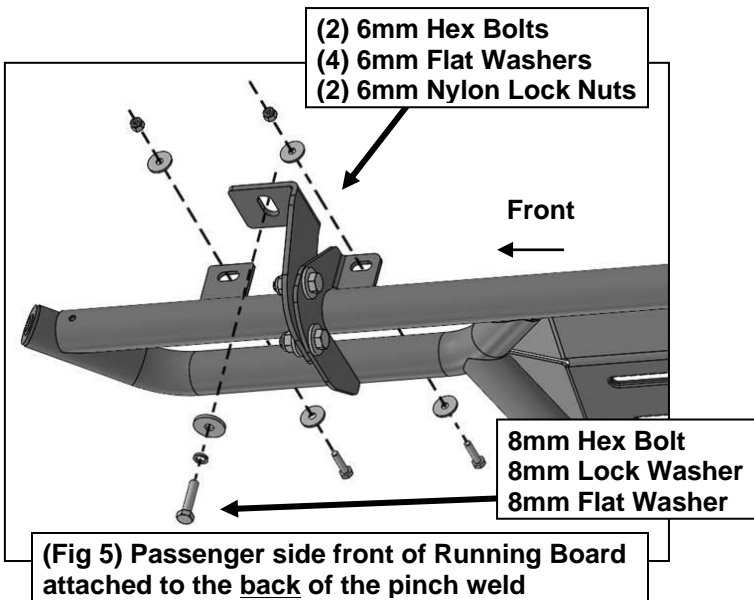
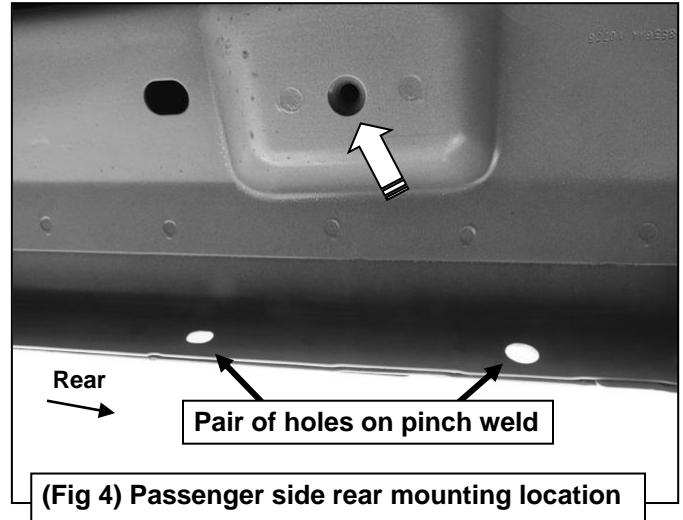
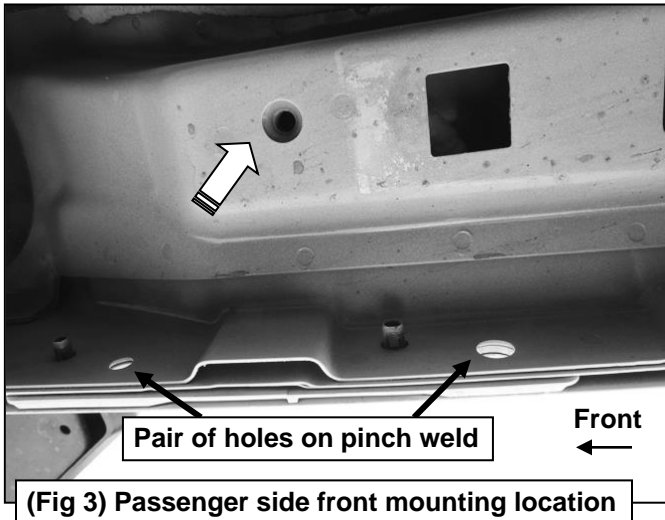
### Passenger/right Side Installation Pictured



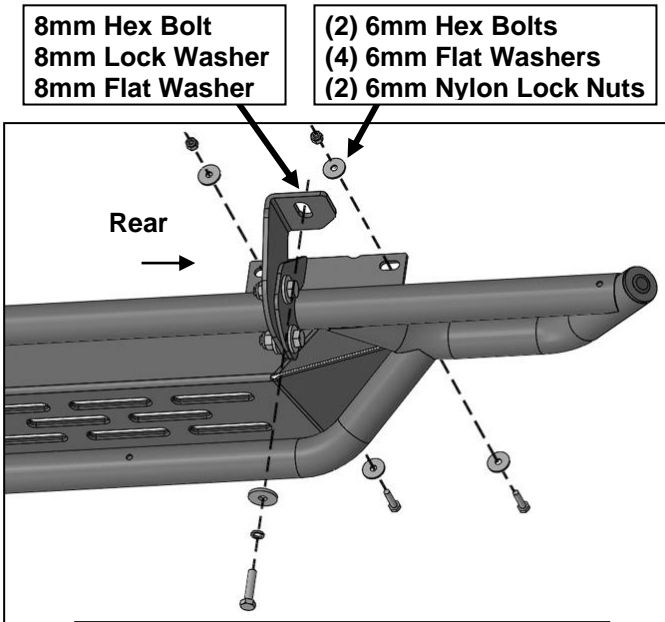
(2) 10mm Hex Bolts  
(4) 10mm Flat Washers  
(2) 10mm Nylon Lock Nuts



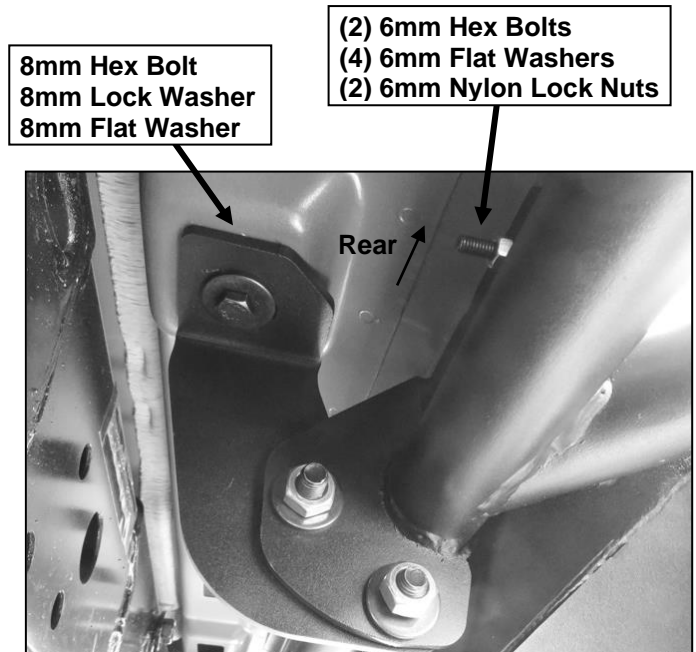
### Passenger/right Side Installation Pictured



### Passenger/right Side Installation Pictured



(Fig 7) Passenger side front of Running Board attached to the back of the pinch



(Fig 8) Passenger/right rear side complete install

