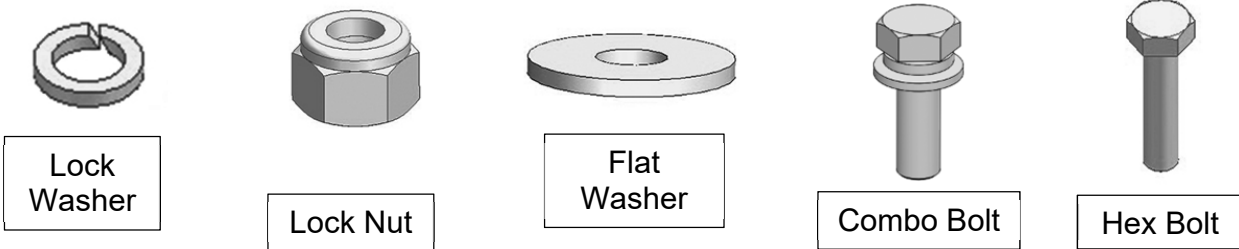
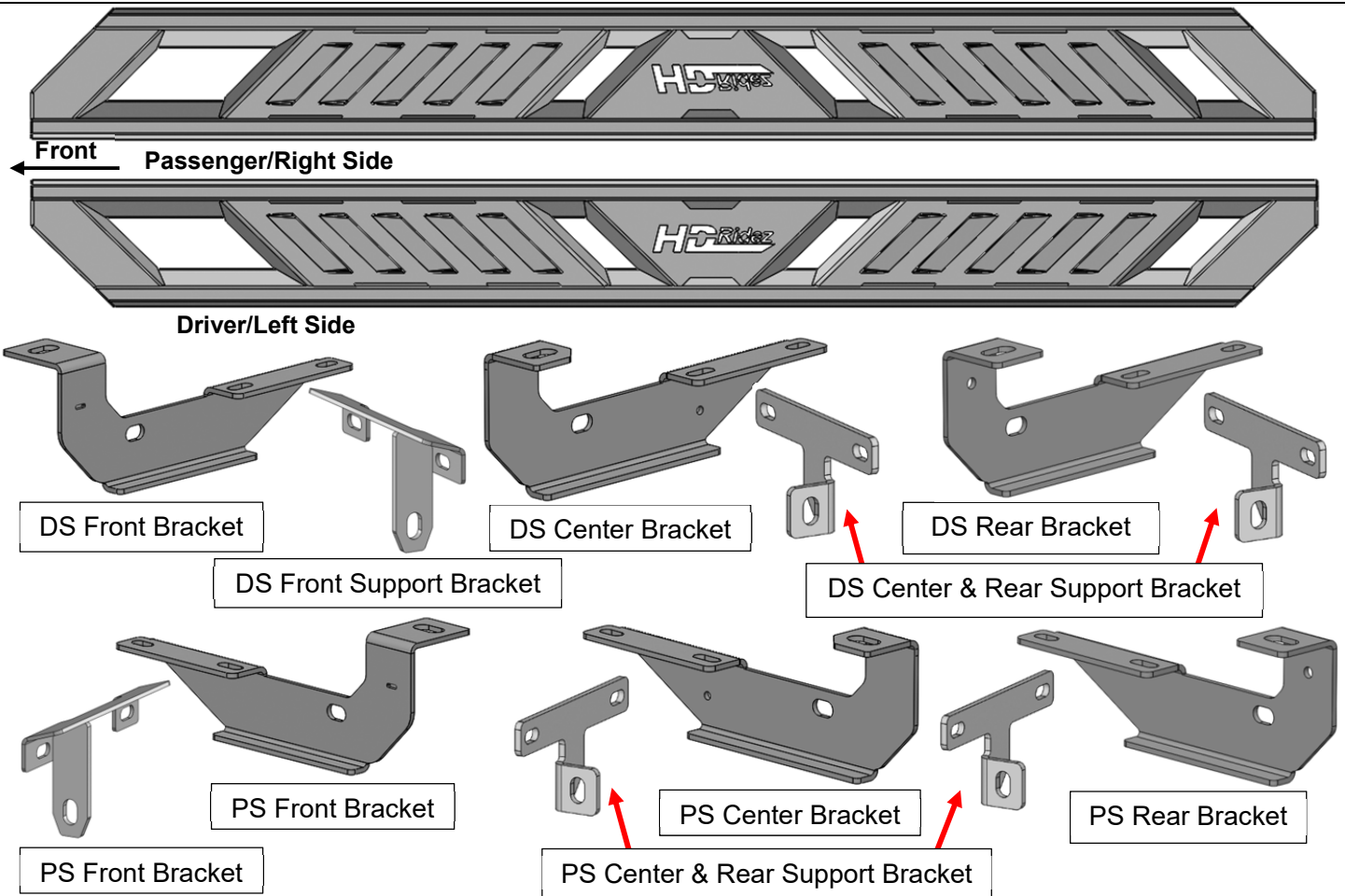


## INSTALLATION INSTRUCTIONS

### PARTS LIST:

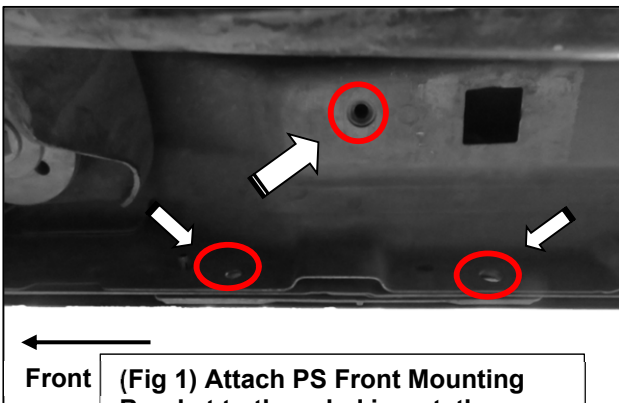
Qty	Item Description	Qty	Item Description
1	Driver/left Running Board	2	Passenger/right Center & Rear Support Bracket
1	Passenger/right Running Board	12	6-1.0mm x 25mm Hex Bolt
1	Driver/left Front Mounting Bracket	24	6mm x 22mm x 2mm Flat Washer
1	Passenger/right Front Mounting Bracket	12	6-1.0mm Nylon Lock Nut
1	Driver/left Center Mounting Bracket	12	8-1.25mm Combo Bolts
1	Passenger/right Center Mounting Bracket	6	8-1.25mm x 35mm Hex Bolt
1	Driver/left Rear Mounting Bracket	6	8mm x 28mm x 3mm Flat Washer
1	Passenger/right Rear Mounting Bracket	6	8mm Lock Washer
1	Driver/left Front Support Bracket	6	10-1.5mm x 30mm Hex Bolt
1	Passenger/right Front Support Bracket	12	10mm x 24mm x 2.2mm Flat Washer
2	Driver/left Center & Rear Support Bracket	6	10-1.5mm Nylon Lock Nut



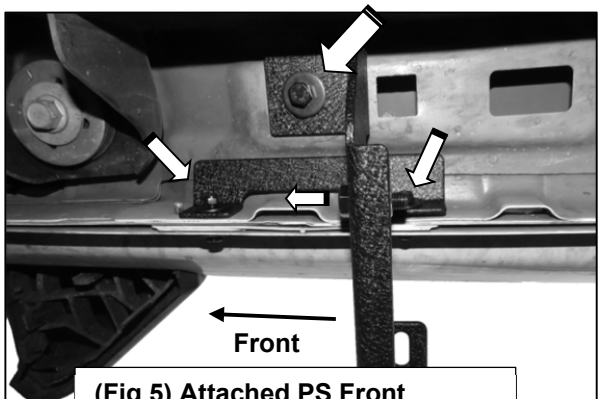
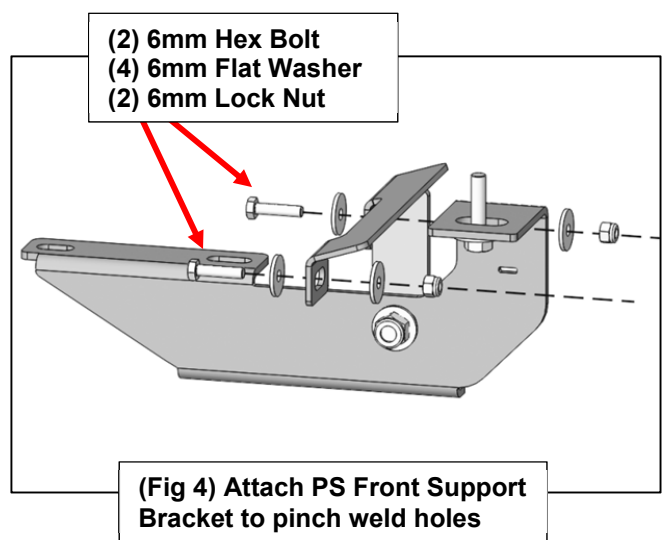
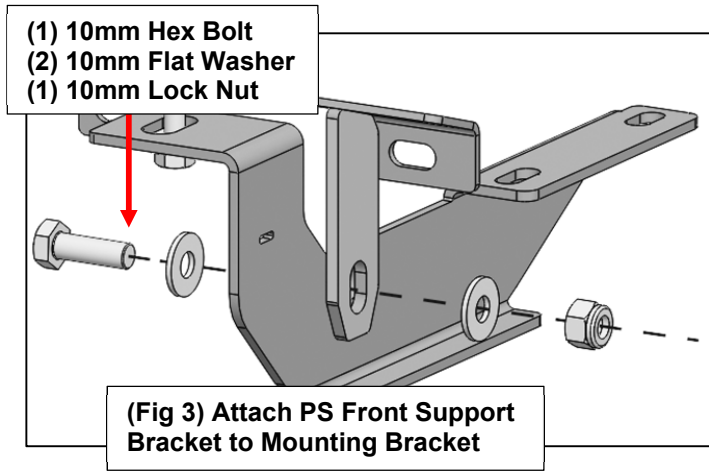
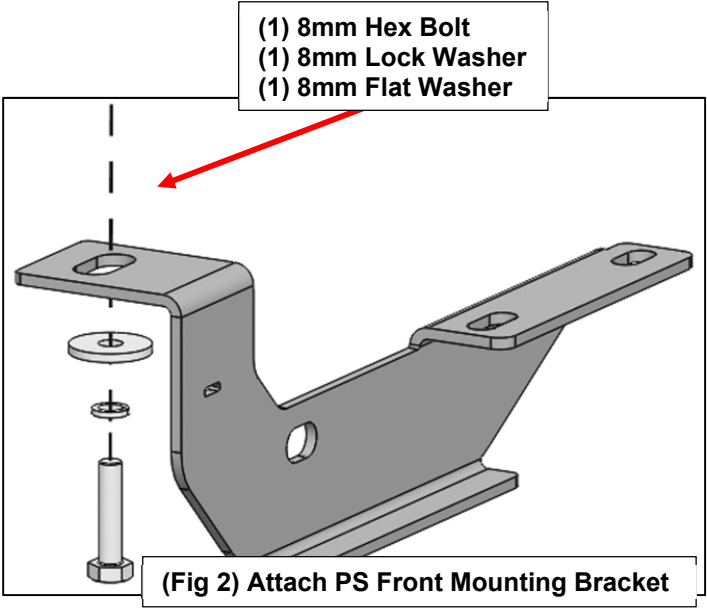
**TOOLS REQUIRED**



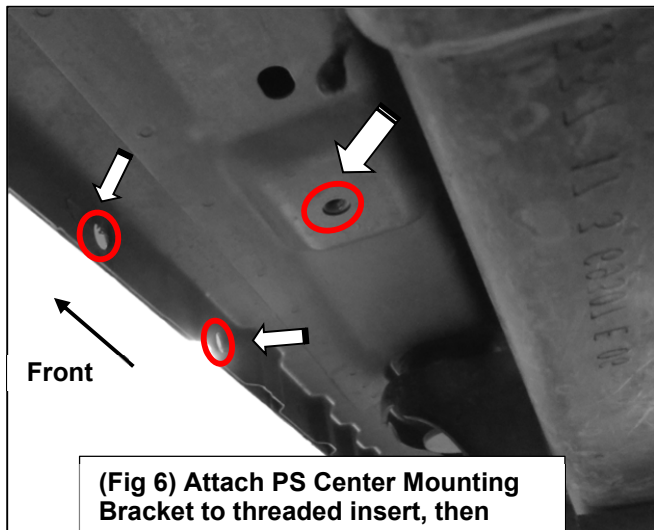
**1** Follow (Fig 1 – 15) to attach the Mounting Brackets to the Passenger Side then Support Brackets to Mounting Brackets. Repeat the following steps on the Driver Side.



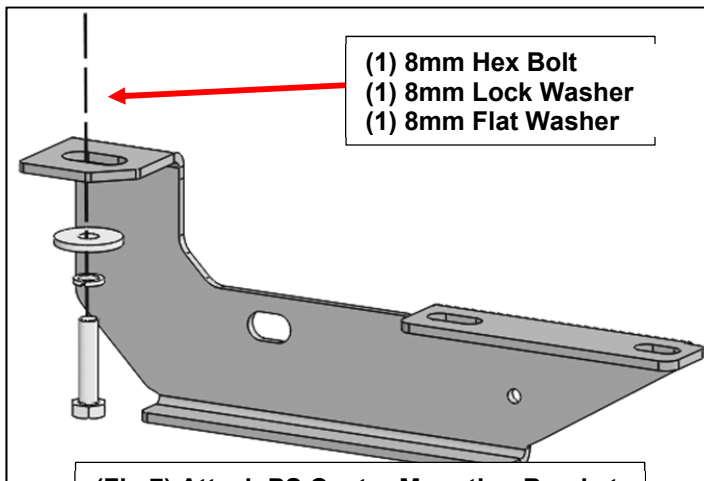
**(Fig 1) Attach PS Front Mounting Bracket to threaded insert, then attach Support Bracket to Mounting Bracket and pinch weld holes**



**(Fig 5) Attached PS Front Mounting and Support Bracket**

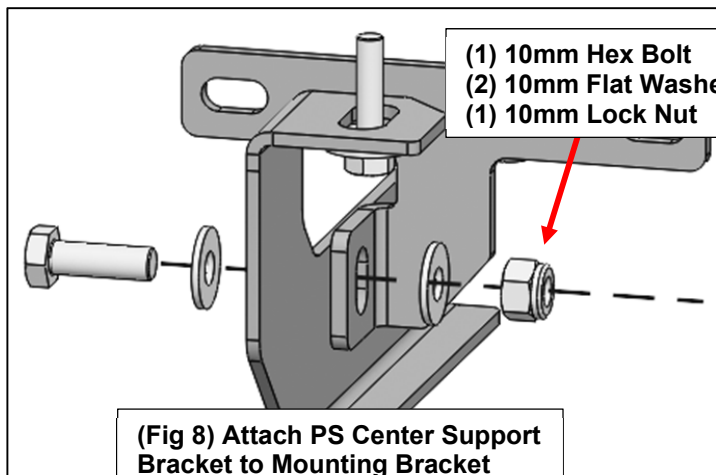


(Fig 6) Attach PS Center Mounting Bracket to threaded insert, then attach Support Bracket to Mounting Bracket and pinch weld holes



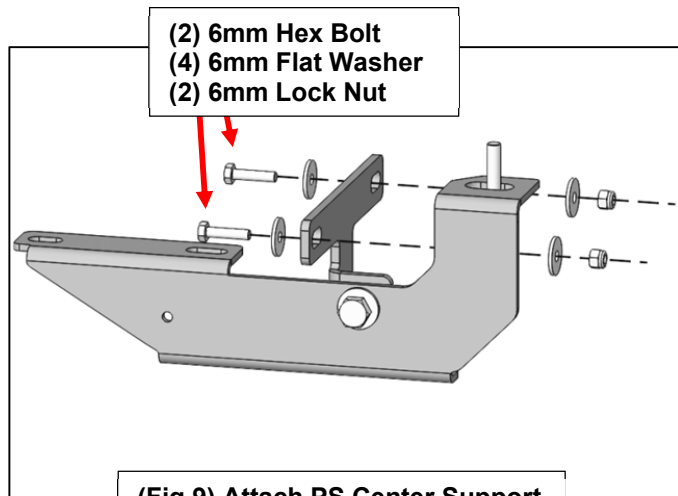
- (1) 8mm Hex Bolt
- (1) 8mm Lock Washer
- (1) 8mm Flat Washer

(Fig 7) Attach PS Center Mounting Bracket



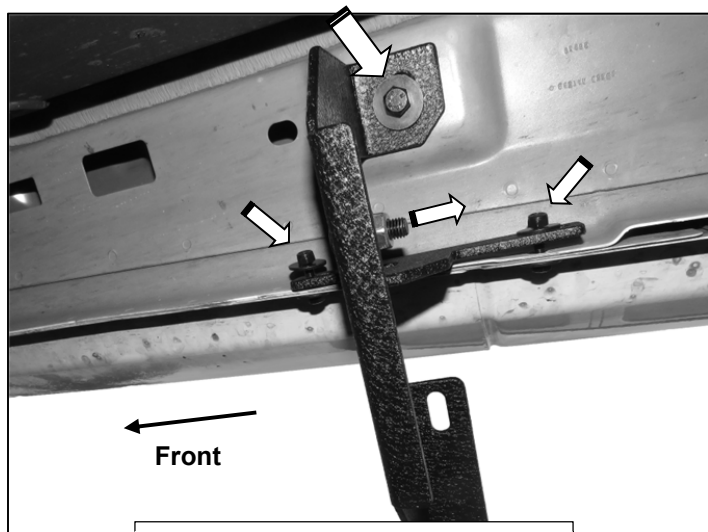
- (1) 10mm Hex Bolt
- (2) 10mm Flat Washer
- (1) 10mm Lock Nut

(Fig 8) Attach PS Center Support Bracket to Mounting Bracket

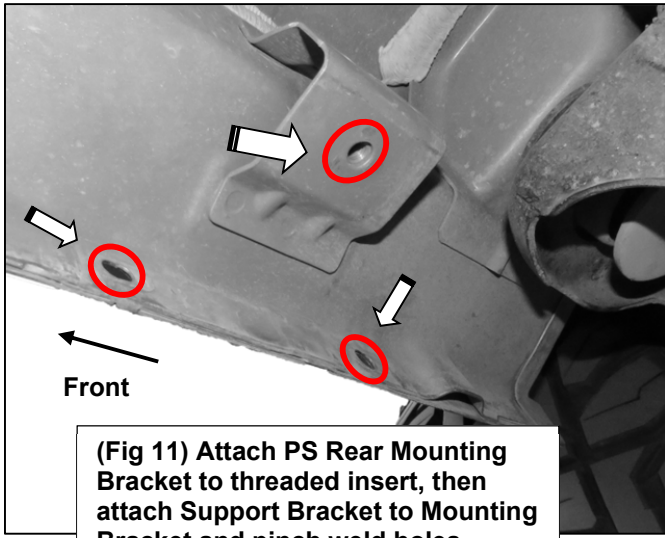


- (2) 6mm Hex Bolt
- (4) 6mm Flat Washer
- (2) 6mm Lock Nut

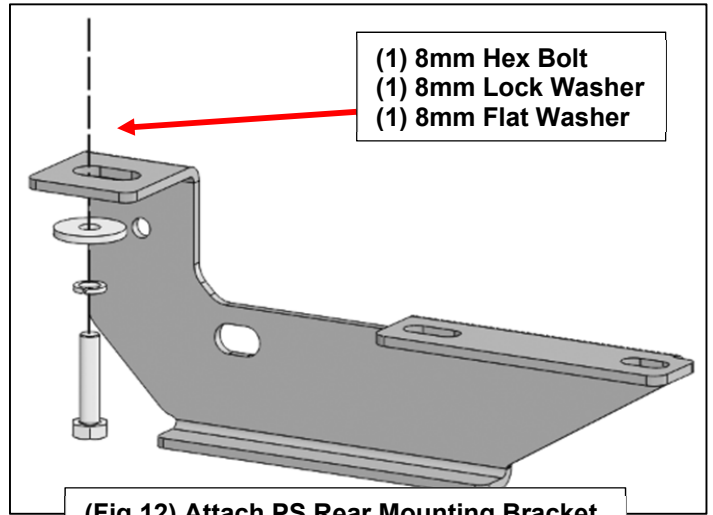
(Fig 9) Attach PS Center Support Bracket to pinch weld holes



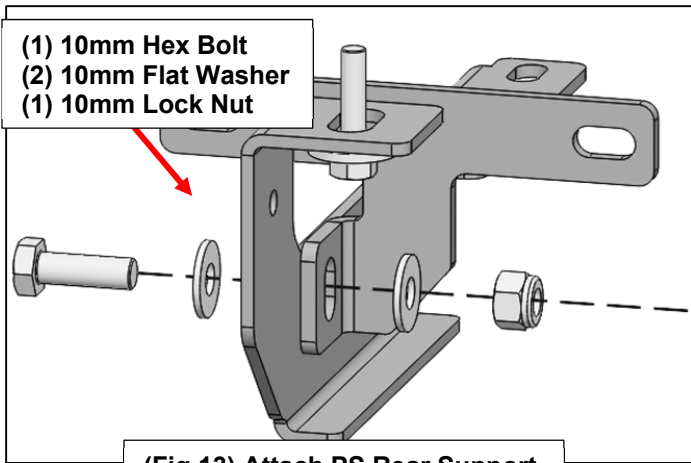
(Fig 10) Attached PS Center Mounting and Support Bracket



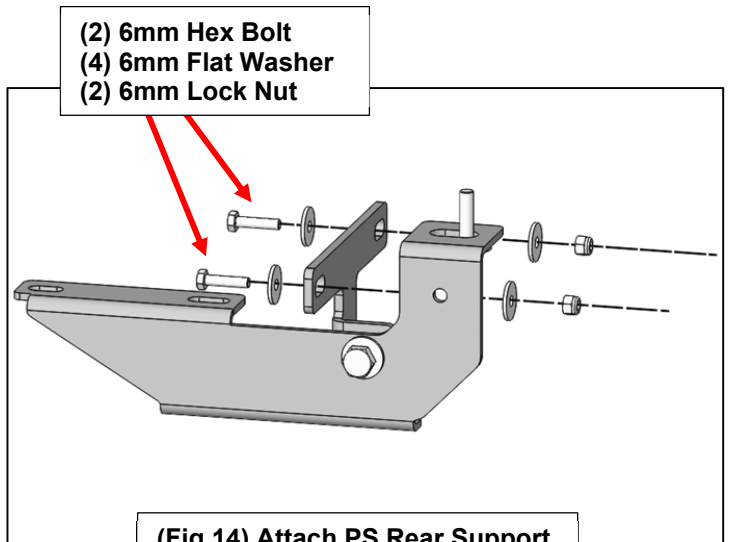
(Fig 11) Attach PS Rear Mounting Bracket to threaded insert, then attach Support Bracket to Mounting Bracket and pinch weld holes



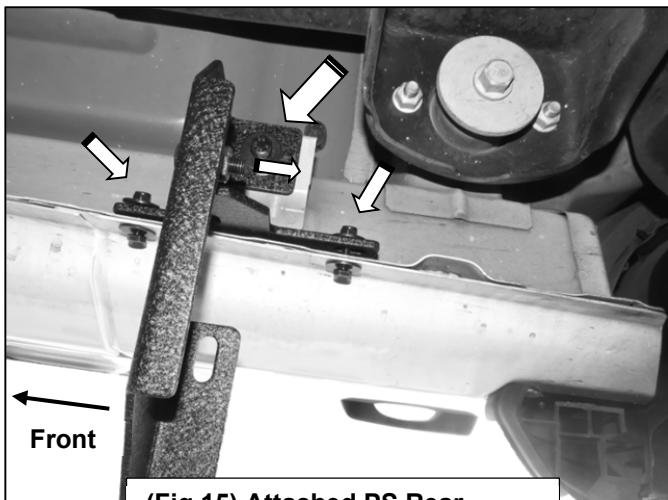
(Fig 12) Attach PS Rear Mounting Bracket



(Fig 13) Attach PS Rear Support Bracket to Mounting Bracket



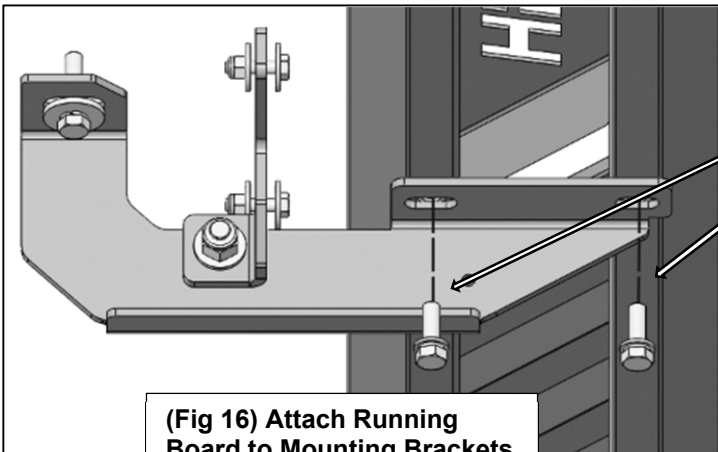
(Fig 14) Attach PS Rear Support Bracket to pinch weld holes



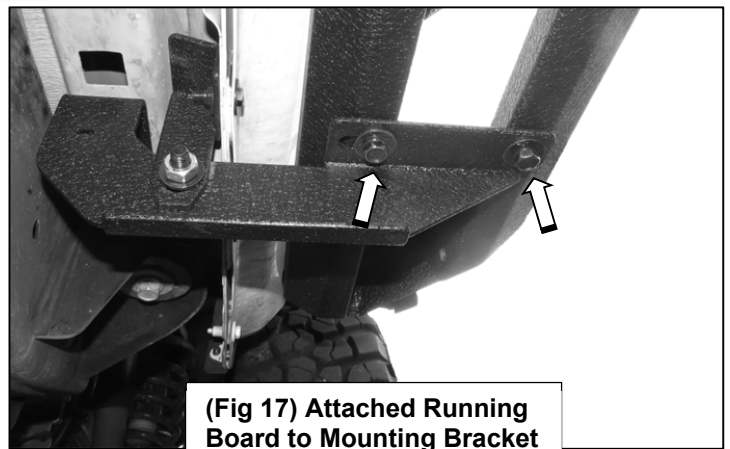
(Fig 15) Attached PS Rear Mounting and Support Bracket

**2**

Follow (Fig 16 – 17) to install the running board. Repeat the following steps on the Driver Side.



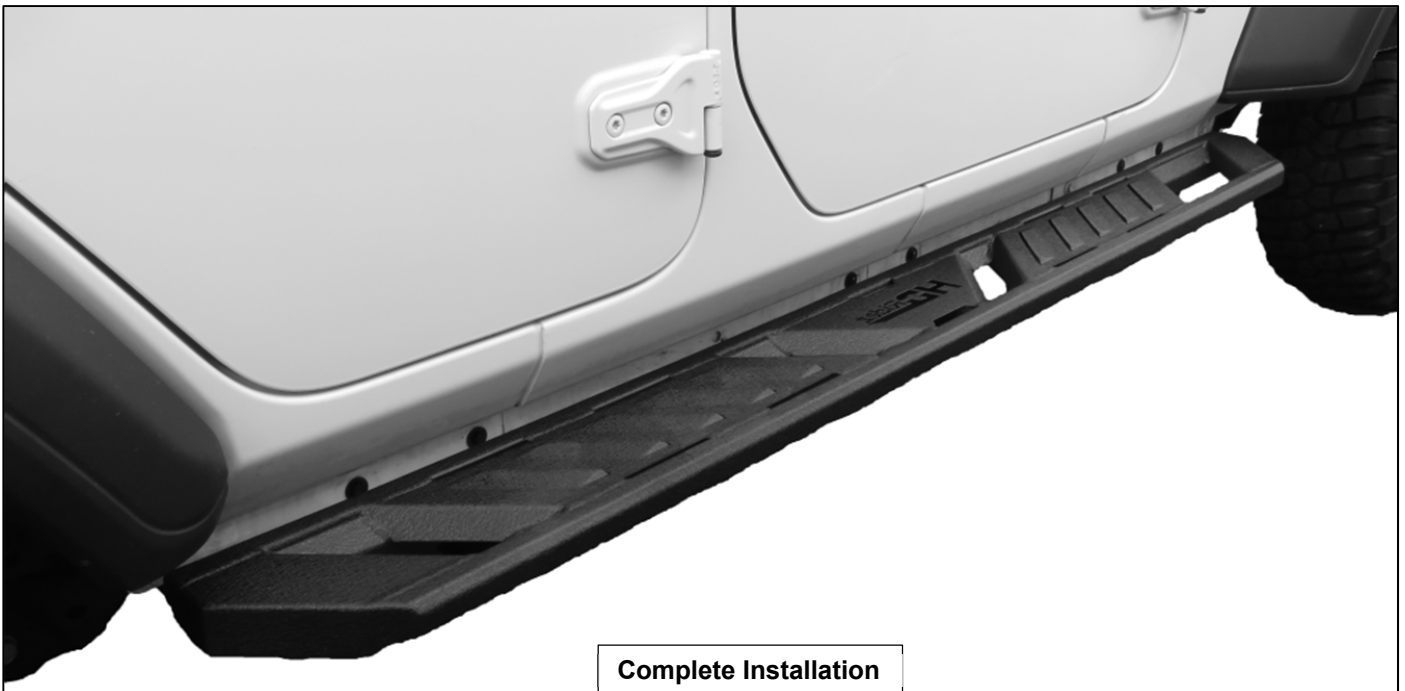
(Fig 16) Attach Running Board to Mounting Brackets



(Fig 17) Attached Running Board to Mounting Bracket

**3**

Installation is complete. Do periodic inspections to the installation to make sure that all hardware is secure and tight.



Complete Installation