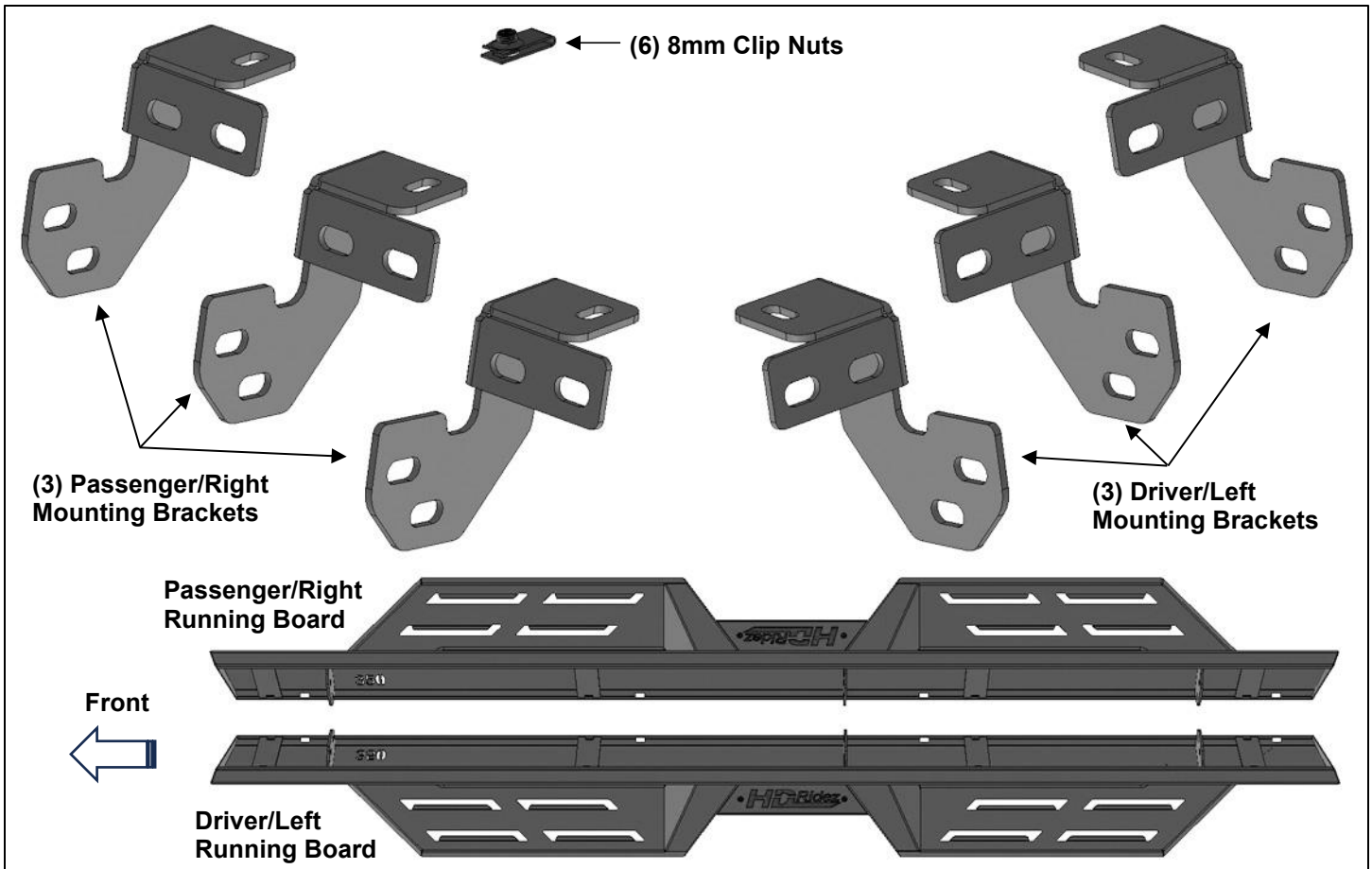


PARTS LIST:

1	Driver/left Running Boards	6	8mm Clip Nuts
1	Passenger/right Running Board	6	8-1.25mm x 30mm Hex Bolts
3	Driver/Left Mounting Brackets	12	8-1.25mm x 25mm Hex Bolts
3	Passenger/Right Mounting Brackets	30	8mm x 24mm x 2mm Flat Washers
12	10-1.5mm x 30mm Hex Bolts	18	8mm Lock Washers
24	10mm x 20mm x 2mm Flat Washers	12	8mm Hex Nuts
12	10mm Nylon Lock Nuts		



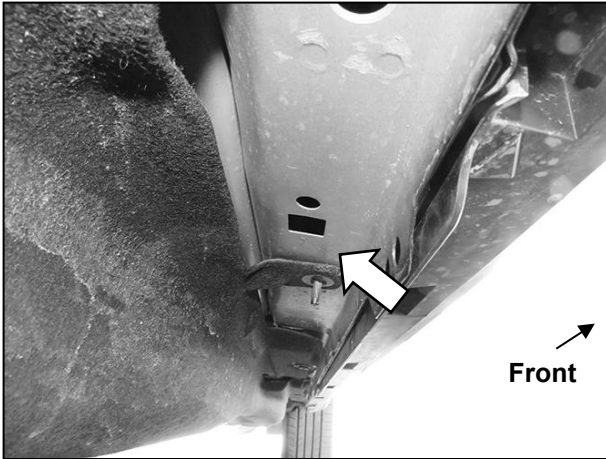
PROCEDURE:

- 1. REMOVE CONTENTS FROM BOX. VERIFY ALL PARTS ARE PRESENT. READ INSTRUCTIONS CAREFULLY BEFORE STARTING INSTALLATION.**
- Start installation at the front of the driver/left side of the vehicle. Temporarily release the bottom of the plastic side panel from the body. Locate the square hole, small round hole and (2) round holes in the pinch weld, **(Figure 1)**.
- Select (1) 8mm Clip Nut. Slide the Clip Nut into the square hole and line up the nut on the Clip Nut with the smaller round hole, **(Figure 2)**.
- Select (1) driver/left Mounting Bracket, **(Figure 3)**. Attach the Bracket to the 8mm Clip Nut with (1) 8mm x 30mm Hex Bolt, (1) 8mm Lock Washer and (1) 8mm Flat Washer. Do not tighten hardware.
- Attach the Bracket to the back of the pinch weld with (2) 8mm x 25mm Hex Bolts, (4) 8mm Flat Washers, (2) 8mm Lock Washers and (2) 8mm Hex Nuts, **(Figures 4 & 5)**. Do not tighten hardware.
- Move along the body to the center mounting location, **(Figure 6)**. Repeat **Steps 2—5** to attach (1) driver/left Mounting Bracket to the center location, **(Figure 7)**. Do not tighten hardware.
- Continue along the side of the vehicle to the rear mounting location, **(Figure 8)**. Repeat **Steps 2—5** to attach the remaining (1) driver/left Mounting Bracket to the rear location, **(Figure 9)**.

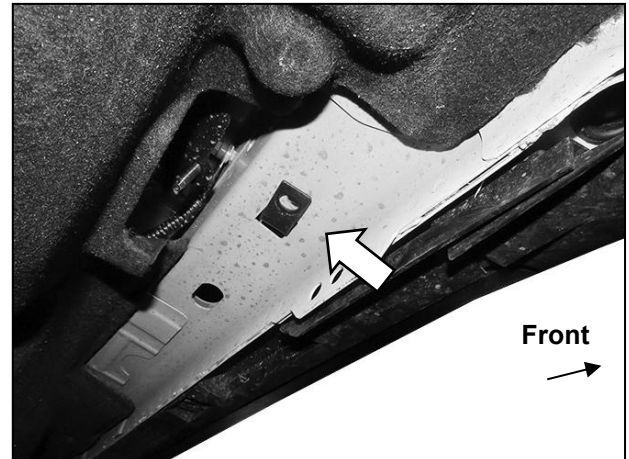
8. Select the driver/left Running Board. Attach the Running Board to the front of the Mounting Brackets with the included (6) 10mm x 30mm Hex Bolts, (12) 10mm Flat Washers and (6) 10mm Nylon Lock Nuts, **(Figures 10—13)**. Do not tighten hardware at this time.
9. Level and adjust the Running Board and tighten all hardware. Reattach the plastic side panel.
10. Repeat **Steps 2—9** to attach the passenger/right Running Board.
11. Do periodic inspections to the installation to make sure that all hardware is secure and tight.

To protect your investment, Do not use any type of polish or wax that may contain abrasives that could damage the finish. Mild soap may be used to clean the Running Boards.

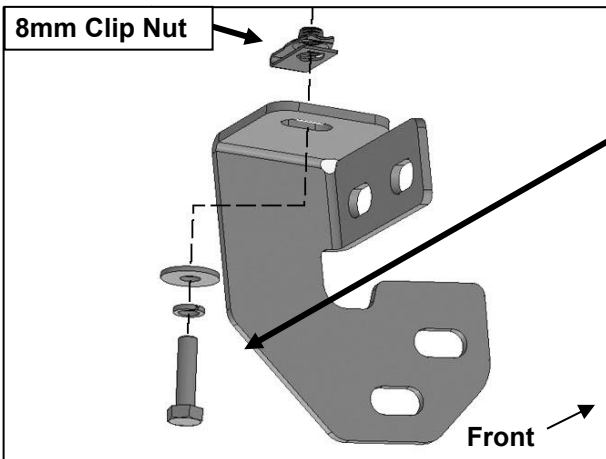
Driver/left side Installation Pictured



(Fig 1) Driver/Left front mounting location. Note square and round hole in each location



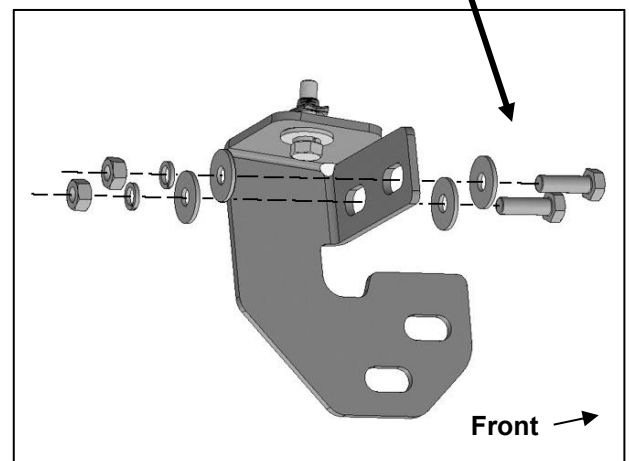
(Fig 2) Slide (1) 8mm Clip Nut into the driver/left square hole. Line up threaded nut on Clip Nut with round hole



(Fig 3) Attach (1) driver/left Mounting Bracket to the Clip Nut

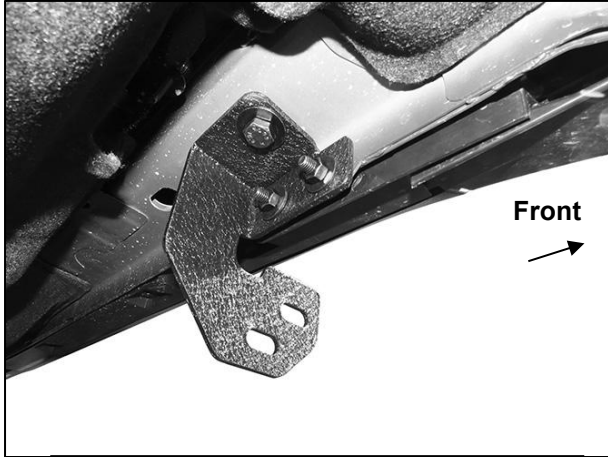
8mm x 30mm Hex Bolt
8mm Lock Washer
8mm Flat Washer

(2) 8mm x 25mm Hex Bolts
(4) 8mm Flat Washers
(2) 8mm Lock Washers
(2) 8mm Hex Nuts



(Fig 4) Attach the driver/left Mounting Bracket to the pinch weld

Driver/left side Installation Pictured



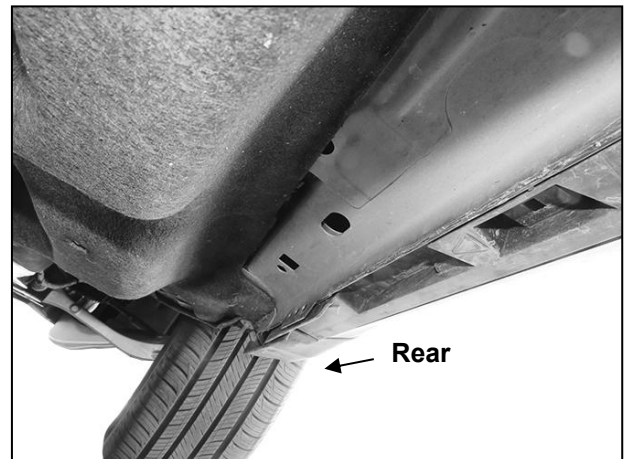
(Fig 5) Driver/left front Bracket installed



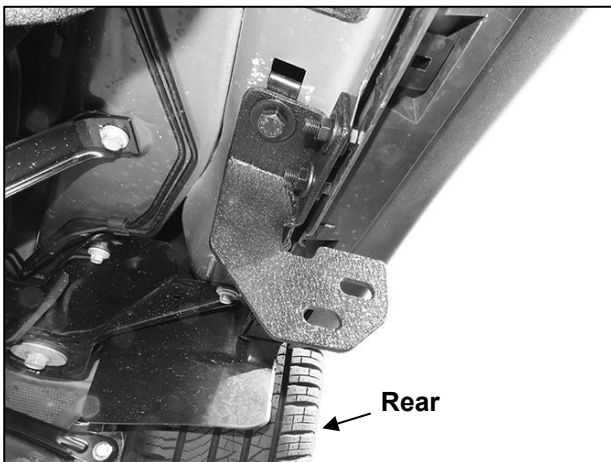
(Fig 6) Driver/left center mounting location



(Fig 7) Driver/left center Bracket installed

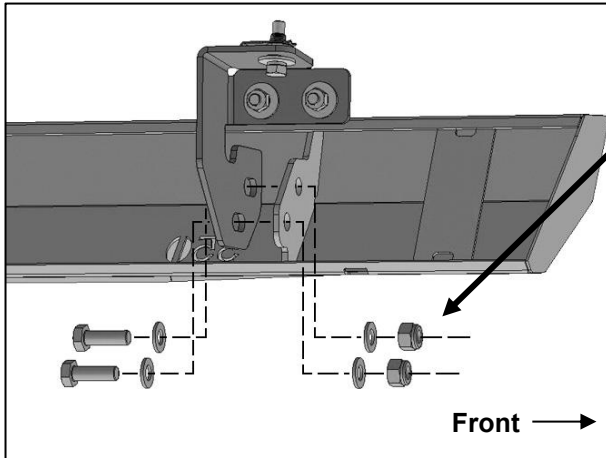


(Fig 8) Driver/left rear mounting location



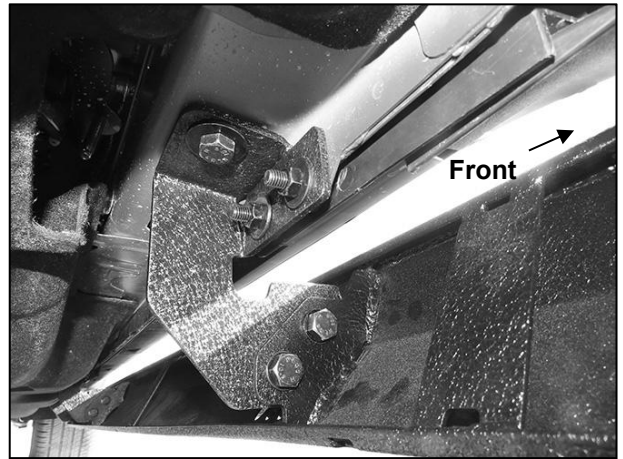
(Fig 9) Driver/left rear Bracket installed

Driver/left side Installation Pictured

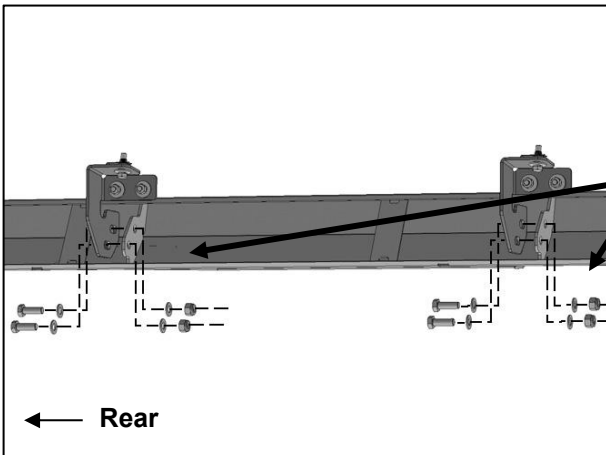


- (2) 10mm x 30mm Hex Bolts
- (4) 10mm Flat Washers
- (2) 10mm Nylon Lock Nuts

(Fig 10) Attach the Running Board to the front of the front Mounting Bracket

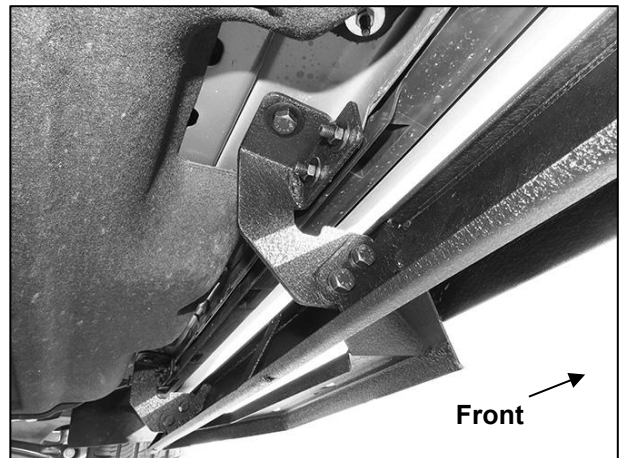


(Fig 11) Driver/left front complete installation



- (2) 10mm x 30mm Hex Bolts
- (4) 10mm Flat Washers
- (2) 10mm Nylon Lock Nuts

(Fig 12) Attach the Running Board to the front of the center and rear Mounting Brackets



(Fig 13) Driver/left Running Board attached to center and rear Brackets



Complete Installation