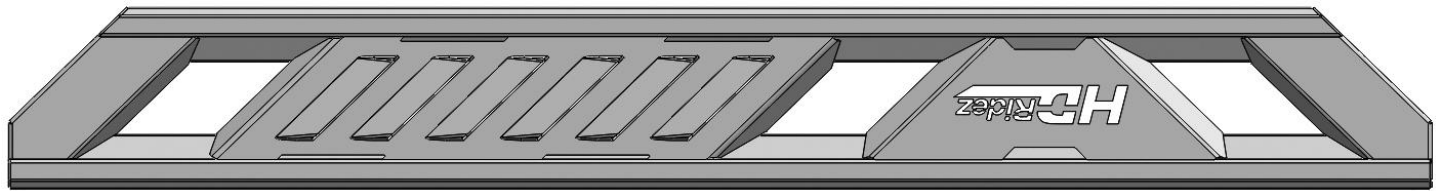


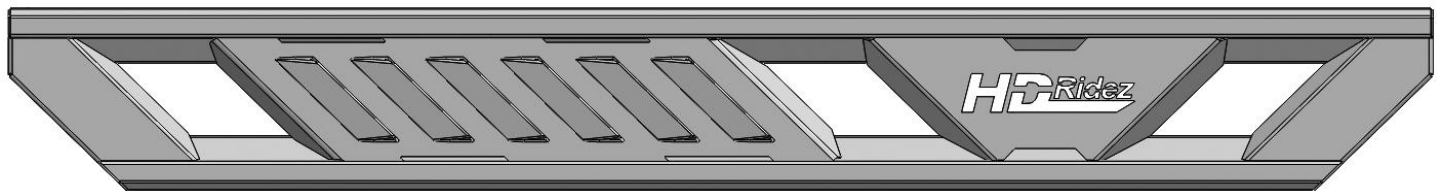
### Installation Instructions

**PARTS LIST:**

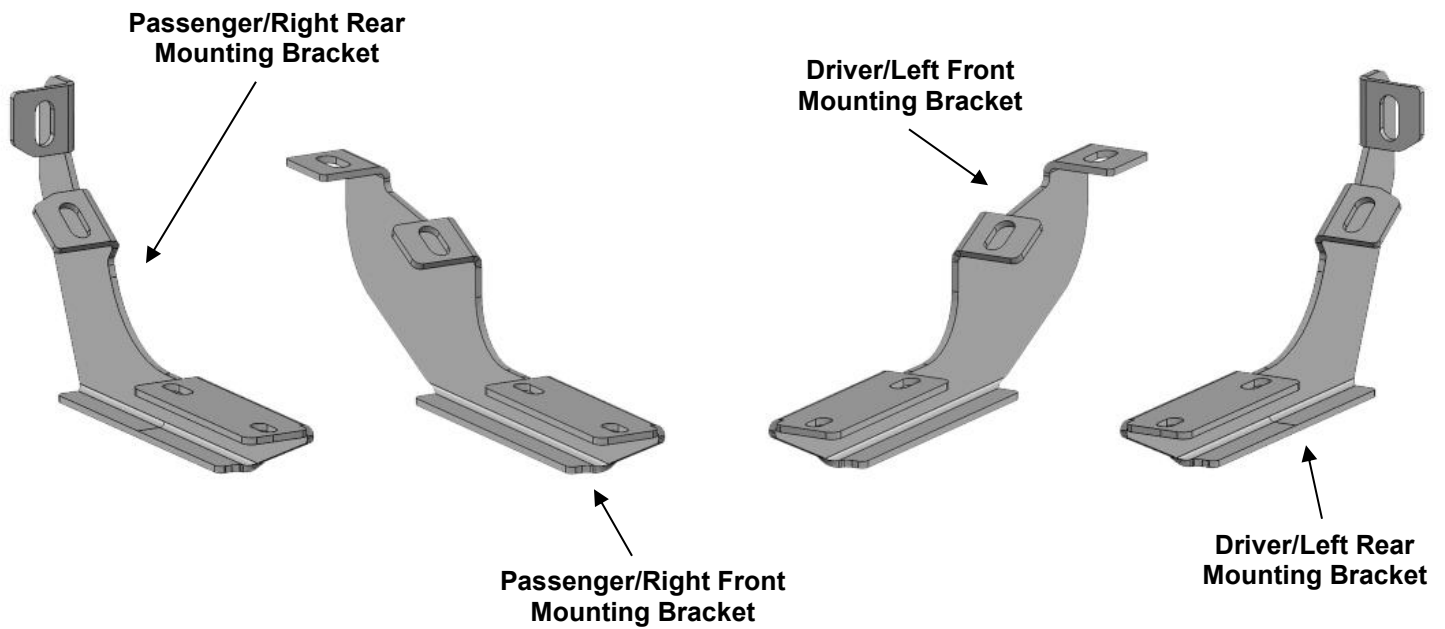
Qty	Item Description	Qty	Item Description
1	Driver/Left Running Board (53")	1	Passenger/Right Rear Mounting Bracket
1	Passenger/Right Running Board (53")	8	8-1.25mm x 25mm Combo Bolts
1	Driver/Left Front Mounting Bracket	8	10-1.5mm x 30mm Hex Bolts
1	Passenger/Right Front Mounting Bracket	8	10mm x 27mm x 3mm Flat Washers
1	Driver/Left Rear Mounting Bracket	8	10mm Lock Washers



Passenger/Right Running Board



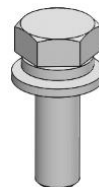
Driver/Left Running Board



Lock Washer



Flat Washer



Combo Bolt

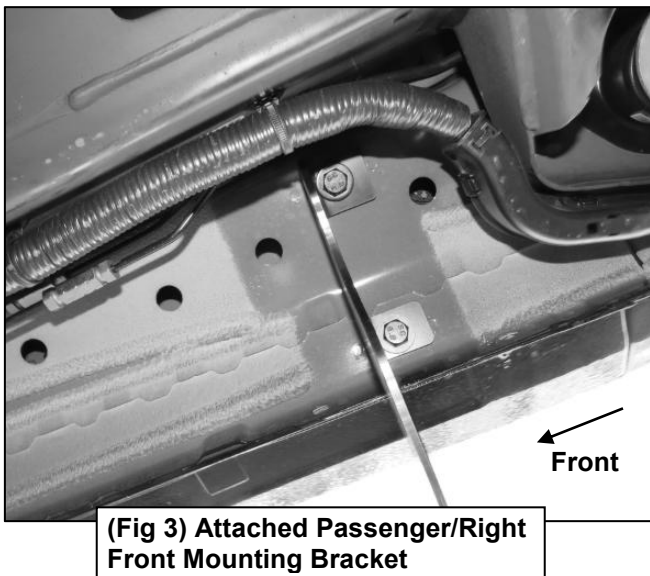
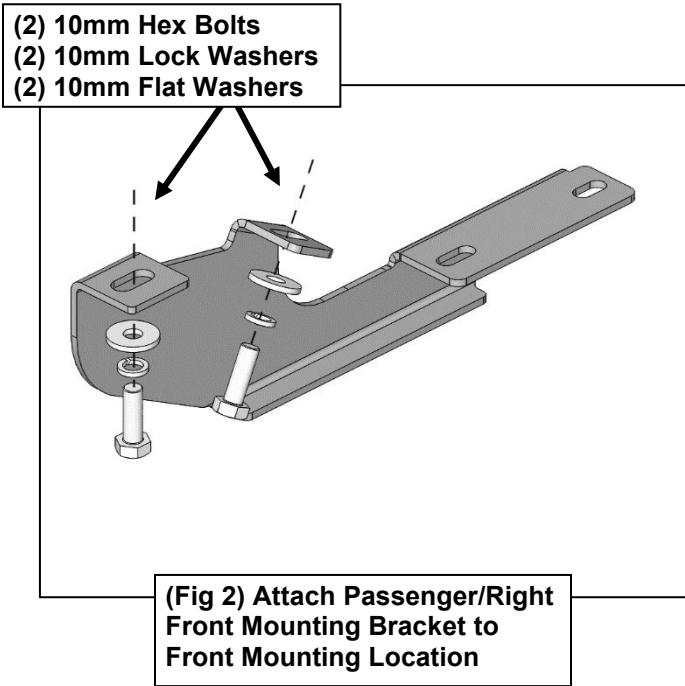
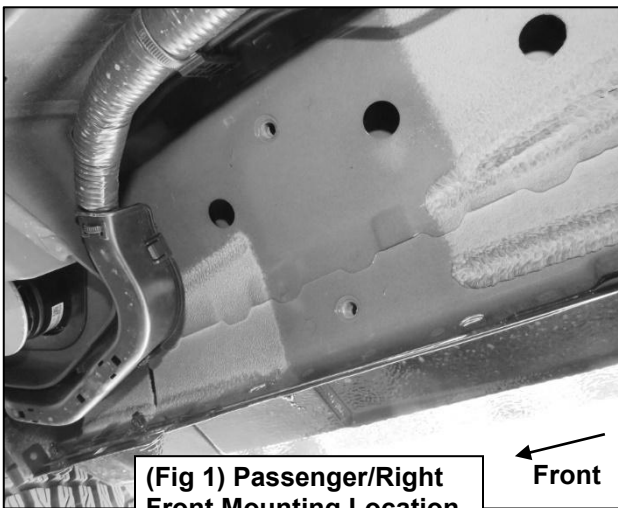


Hex Bolt

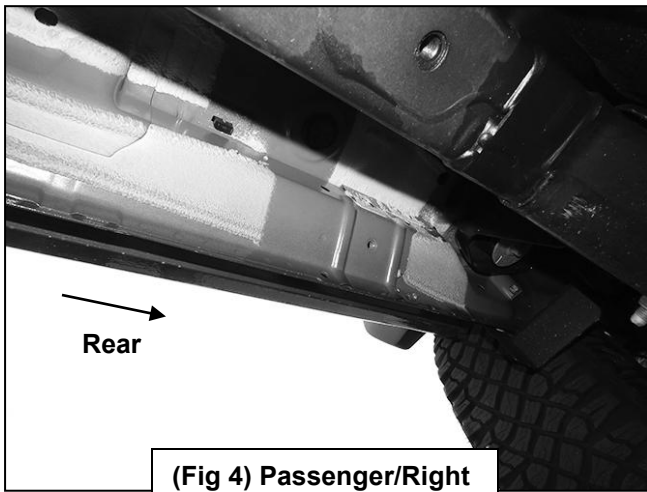
**TOOLS REQUIRED**

 <p>Ratchet</p>	 <p>13mm Socket</p>	 <p>Extensions</p>	 <p>Wrench</p>
--	--	--	---

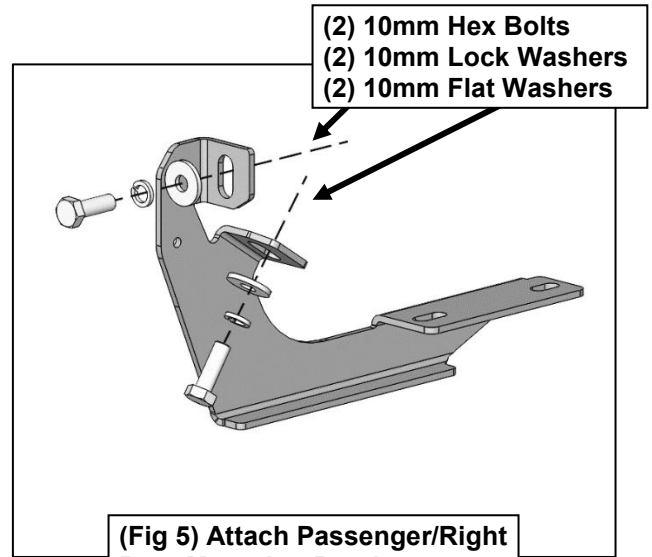
**1** Follow (Fig 1 – 6) to attach Passenger/Right Mounting Brackets. Ensure hardware is hand tightened. Repeat the following steps on the Driver Side.



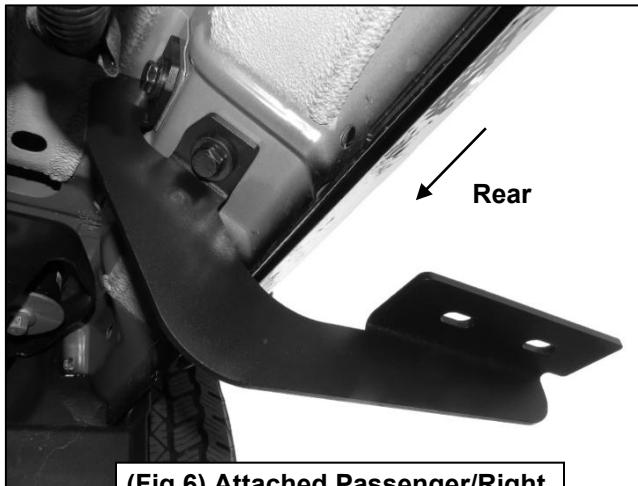
**SR1 Running Board  
2021+ Ford Bronco 2DR**



**(Fig 4) Passenger/Right  
Rear Mounting Location**



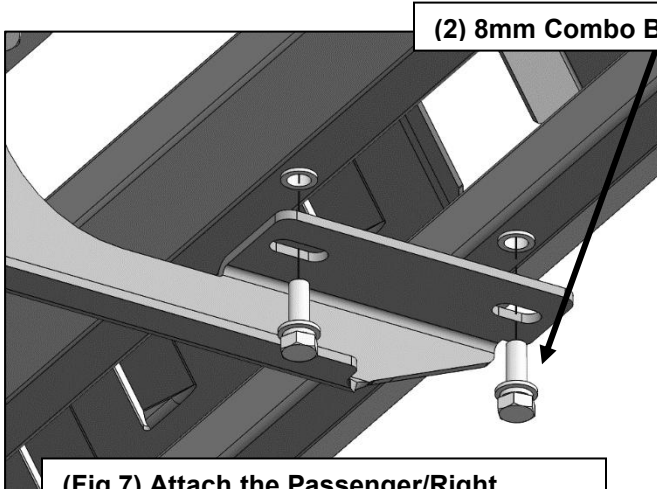
**(Fig 5) Attach Passenger/Right  
Rear Mounting Bracket to  
Rear Mounting Location**



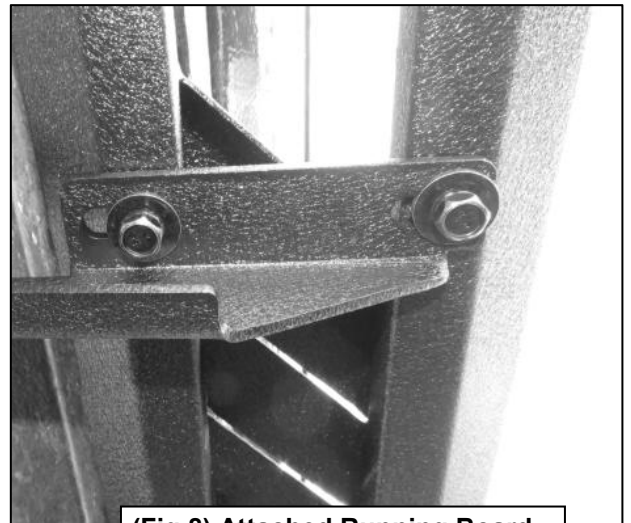
**(Fig 6) Attached Passenger/Right  
Rear Mounting Bracket**

**2**

Follow (Fig 7 – 8) to attach Passenger/Right Running Board to Mounting Brackets. Repeat the following steps on the Driver/Left side. Ensure hardware is hand tightened at this point.



**(Fig 7) Attach the Passenger/Right  
Running Board to the Mounting Brackets**



**(Fig 8) Attached Running Board**

**3**

Ensure Running Board is level, then tighten all hardware. Installation is complete. Do periodic inspections to the installation to make sure that all hardware is secure and tight.

