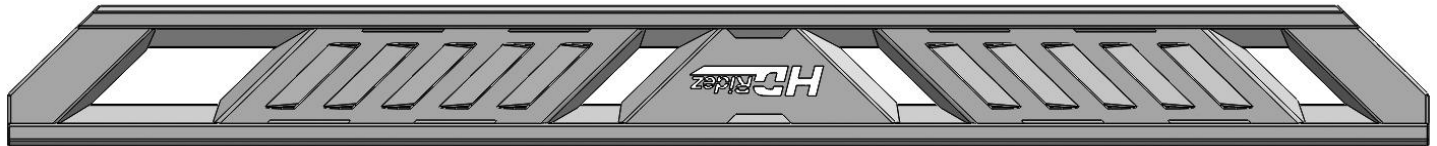


Installation Instructions

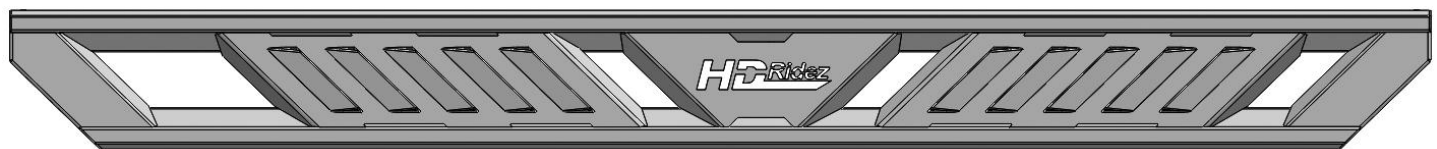
PARTS LIST:

| Qty | Item Description | Qty | Item Description |
|-----|---|-----|---------------------------------------|
| 1 | Driver/Left Running Board | 1 | Driver/Left Rear Mounting Bracket |
| 1 | Passenger/Right Running Board | 1 | Passenger/Right Rear Mounting Bracket |
| 1 | Driver/Left Front Mounting Bracket | 12 | 8-1.25mm Combo Bolt |
| 1 | Passenger/Right Front Mounting Bracket | 12 | 10-1.5mm x 30mm Hex Bolt |
| 1 | Driver/Left Center Mounting Bracket | 12 | 10mm Lock Washer |
| 1 | Passenger/Right Center Mounting Bracket | 12 | 10mm x 27mm OD x 3mm Flat Washer |

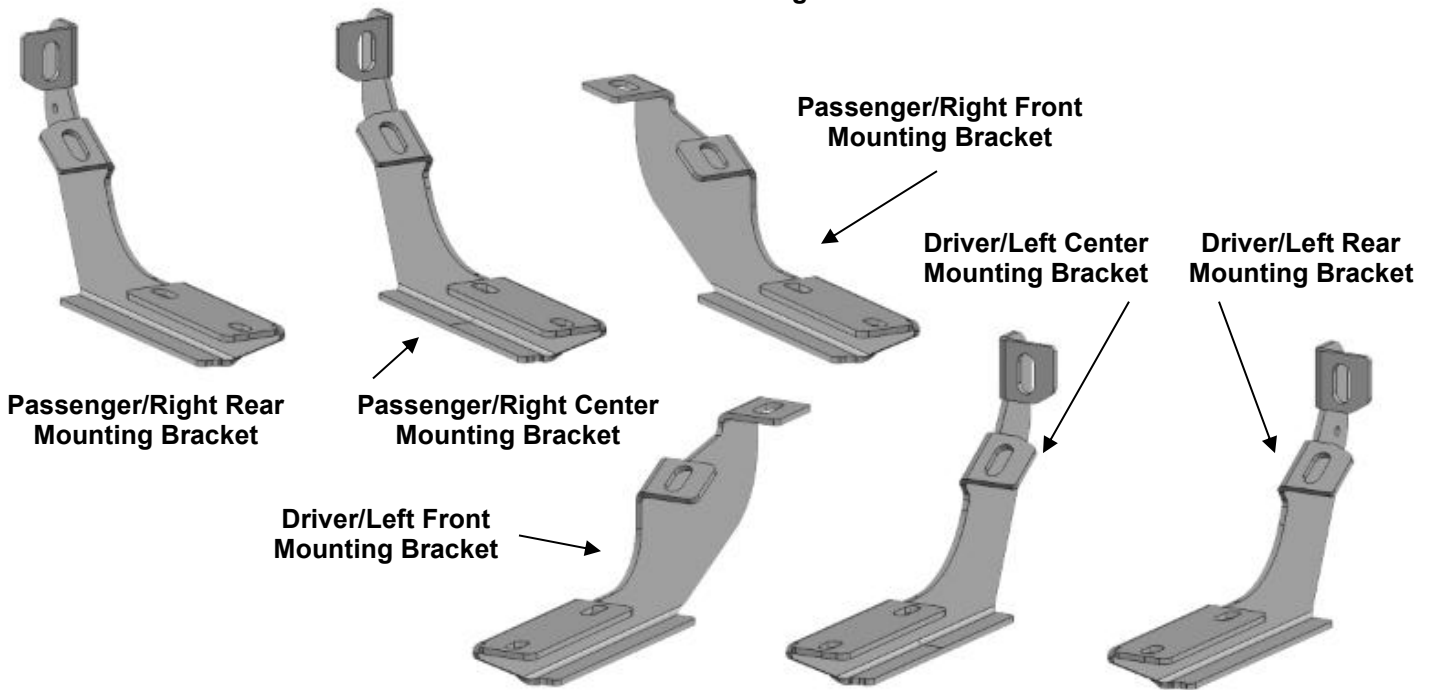


Front
←

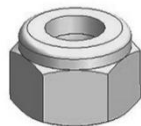
Passenger/Right Running Board



Driver/Left Running Board



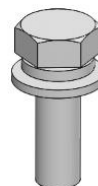
Lock Washer



Lock Nut



Flat Washer

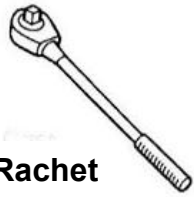


Combo Bolt

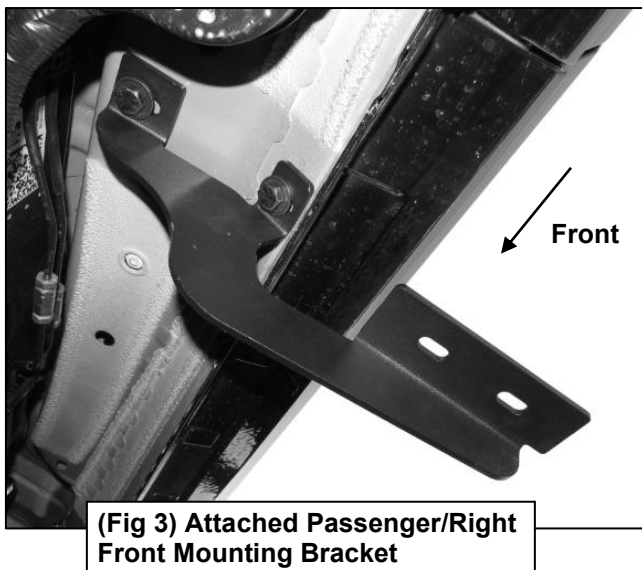
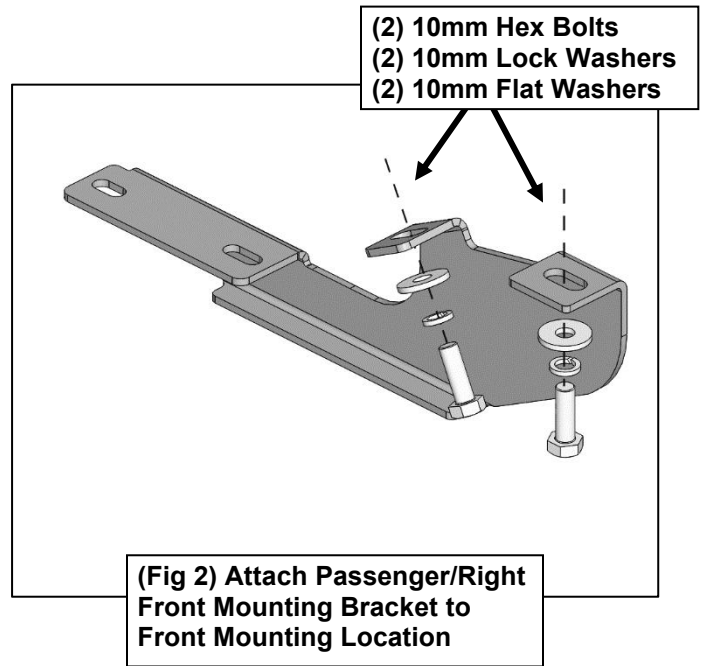
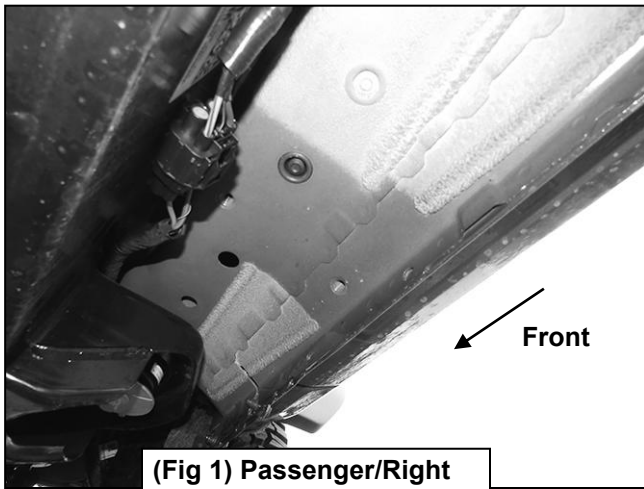


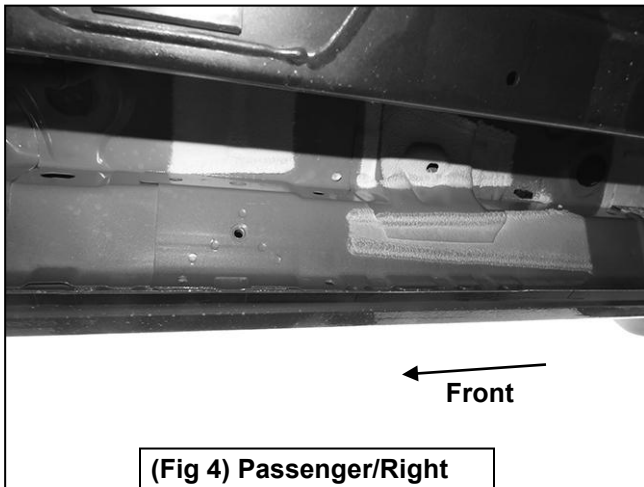
Hex Bolt

TOOLS REQUIRED

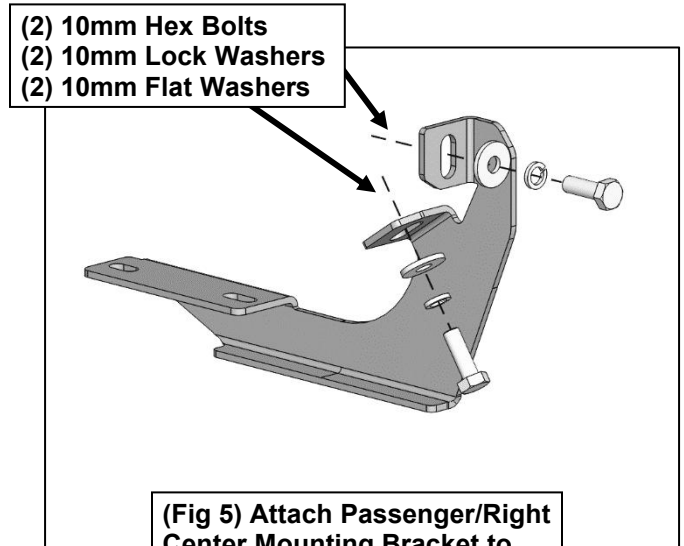


1 Follow (Fig 1 – 9) to attach Passenger/Right Mounting Brackets. Ensure hardware is hand tightened. Repeat the following steps on the Driver Side.

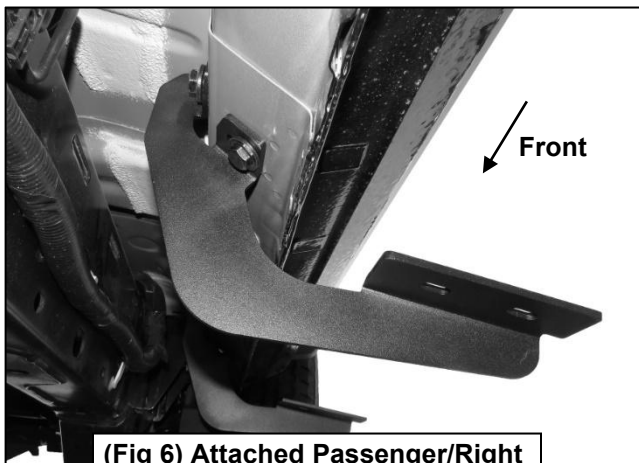




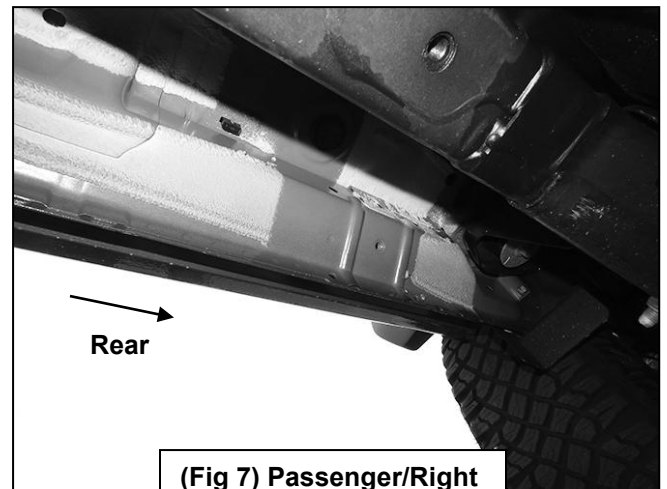
(Fig 4) Passenger/Right
Center Mounting Location



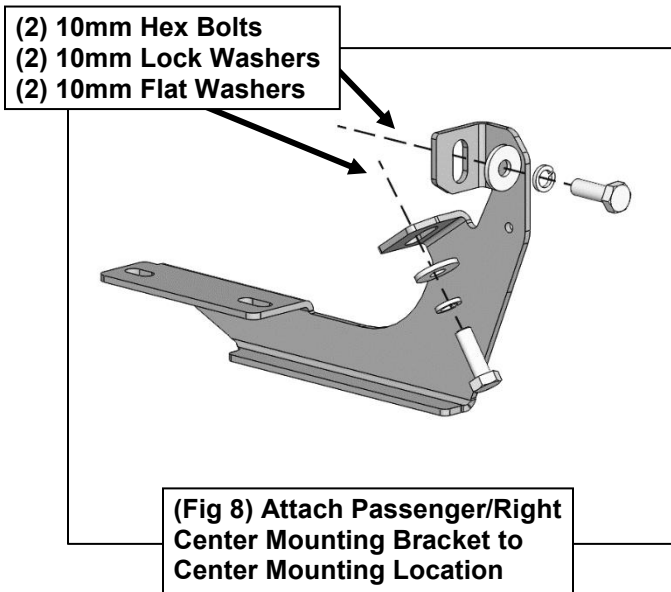
(Fig 5) Attach Passenger/Right
Center Mounting Bracket to
Center Mounting Location



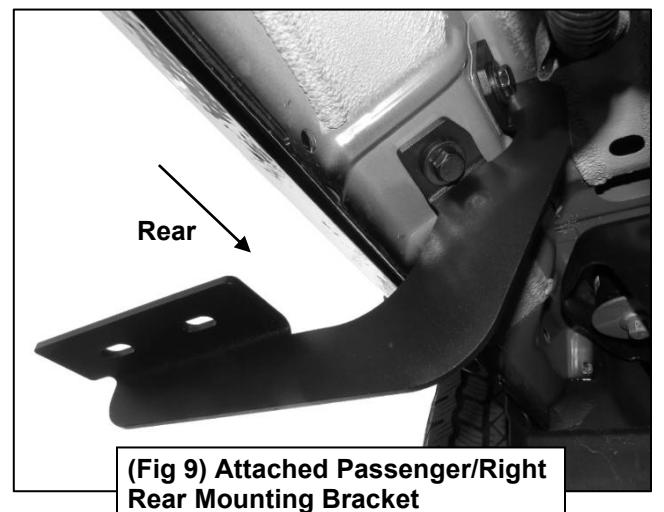
(Fig 6) Attached Passenger/Right
Center Mounting Bracket



(Fig 7) Passenger/Right
Rear Mounting Location

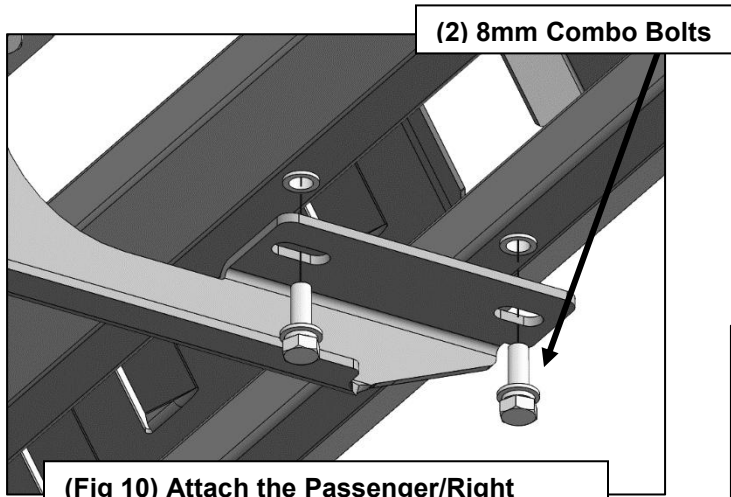


(Fig 8) Attach Passenger/Right
Center Mounting Bracket to
Center Mounting Location



(Fig 9) Attached Passenger/Right
Rear Mounting Bracket

- 2** Follow (Fig 10 – 11) to attach Passenger/Right Running Board to Mounting Brackets. Repeat the following steps on the Driver/Left side. Ensure hardware is hand tightened at this point.

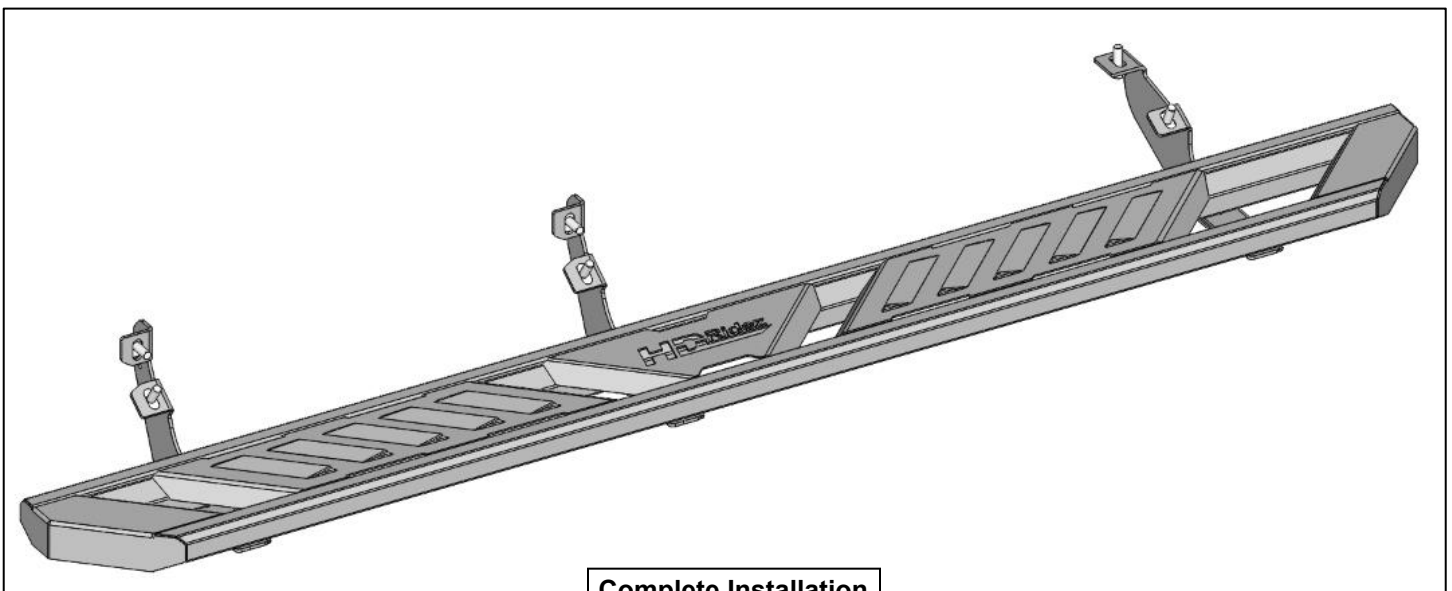


(Fig 10) Attach the Passenger/Right Running Board to the Mounting Brackets



(Fig 11) Attached Running Board

- 3** Ensure Running Board is level, then tighten all hardware. Installation is complete. Do periodic inspections to the installation to make sure that all hardware is secure and tight.



Complete Installation