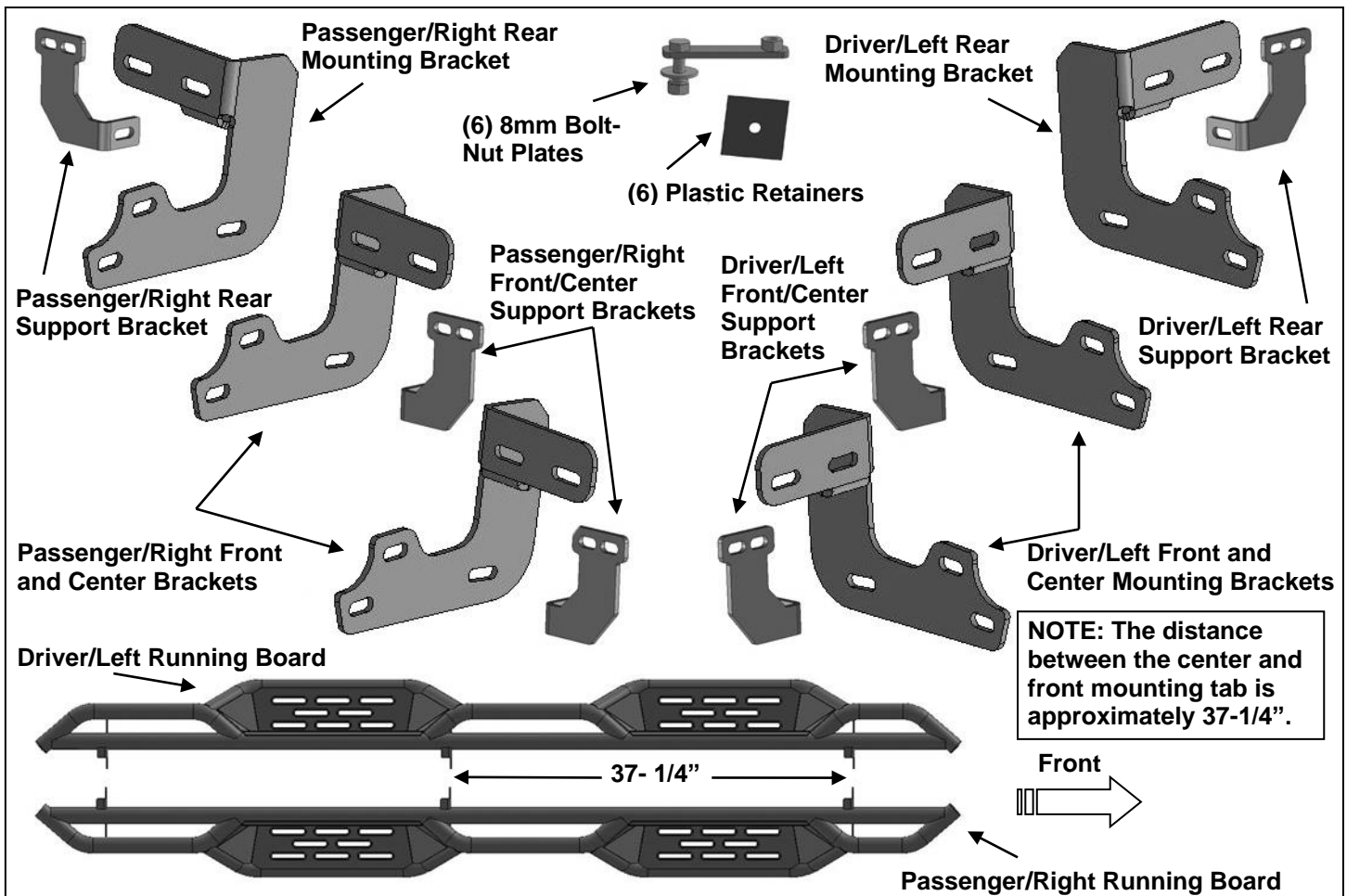


PARTS LIST:

1	Driver/left side Running Board	12	8mm Lock Washers
1	Passenger/right side Running Board	6	8mm Hex Nuts
3	Driver/left Front and Center Mounting Brackets and Passenger/Right Rear Mounting Bracket	6	8mm Nylon Lock Nuts
3	Passenger/right Front and Center Mounting Brackets and Driver/Left Mounting Bracket	12	6-1.0mm x 25mm Hex Bolts
3	Support Brackets (DS Front/Center & PS Rear)	24	6mm x 22mm x 2mm Flat Washers
3	Support Brackets (PS Front/Center & DS Rear)	12	6-1.0mm Nylon Lock Nuts
6	8mm Bolt-Nut Plates	12	10-1.5mm x 35mm Hex Bolts
6	8mm Plastic Retainers	24	10mm x 27mm x 3mm Flat Washers
18	8mm-1.25 x 30 Hex Bolts	12	10-1.5mm Nylon Lock Nuts
24	8mm x 24mm x 2mm Flat Washers		



PROCEDURE:

1. REMOVE CONTENTS FROM BOX. VERIFY ALL PARTS ARE PRESENT. READ INSTRUCTIONS CAREFULLY BEFORE STARTING INSTALLATION. DRILLING MAY BE REQUIRED.
2. Starting at the driver side-front of the vehicle, remove the sealing tape covering the factory holes in the side of the inner panel, (Figure 1).
3. Determine the correct procedure to attach the driver side front Bracket for your model/year:

Models without factory threaded inserts in body panel:

 - a. Partially thread (1) 8mm Hex Bolt into the threaded end of an 8mm Bolt-Nut Plate, (Figure 2). Thread the Hex Bolt in until it is flush with the welded nut, (Figure 3). Use the Hex Bolt as a handle and insert the Bolt- Nut Plate into the oval hole, (Figure 4). Feed the threaded bolt on the Plate through one of the hex shaped factory holes. Thread (1) 8mm Plastic Retainer onto the threaded

end and down tight against the body panel, **(Figure 5)**. **NOTE:** The Plastic Retainer is designed to keep the Bolt-Nut Plate from falling into the body panel and to aid in Bracket installation.

- b. Select the driver side front Mounting Bracket, **(Figure 6)**. Attach the Bracket to the threaded end of the Bolt-Nut Plate with (1) 8mm Flat Washer, (1) 8mm Lock Washer and (1) 8mm Hex Nut, **(Figure 7A)**. Do not tighten at this time.
- c. Remove the 8mm Hex Bolt from the nut on the Bolt-Nut Plate from **Step 3a**. Rotate the Bolt on the Bolt Plate until the threaded nut lines up with the remaining hole in the Mounting Bracket and body panel, **(Figure 7B)**. Attach the Bracket to the threaded nut on the Plate with (1) 8mm x 30mm Hex Bolt, (1) 8mm Lock Washer and (1) 8mm Flat Washer. Do not tighten hardware at this time.

Models with factory threaded inserts:

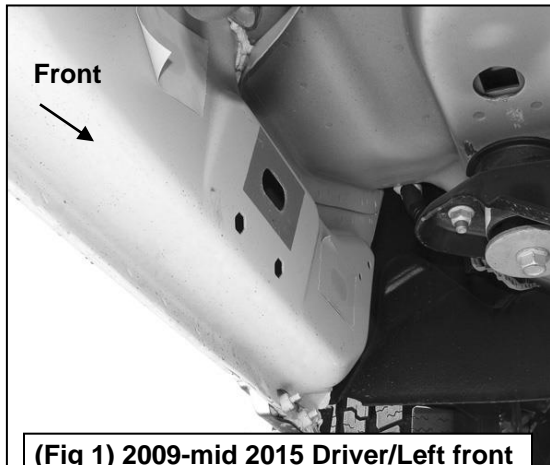
- a. Attach the driver side Front Bracket to the threaded inserts with (2) 8mm x 30mm Hex Bolts, (2) 8mm Lock Washers and (2) 8mm Flat Washer, **(Figures 8 & 9)**. Leave hardware loose.
4. Next, select the driver side front Support Bracket. Attach the Bracket to the front facing side of the front Bracket with (1) 8mm x 30mm Hex Bolt, (2) 8mm Flat Washers and (1) 8mm Nylon Lock Nut, **(Figure 10)**. Rotate the Support Bracket to the back of the pinch weld. Line up the slots in the top of the Support Bracket with the (2) factory holes in the pinch weld. Attach the Bracket to the back of the pinch weld with (2) 6mm x 25mm Hex Bolts, (4) 6mm Flat Washers and (2) 6mm Nylon Lock Nuts, **(Figures 11 & 12)**. Do not fully tighten hardware at this time. **IMPORTANT:** Some **2009-12** models are not equipped with factory holes and will require drilling through the pinch weld to attach the Support Bracket. Do not drill through pinch weld at this time, **(see Step 8)**.
5. Move along the side of the body panel to the center mounting location, **(Figure 13)**. Repeat the appropriate **Step 3** to install the driver side center Bracket. Select (1) driver side front/center Support Bracket. Repeat **Step 4** to attach the Support Bracket to the front of the center bracket and factory holes (if equipped) in the pinch weld.
6. Move to the rear location, **(Figure 14)**. Repeat **Step 3** to install the rear Mounting Bracket, **(Figure 15)**. Select the driver side rear Support Bracket. Repeat **Step 4** to attach the Support Bracket to the rear of the rear Bracket and factory holes (if equipped) in the pinch weld, **(Figure 16)**. **NOTE:** The rear bracket is different from the front/center Brackets, (see illustration above-note direction of mounting plate).
7. Once all (3) Brackets have been installed, select the driver/left side Running Board. **NOTE:** Use the illustration on **Page 1** to properly identify the driver side Running Board. With assistance, attach the driver side Running Board to the front facing side of the Brackets with (6) 10mm Hex Bolts, (12) 10mm Flat Washers and (6) 10mm Nylon Hex Nuts, **(Figures 17, & 18)**. Do not tighten hardware.
8. Properly level and adjust the Running Board and fully tighten all hardware.

2009-12 models requiring drilling for driver side Support Brackets:

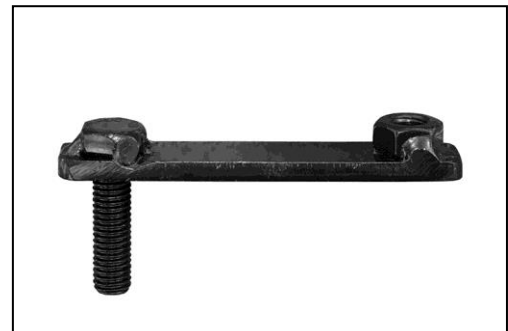
- a. Make sure the Running Board is level to the vehicle. Adjust and tighten all mounting hardware.
- b. Line up the slots on the Support Brackets with the back of the pinch weld. Mark the location of the slots onto the pinch weld.
- c. Drill (2) 1/4" holes through the pinch weld for each Support Bracket. **IMPORTANT:** Do not drill too close to the bottom edge of the pinch weld. Adjust the Brackets as necessary to move the slots up the body panel away from the edge. Drill the holes toward the outside of the marked slots.
- d. Attach each Support Bracket to the pinch weld with (2) 6mm Hex Bolts, (4) 6mm Flat Washers and (2) 6mm Nylon Lock Nuts, **(Figure 11)**. Check for level then fully tighten all hardware.
9. Move to the passenger side of the vehicle. Remove tape covering front, center and rear locations. Repeat **Steps 2—8** for passenger side Running Board installation. **NOTE:** Refer to the illustration on **Page 1** to identify the correct Mounting Bracket for each of the remaining locations.
10. Do periodic inspections to the installation to make sure that all hardware is secure and tight.

To protect your investment, wax this product after installing. Regular waxing is recommended to add a protective layer over the finish. Do not use any type of polish or wax that may contain abrasives that could damage the finish. Mild soap may be used to clean the Running Boards.

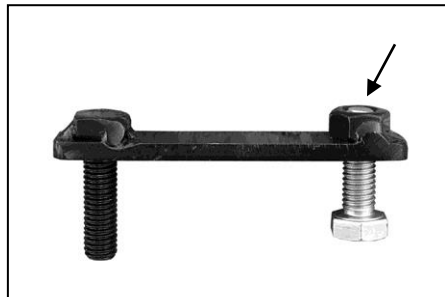
Driver Side Installation Pictured



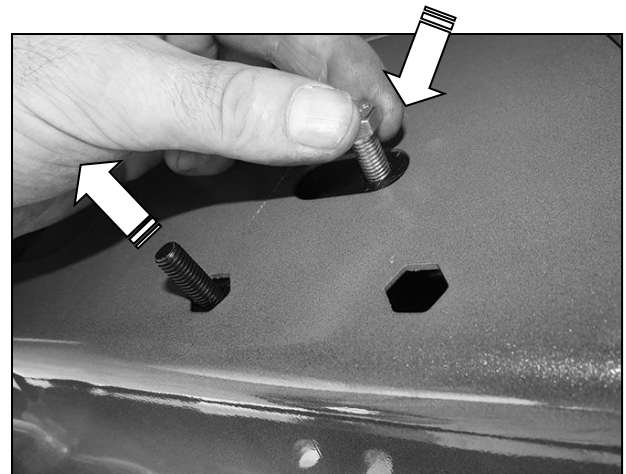
(Fig 1) 2009-mid 2015 Driver/Left front mounting location (No factory holes in pinch weld 2009-2012 models)



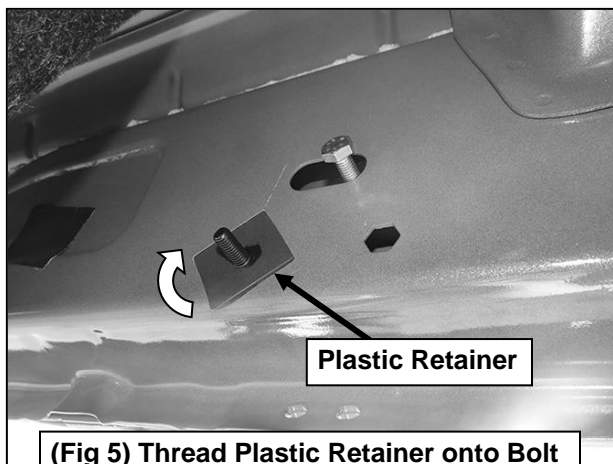
(Fig 2) 8mm Bolt-8mm Nut Plate, NOTE: 8mm Bolt-Nut Plate is not required on models with threaded inserts



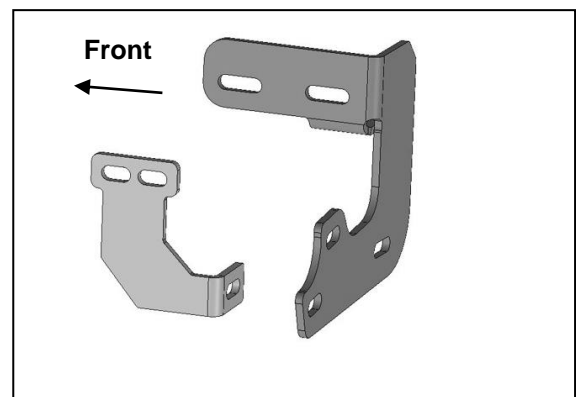
(Fig 3) Thread (1) 8mm Hex Bolt into the nut on the plate. Stop when bolt reaches end of nut as pictured



(Fig 4) Use the loose Hex Bolt as a handle. Insert the Bolt Plate into the oval hole and feed the threaded end out either factory hex shaped hole. IMPORTANT: Do not let go of the hex bolt until after Plastic Retainer has been threaded onto bolt (Fig 5)

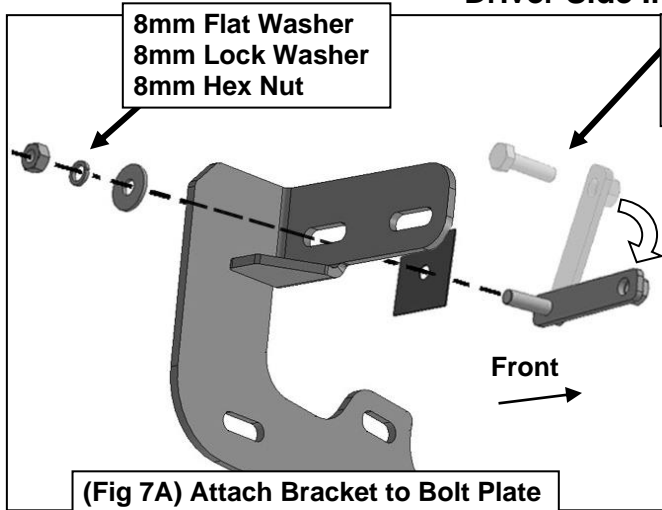


(Fig 5) Thread Plastic Retainer onto Bolt Plate to hold Bolt Plate in position.

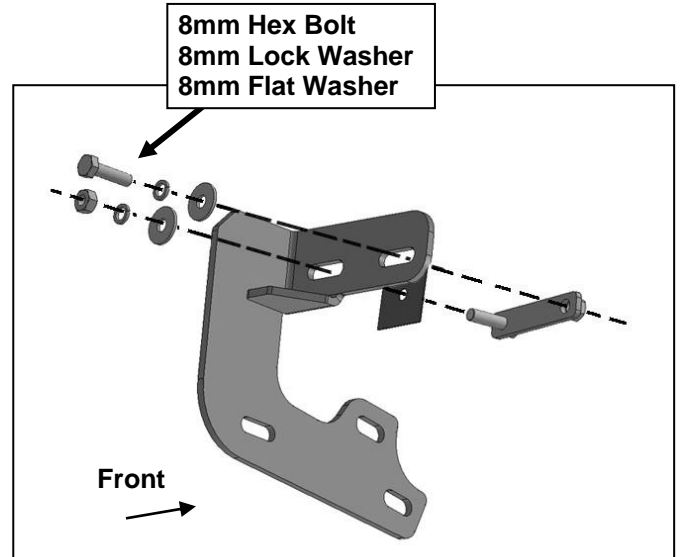


(Fig 6) Driver side front and center Brackets

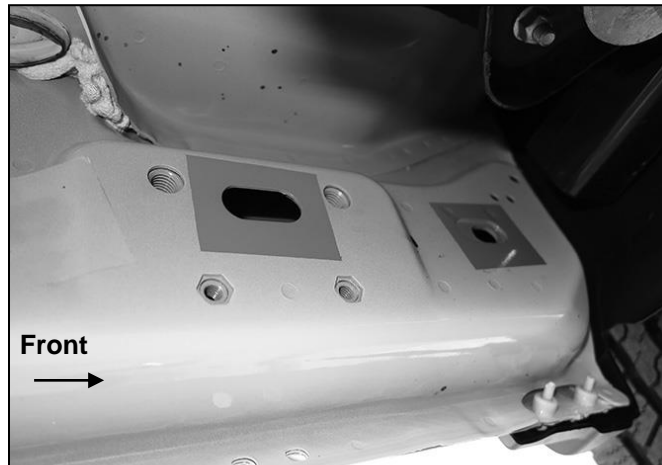
Driver Side Installation Pictured



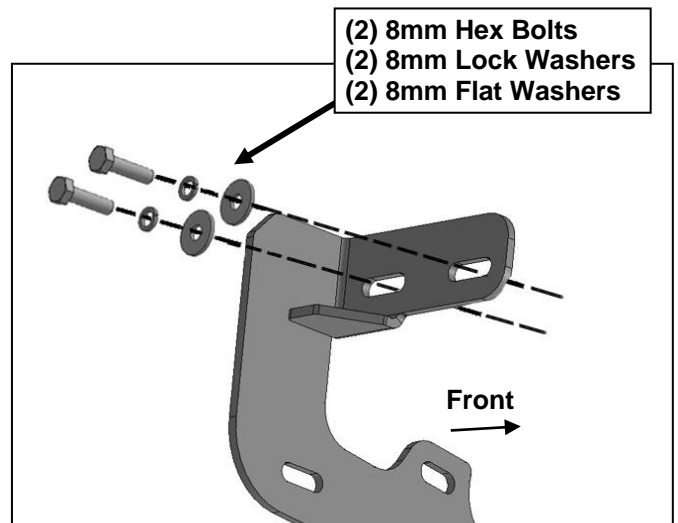
(Fig 7A) Attach Bracket to Bolt Plate



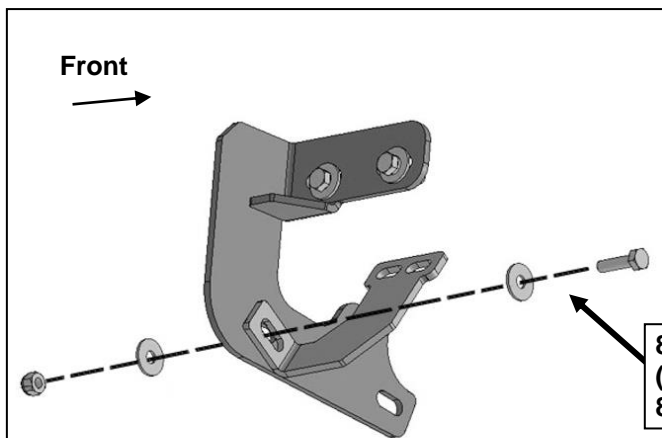
(Fig 7B) Attach Bracket to threaded end of Bolt Plate first. Remove 8mm Hex Bolt (see Fig 3). Rotate Bolt Plate to line up with remaining factory hex shaped hole.



(Fig 8) Driver side front mid 2015-on, an example of models with factory installed threaded inserts



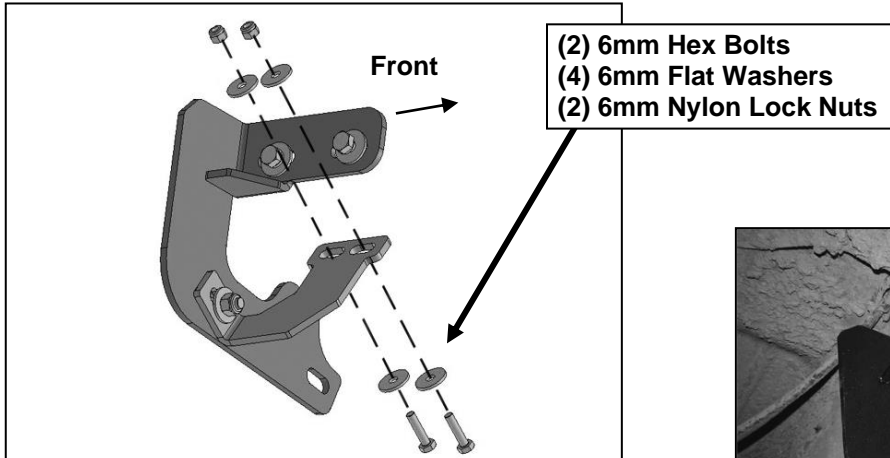
(Fig 9) Driver side front models with factory installed threaded inserts. Bolt Plate not required



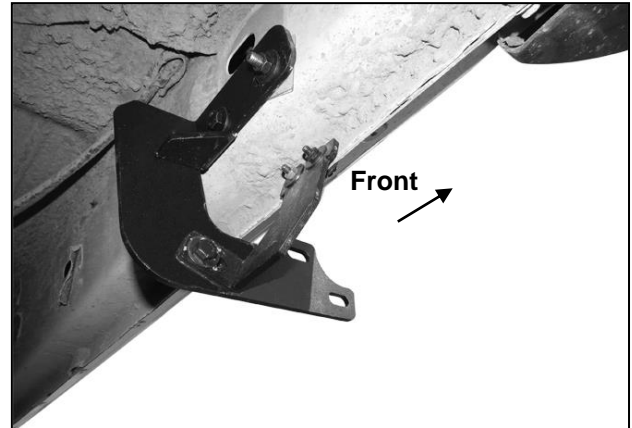
(Fig 10) Attach Driver/Left front Support Bracket to front facing side of Mounting Bracket

2009-2018 Dodge Ram 1500 Crew Cab (Incl. 19-20 Ram 1500 Classic)
2010-2020 Dodge Ram 2500/3500/4500/5500 Crew Cab (Excl. Chassis Cab Diesel Models)

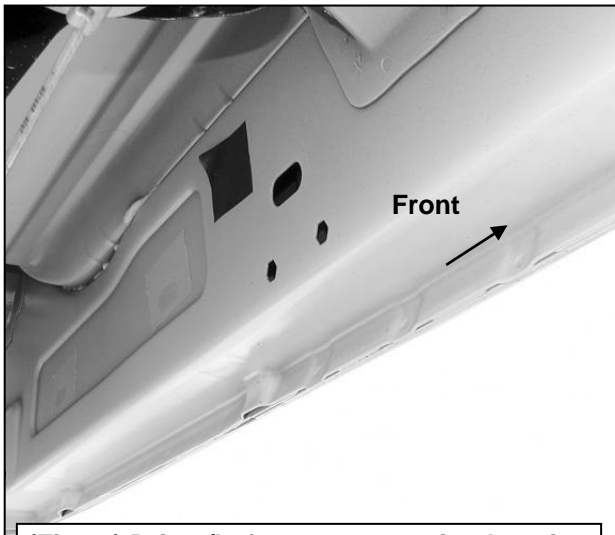
Driver Side Installation Pictured



(Fig 11) Attach Support Bracket to back of pinch weld (models with factory holes in pinch weld only)

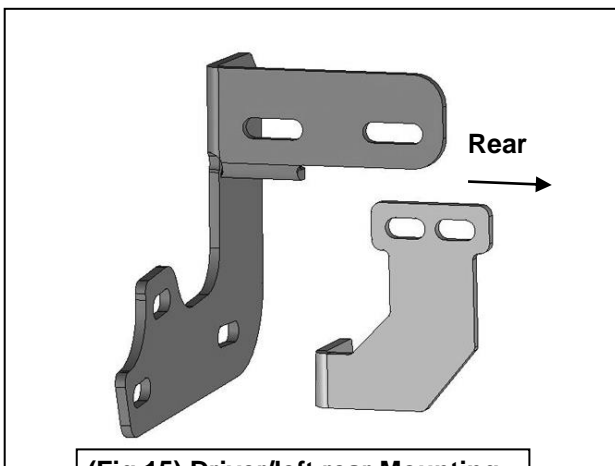


(Fig 12) Driver/left side front Brackets installed

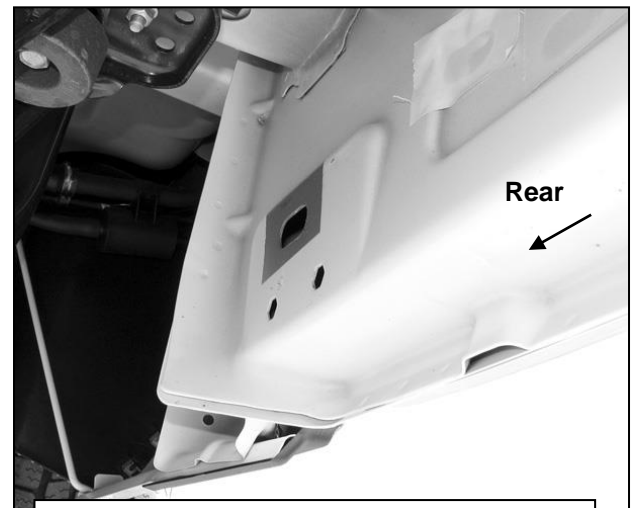


(Fig 13) Driver/Left center mounting location

IMPORTANT: 2009-2012 models without holes in pinch weld will require drilling 1/4" holes through pinch weld to attach Support Brackets. Do complete installation of Running Boards first and level Running Boards before drilling holes for Support Brackets.



(Fig 15) Driver/left rear Mounting and Support Brackets



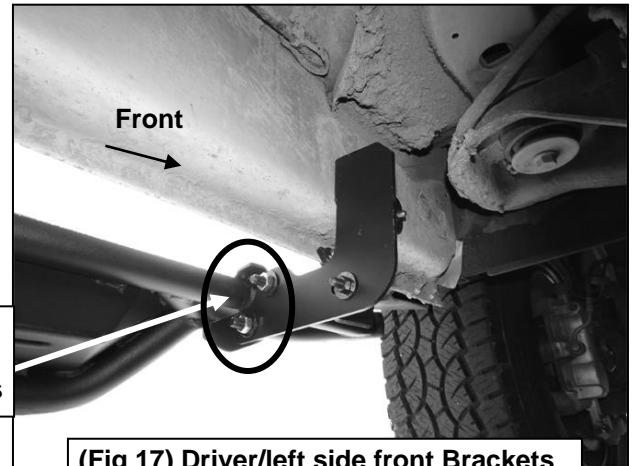
(Fig 14) Driver/Left rear mounting location

Driver Side Installation Pictured

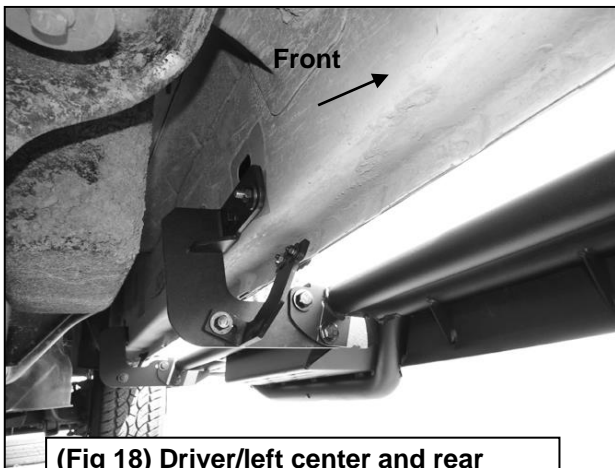


(Fig 16) Driver/left rear Brackets installed

- (2) 10mm Hex Bolts
- (4) 10mm Flat Washers
- (2) 10mm Nylon Lock Nuts



(Fig 17) Driver/left side front Brackets attached to Running Board



(Fig 18) Driver/left center and rear Brackets attached to Running Board



Complete Installation