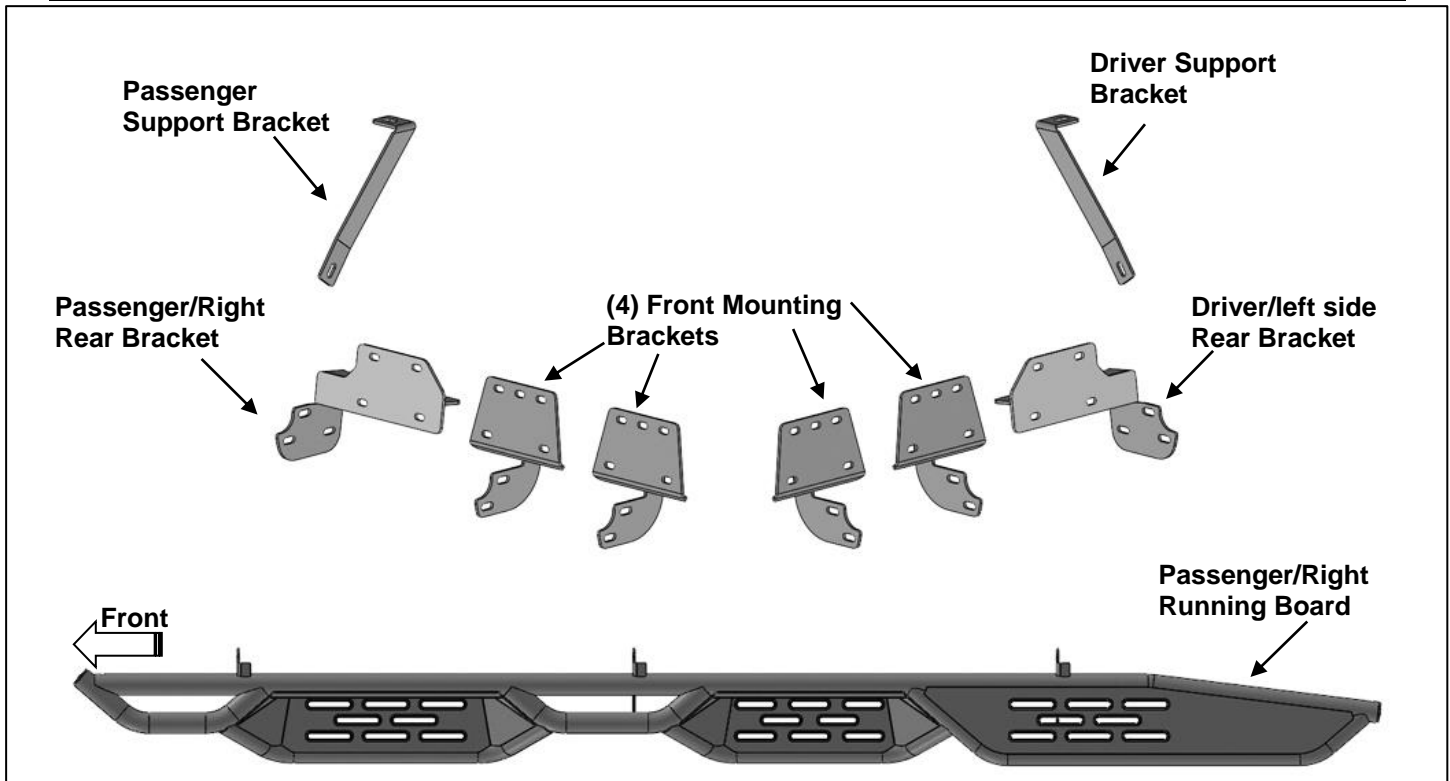


**NB1 WHEEL TO WHEEL RUNNING BOARDS
2019-24 DODGE RAM 1500 QUAD CAB 6.5FT BED
EXCL. 19-24 RAM 1500 CLASSIC**

PARTS LIST:

1	Driver/Left Running Board	12	10mm x 35mm Hex Bolts
1	Passenger/Right Running Board	24	10mm x 27mm OD x 3mm Flat Washers
4	Front Mounting Brackets	12	10mm Nylon Lock Nuts
1	Driver/Left Rear Bracket	2	8-1.25mm x 30mm Hex Bolts
1	Passenger/Right Rear Bracket	22	8mm x 24mm x 2mm Flat Washers
1	Driver/Left Rear Support Bracket	20	8mm Nylon Lock Nuts
1	Passenger/Right Rear Support Bracket		



PROCEDURE:

REMOVE CONTENTS FROM BOX. VERIFY ALL PARTS ARE PRESENT. READ INSTRUCTIONS CAREFULLY BEFORE STARTING INSTALLATION. ASSISTANCE IS RECOMMENDED.

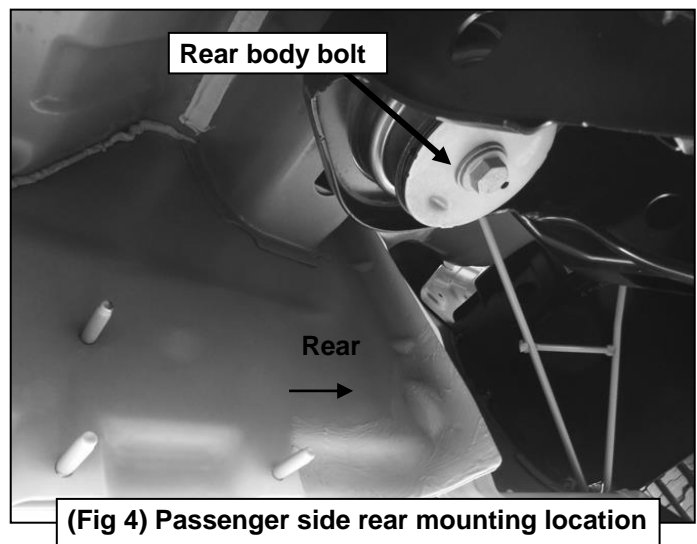
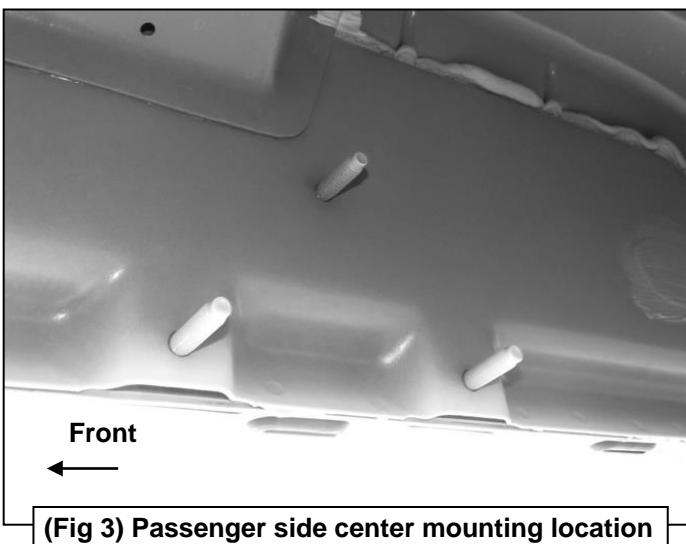
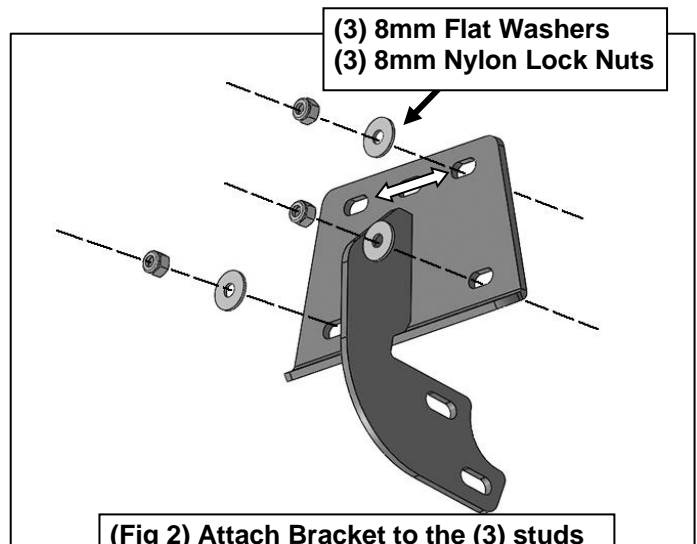
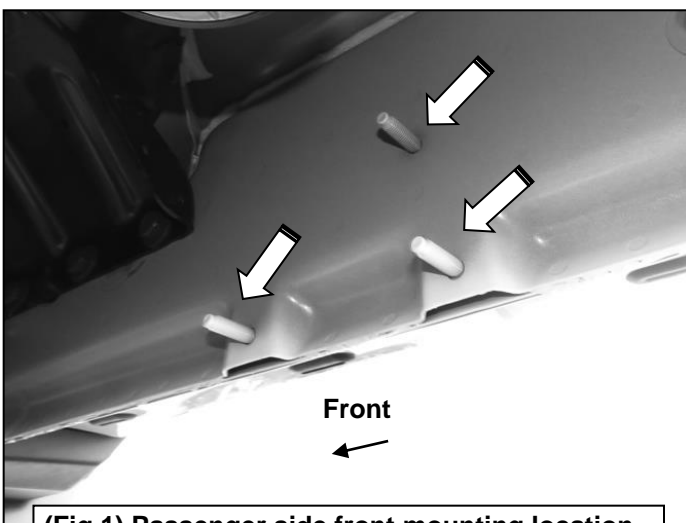
1. Start the installation under the Passenger/Right side of the vehicle. Locate the front (3) factory studs along the inner side of the body panel, **(Figure 1)**. **NOTE:** Use a wire brush or die to remove paint buildup on the threaded studs.
2. Select (1) Front Mounting Bracket. **NOTE:** There are (4) Front Brackets that will fit left or right side. Attach the Mounting Bracket to the (3) factory studs with (3) 8mm Flat Washers and (3) 8mm Nylon Lock Nuts, **(Figure 2)**. Do not tighten hardware.
3. Move to the center mounting location, **(Figure 3)**. Repeat **Steps 1 & 2** to attach (1) Front Bracket to the center mounting location.
4. Move to the rear mounting location, **(Figure 4)**. Repeat **Steps 1 & 2** to attach the Passenger/Right Rear Mounting Bracket to the rear location, **(Figure 5)**.
5. Next, select the Passenger/Right Support Bracket. Use the illustration above and **Figure 6** to help determine the correct Support Bracket for each side.
6. Temporarily, remove the rear body bolt from the body mount, **(Figure 4)**. Reuse the factory body bolt to attach the top end of the Support Bracket to the body mount, **(Figure 7)**.
7. Next, attach the bottom end of the Support Bracket to the front face of the Rear Mounting Bracket with (1) 8mm Hex Bolt, (2) 8mm Flat Washers and (1) 8mm Nylon Lock Nut, **(Figure 8)**. Do not tighten hardware.

**NB1 WHEEL TO WHEEL RUNNING BOARDS
2019-24 DODGE RAM 1500 QUAD CAB 6.5FT BED
EXCL. 19-24 RAM 1500 CLASSIC**

8. Carefully unwrap the Passenger/Right Running Board. With assistance, line up the slots in the mounting tabs on the Running Board to the slots in the rear faces of the Mounting Brackets. Attach the Running Board to the Brackets with (6) 10mm Hex Bolts, (12) 10mm Flat Washers and (6) 10mm Nylon Lock Nuts, **(Figure 9)**. Do not tighten hardware.
9. Level and adjust the Running Board, then tighten all hardware.
10. Repeat **Steps 1—9** to attach the Driver/Left Running Board.
11. Do periodic inspections to the installation to make sure that all hardware is secure and tight.

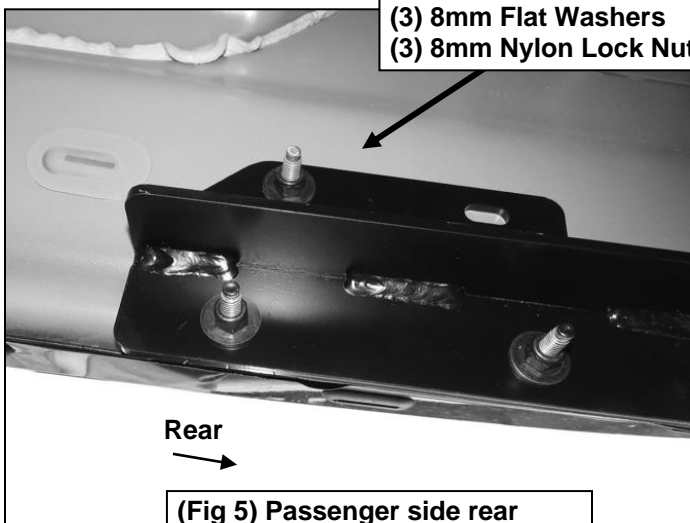
To protect your investment, Do not use any type of polish or wax that may contain abrasives that could damage the finish. Mild soap may be used also to clean the Running Boards.

Passenger/Right Side Installation Pictured



**NB1 WHEEL TO WHEEL RUNNING BOARDS
2019-24 DODGE RAM 1500 QUAD CAB 6.5FT BED
EXCL. 19-24 RAM 1500 CLASSIC**

Passenger/Right Side Installation Pictured

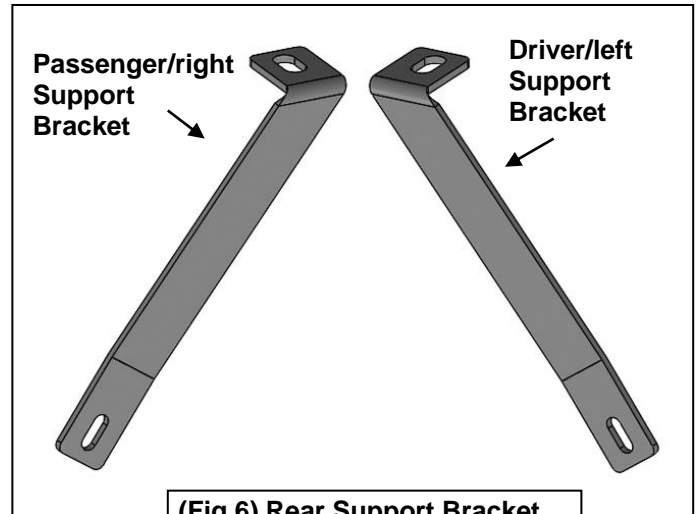


**(3) 8mm Flat Washers
(3) 8mm Nylon Lock Nuts**

Rear
→

**(Fig 5) Passenger side rear
Bracket attached to side panel**

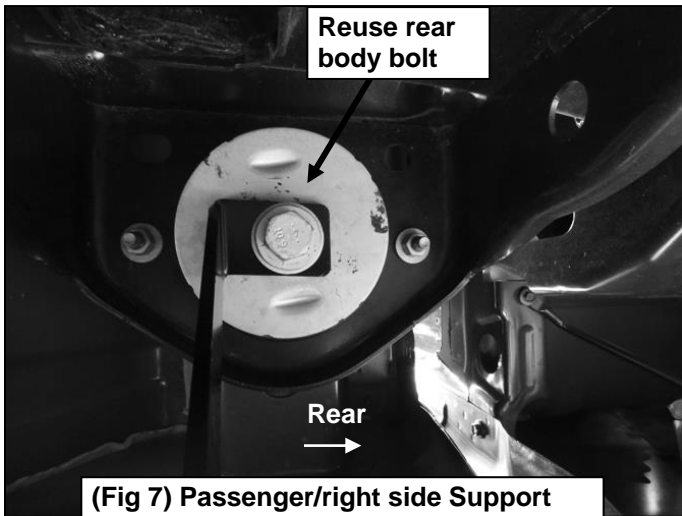
**NOTE: Each Rear Bracket is unique.
When installed properly, the flanges on
the Bracket will face towards the rear.**



**Passenger/right
Support
Bracket**

**Driver/left
Support
Bracket**

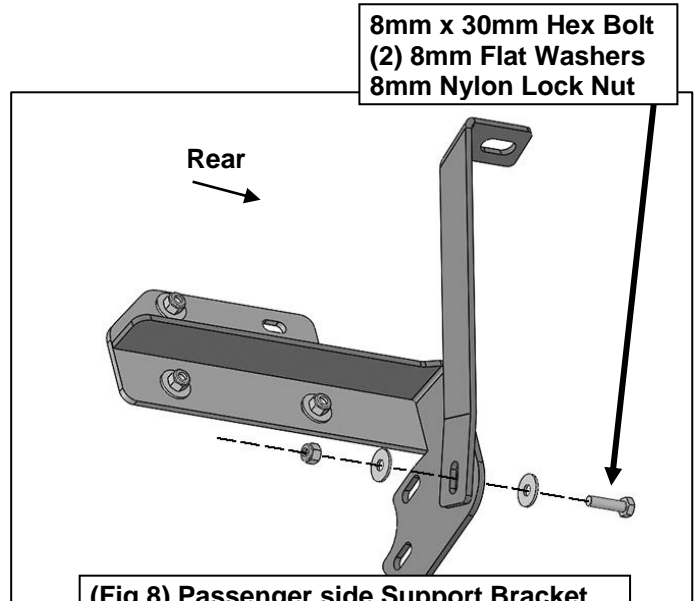
(Fig 6) Rear Support Bracket



**Reuse rear
body bolt**

Rear
→

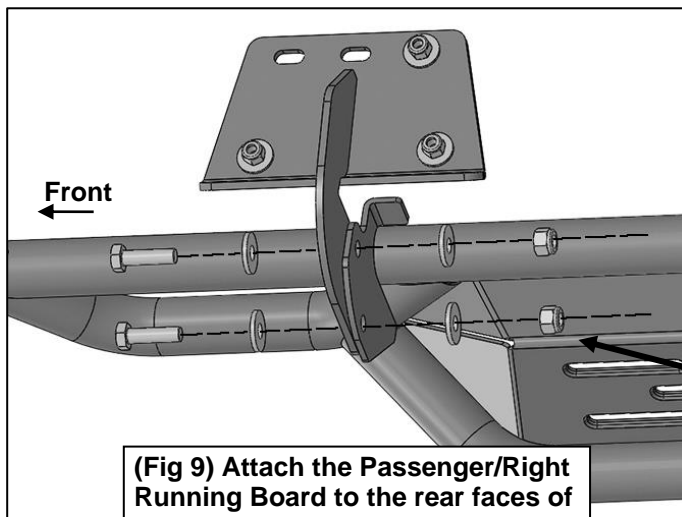
**(Fig 7) Passenger/right side Support
Bracket attached to the body mount**



**8mm x 30mm Hex Bolt
(2) 8mm Flat Washers
8mm Nylon Lock Nut**

Rear
→

**(Fig 8) Passenger side Support Bracket
attached to the front of the Rear Bracket**



Front
←

**(Fig 9) Attach the Passenger/Right
Running Board to the rear faces of
the (3) Mounting Brackets**

**(2) 10mm Hex Bolts
(4) 10mm Flat Washers
(2) 10mm Nylon Lock Nuts**