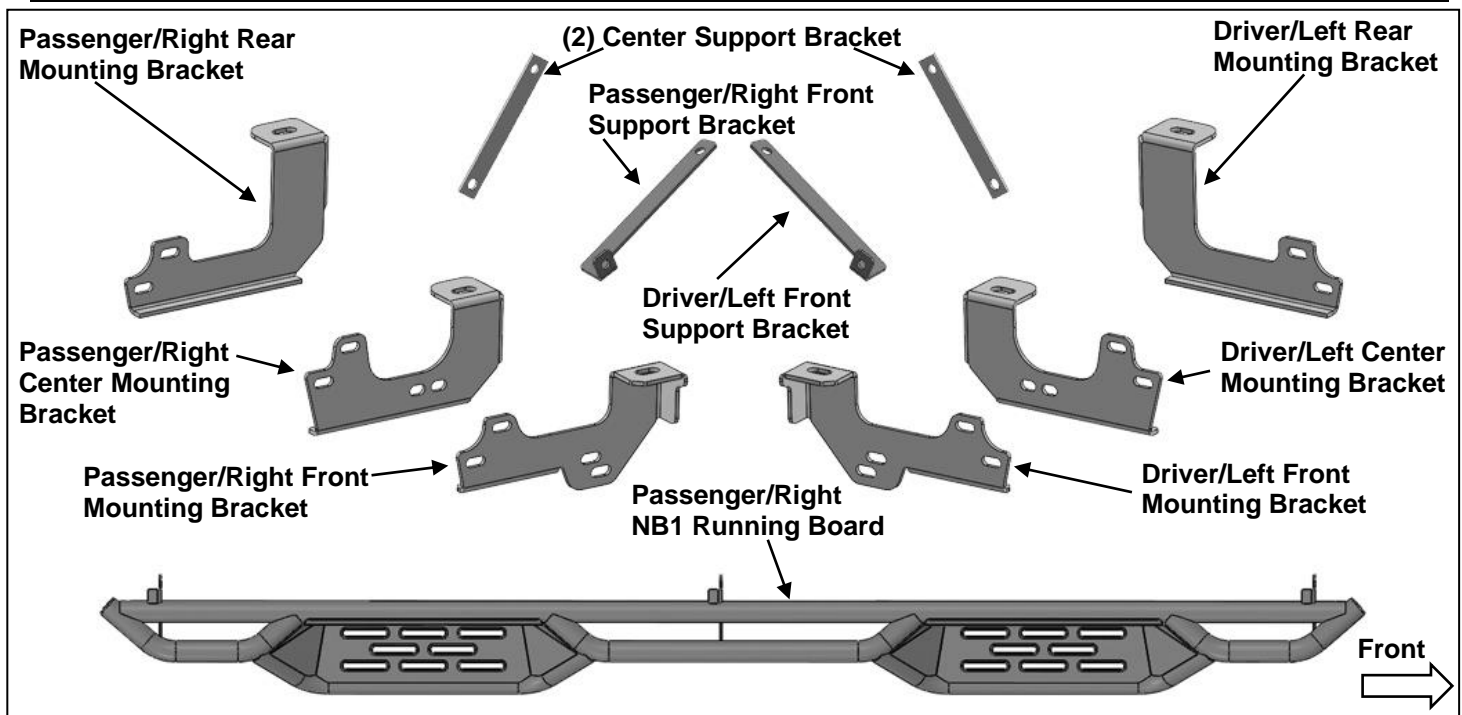


**PARTS LIST:**

1	Driver/Left NB1 Running Board	2	12-1.75mm x 30mm Hex Bolts
1	Passenger/Right NB1 Running Board	4	12mm x 32mm OD x 3mm Flat Washers
1	Driver/Left Front Mounting Bracket	2	12mm Lock Washers
1	Passenger/Right Front Mounting Bracket	2	12mm Hex Nuts
1	Driver/Left Center Mounting Bracket	12	10-1.5mm x 35mm Hex Bolts
1	Passenger/Right Center Mounting Bracket	6	10-1.5mm x 30mm Hex Bolts
1	Driver/Left Rear Mounting Bracket	24	10mm x 27mm OD x 3mm Flat Washers
1	Passenger/Right Rear Mounting Bracket	10	10mm x 20mm OD x 2mm Flat Washers
1	Driver/Left Front Support Bracket	6	10mm Lock Washers
1	Passenger/Right Front Support Bracket	4	10mm Hex Nuts
2	Center Support Brackets	12	10-1.5mm Nylon Lock Nuts
2	Connecting Brackets		



**PROCEDURE: REMOVE CONTENTS FROM BOX. VERIFY ALL PARTS ARE PRESENT. READ INSTRUCTIONS CAREFULLY BEFORE STARTING INSTALLATION.**

1. Start the installation under the Passenger/Right side of the vehicle. Locate the front body mount, **(Figure 1)**. Temporarily remove the factory body bolt. Select the Passenger/Right Front Mounting Bracket. Reuse the factory body bolt to attach the Bracket to the body mount, **(Figures 2 & 3)**. Do not tighten hardware.
2. Select (1) Connector Bracket. Insert the Bracket into the large hole in the frame and line up the nut to the small hole in the frame. Select the Passenger/Right Front Support Bracket. Attach the Support Bracket to the Connector Bracket with (1) 10mm x 30mm Hex Bolt, (1) 10mm Lock Washer and (1) 10mm x 20mm Flat Washer, **(Figures 4 & 5)**. Do not tighten hardware.
3. Attach the Passenger/Right Front Support Bracket to the Mounting Bracket with (1) 10mm x 30mm Hex Bolt, (2) 10mm x 20mm Flat Washers, (1) 10mm Lock Washer and (1) 10mm Hex Nut, **(Figures 6 & 7)**. Do not tighten hardware.
4. Repeat **Step 1** to attach the Passenger/Right Center Mounting Bracket, **(Figures 8—10)**.

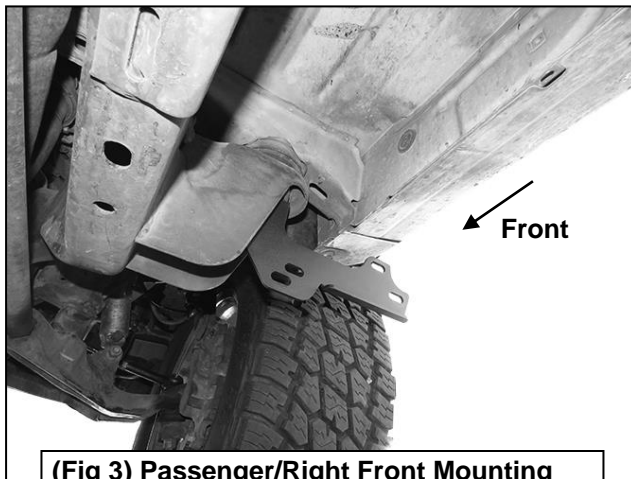
5. Select (1) Center Support Bracket. Attach the Support Bracket to the body mount with (1) 12mm Hex Bolt, (2) 12mm Flat Washers, (1) 12mm Lock Washer and (1) 12mm Hex Nut, **(Figure 11)**. Do not tighten hardware.
6. Repeat **Step 1** to attach the Passenger/Right Rear Mounting Bracket, **(Figures 13—15)**.
7. Attach the Center Support Bracket to the Center Mounting Bracket with (1) 10mm x 30mm Hex Bolt, (2) 10mm x 20mm Flat Washers, (1) 10mm Lock Washer and (1) 10mm Hex Nut, **(Figure 11)**. Do not tighten hardware.
8. Select the Passenger/Right NB1 Running Board. Attach the Running Board to the front faces of the Mounting Brackets with (6) 10mm x 35mm Hex Bolts, (12) 10mm x 27mm Flat Washers and (6) 10mm Nylon Lock Nuts, **(Figures 16—19)**. Do not tighten hardware.
9. Level and adjust the Running Board and fully tighten all hardware.
10. Do periodic inspections to the installation to make sure that all hardware is secure and tight.

**To protect your investment,** Do not use any type of polish or wax that may contain abrasives that could damage the finish. Mild soap may be used also to clean the Running Boards.

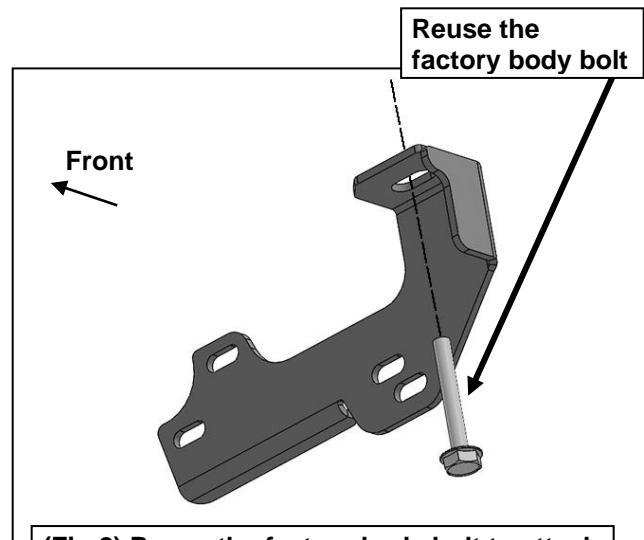
### Passenger/Right Side Installation Pictured



**(Fig 1) Passenger/Right front mounting location. Temporarily remove the body bolt**

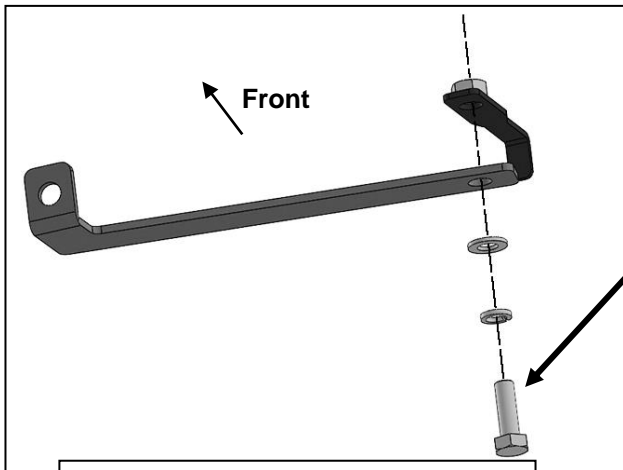


**(Fig 3) Passenger/Right Front Mounting Bracket attached to the front body mount**



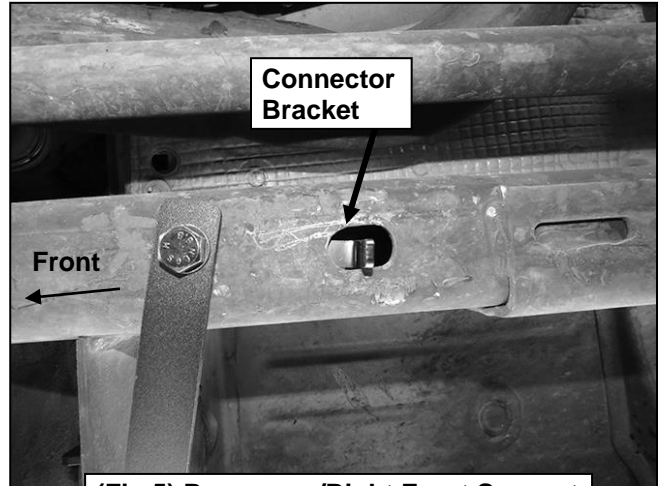
**(Fig 2) Reuse the factory body bolt to attach the Passenger/Right Front Mounting Bracket to the front body mount**

### Passenger/Right Side Installation Pictured

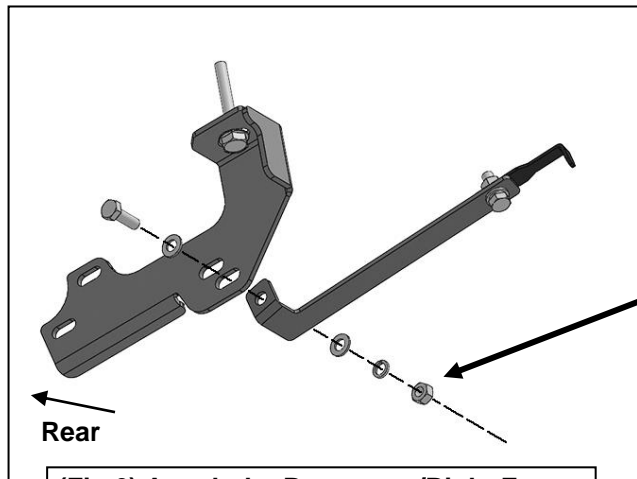


(Fig 4) Attach the Passenger/Right Front Support Bracket to the frame

10mm x 30mm Hex Bolt  
10mm Lock Washer  
10mm x 20mm Flat Washer  
Connector Bracket



(Fig 5) Passenger/Right Front Support Bracket attached to the frame



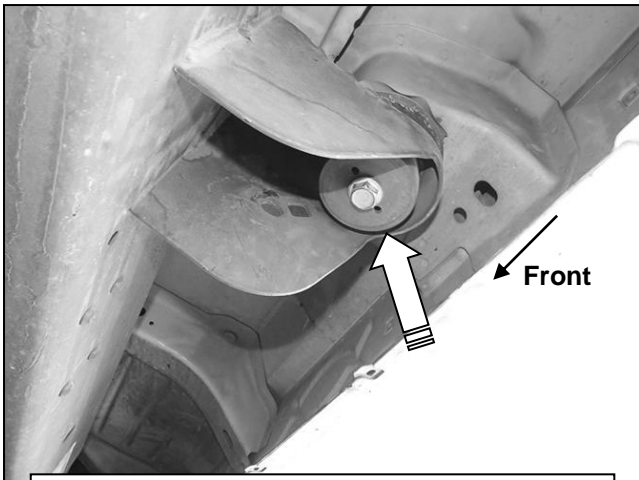
(Fig 6) Attach the Passenger/Right Front Support Bracket to the Mounting Bracket

10mm x 30mm Hex Bolt  
(2) 10mm x 20mm Flat Washers  
10mm Lock Washer  
10mm Hex Nut



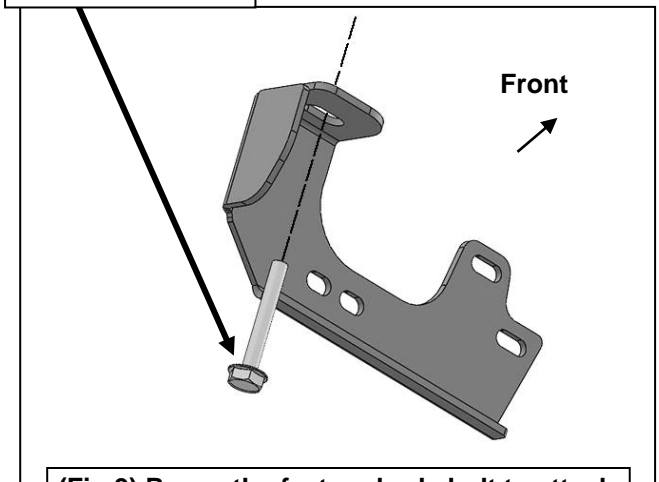
(Fig 7) Passenger/Right Front Support Bracket attached to the frame and Mounting Bracket

### Passenger/Right Side Installation Pictured

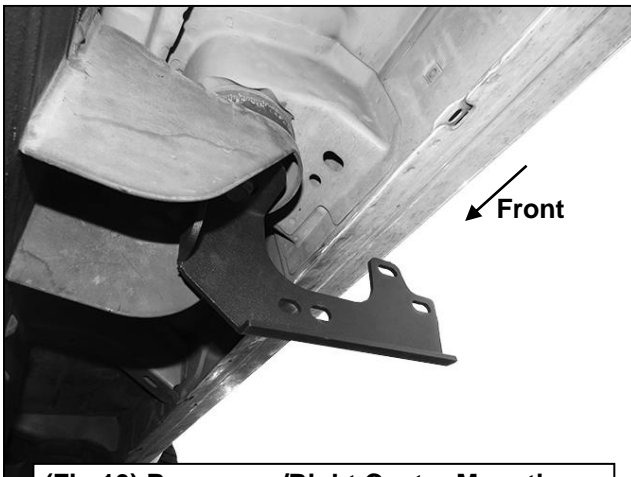


(Fig 8) Passenger/Right center mounting location. Temporarily remove the body bolt

Reuse the factory body bolt

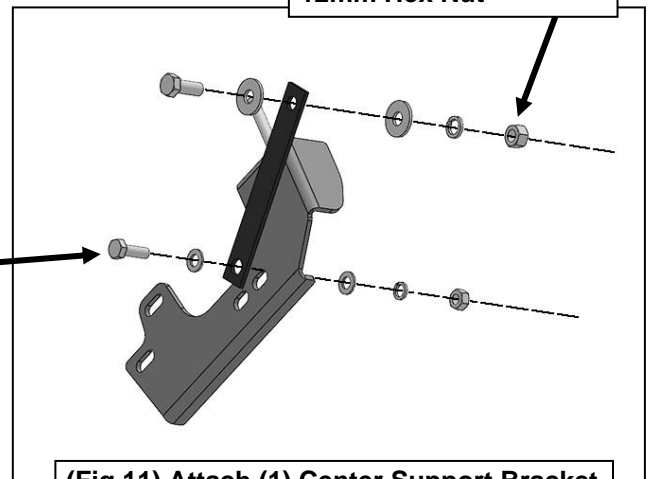


(Fig 9) Reuse the factory body bolt to attach the Passenger/Right Center Mounting Bracket to the front body mount



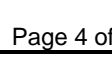
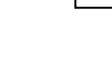
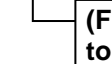
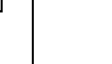
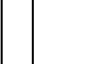
(Fig 10) Passenger/Right Center Mounting Bracket attached to the center body mount

12mm x 30mm Hex Bolt  
(2) 12mm Flat Washers  
12mm Lock Washer  
12mm Hex Nut



(Fig 11) Attach (1) Center Support Bracket to the body mount and Mounting Bracket

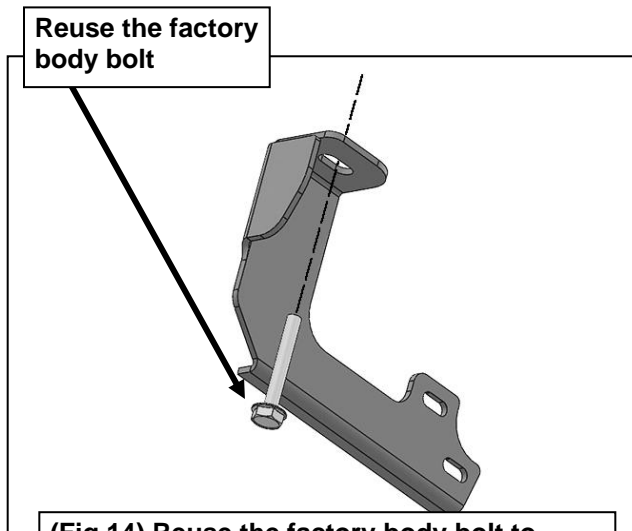
10mm x 30mm Hex Bolt  
(2) 10mm x 20mm Flat Washers  
10mm Lock Washer  
10mm Hex Nut



### Passenger/Right side Installation Pictured

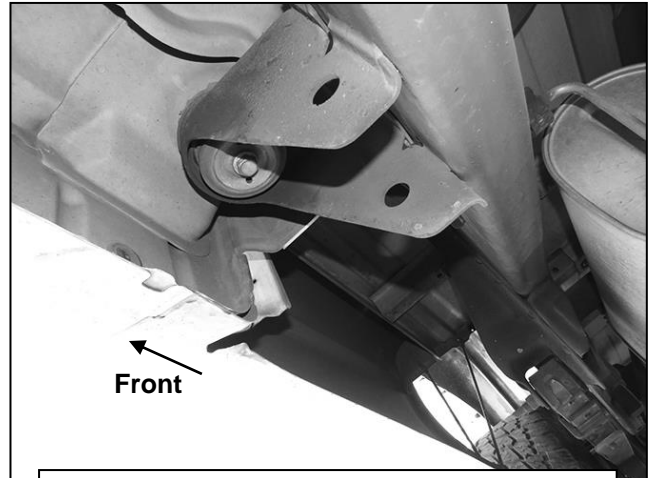


**(Fig 12) (1) Center Support Bracket attached to the body mount and Mounting Bracket**

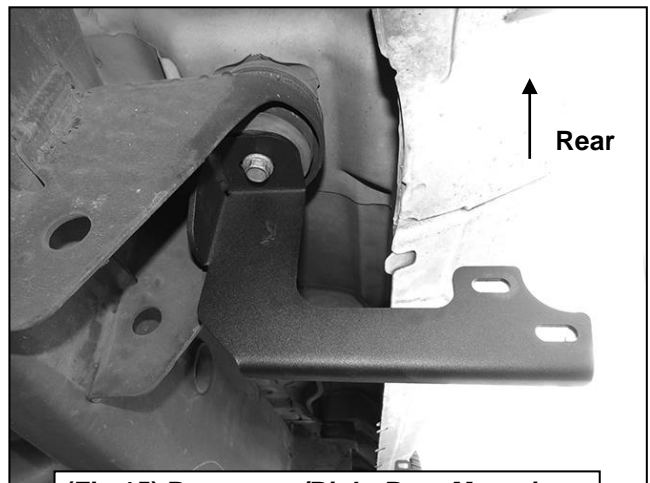


**(Fig 14) Reuse the factory body bolt to attach the Passenger/Right Center Mounting Bracket to the front body mount**

Front  
←



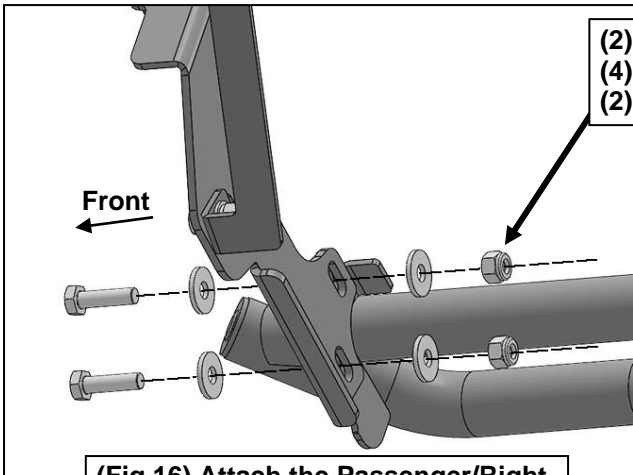
**(Fig 13) Passenger/Right rear mounting location. Temporarily remove the body bolt**



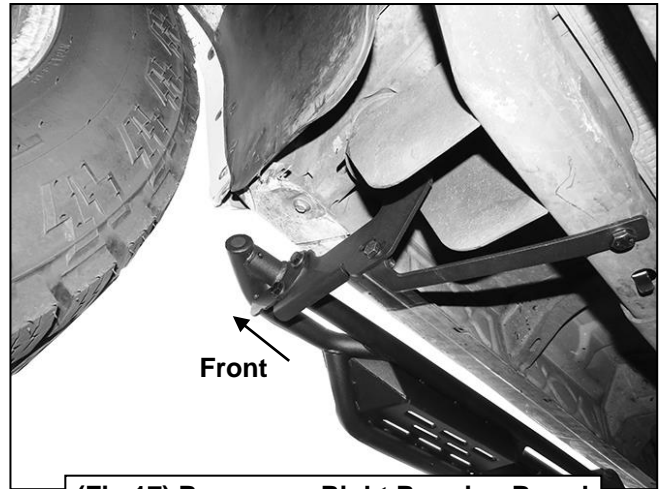
**(Fig 15) Passenger/Right Rear Mounting Bracket attached to the rear body mount**

### Passenger/Right side Installation Pictured

- (2) 10mm x 35mm Hex Bolts
- (4) 10mm x 27mm Flat Washers
- (2) 10mm Nylon Lock Nuts



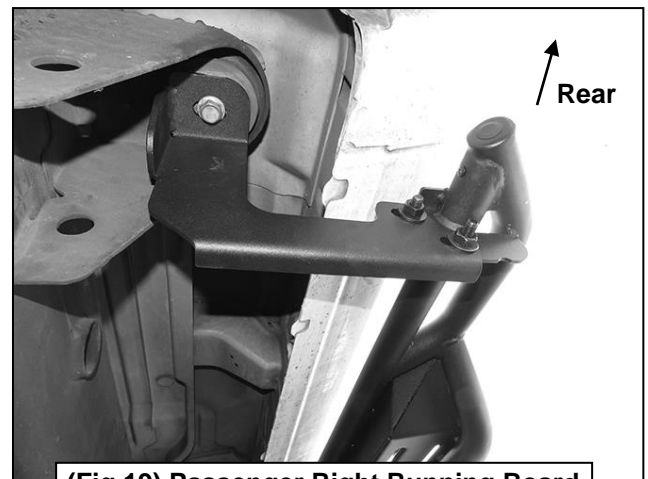
(Fig 16) Attach the Passenger/Right NB1 Running Board to the front faces of the Mounting Brackets



(Fig 17) Passenger Right Running Board attached to the Front Mounting Bracket



(Fig 18) Passenger Right Running Board attached to the Center Mounting Bracket



(Fig 19) Passenger Right Running Board attached to the Rear Mounting Bracket