

INSTALLATION INSTRUCTIONS

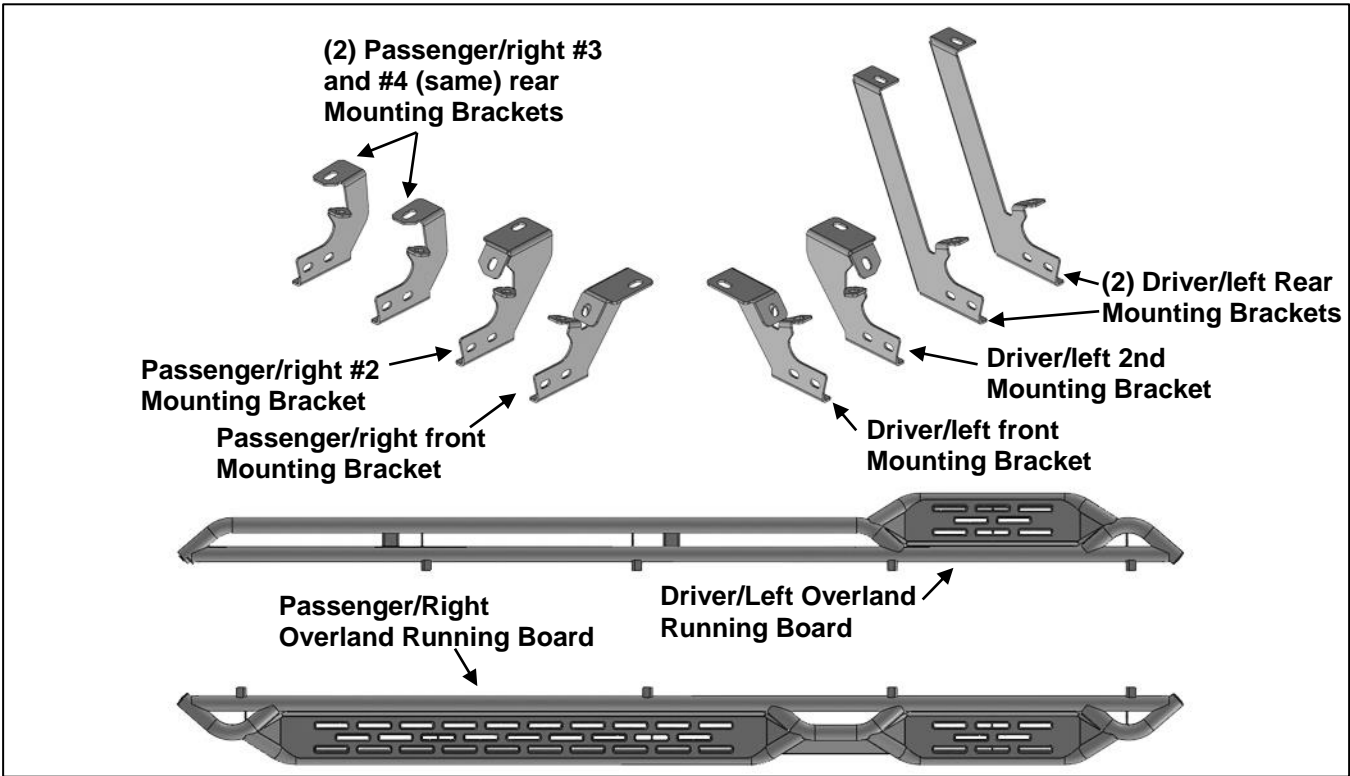
**NB1 OVERLAND RUNNING BOARDS
03-23 1500-3500 CHEVY EXPRESS FULL-SIZE VAN
(Excl. Express 3500/4500 Cutaway Van)
PART#WB-CN400MD**

NB1 OVERLAND RUNNING BOARDS

03-23 1500-3500 CHEVY EXPRESS FULL-SIZE VAN (Excl. Express 3500/4500 Cutaway Van)

PARTS LIST:

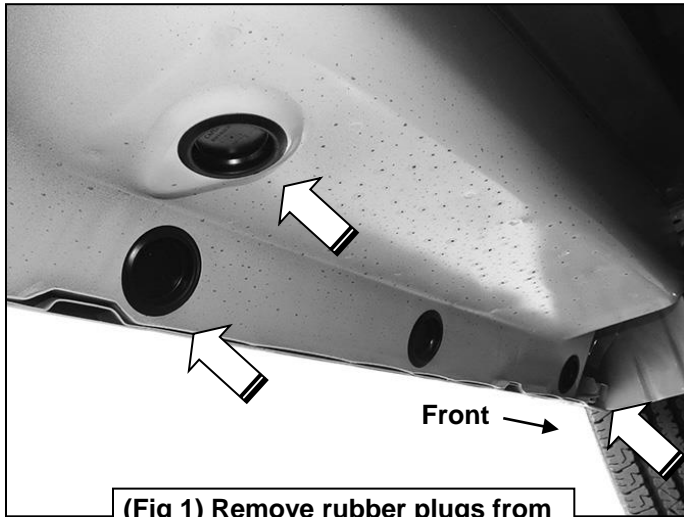
1	Driver/Left Overland Running Board	8	12mm Plastic Retainers
1	Passenger/Right Overland Running Board	2	10mm x 35mm Short Bolt Plates
1	Driver/Left Front Mounting Bracket	16	10mm x 35mm Hex Bolts
1	Passenger/Right Front Mounting Bracket	34	10mm x 27mm OD x 3mm Flat Washers
1	Driver/Left 2nd Mounting Bracket	18	10mm Nylon Lock Nuts
1	Passenger/Right 2nd Mounting Bracket	2	10mm Plastic Retainers
2	Driver/Left Rear Mounting Brackets	2	10mm Fish Wire
2	Passenger/Right Rear Mounting Brackets	8	8mm x 30mm Hex Bolts
8	12mmx 40mm Long Bolt Plates	16	8mm x 24mm OD x 2mm Flat Washers
8	12mm x 32mm OD x 3mm Flat Washers	8	8mm Nylon Lock Nuts
8	12mm Nylon Lock Nuts		



PROCEDURE:

REMOVE CONTENTS FROM BOX. VERIFY ALL PARTS ARE PRESENT. READ INSTRUCTIONS CAREFULLY BEFORE STARTING INSTALLATION. DRILLING IS REQUIRED.

NB1 OVERLAND RUNNING BOARDS
03-23 1500-3500 CHEVY EXPRESS FULL-SIZE VAN (Excl. Express 3500/4500 Cutaway Van)
Driver/Left Side Installation Pictured

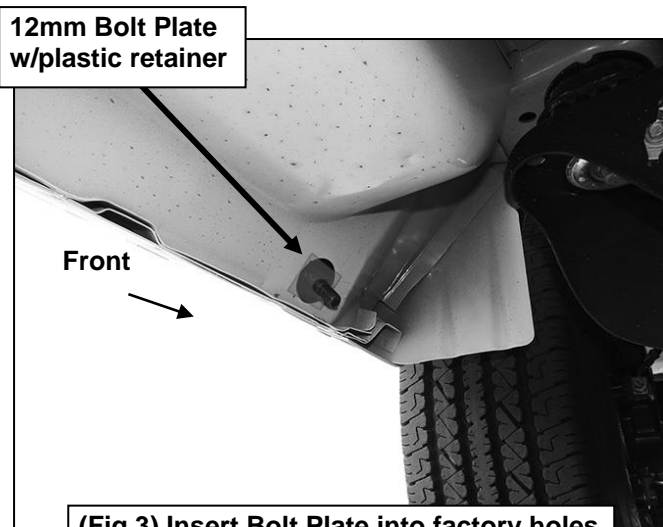


(Fig 1) Remove rubber plugs from (3) driver side mounting locations

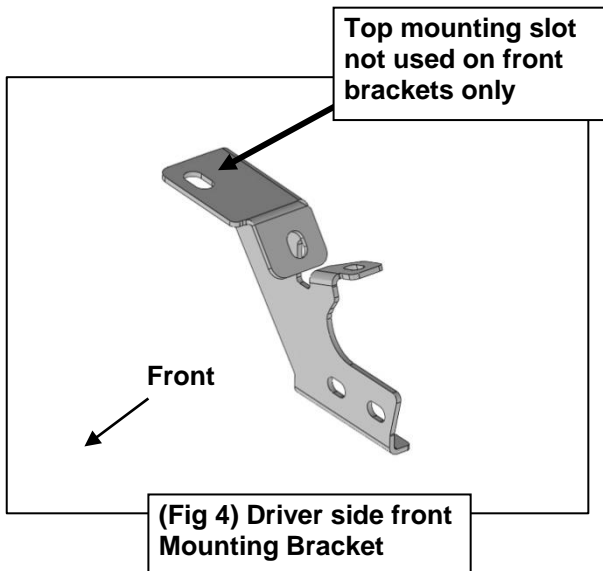
Start the installation under the driver side of the vehicle. Locate and remove the rubber plug closest to the front tire opening, (Figure 1). Select (1) 12mm Bolt Plate and (1) Plastic Retainer Washer, (Figure 2). Partially thread the Plastic Washer onto the Bolt Plate. Insert the Bolt Plate into the opening and thread the Plastic Washer down tight, (Figures 3 & 21). **NOTE:** The Plastic Washer is designed to help hold the Bolt Plate in place during Bracket installation but is not required for installation.



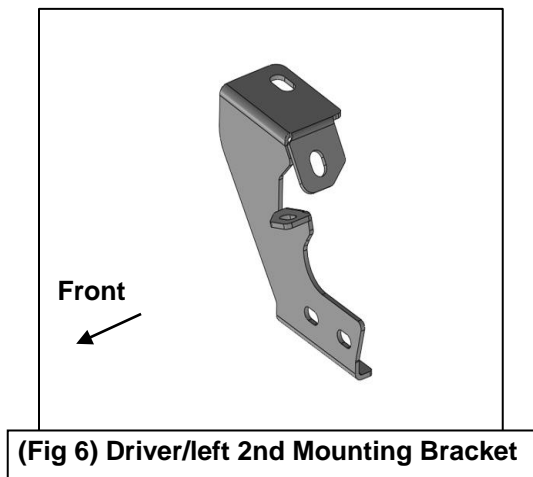
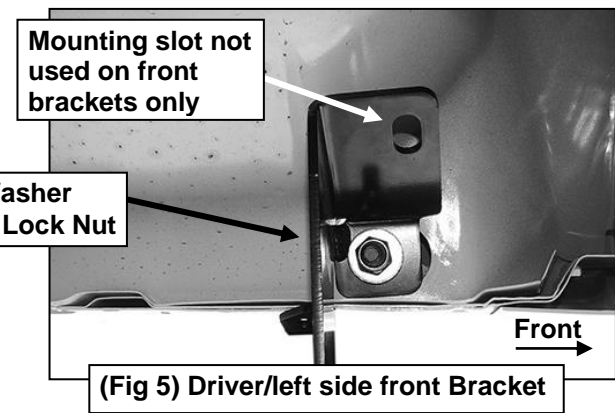
(Fig 2) 12mm Bolt Plate w/plastic retainer



(Fig 3) Insert Bolt Plate into factory holes

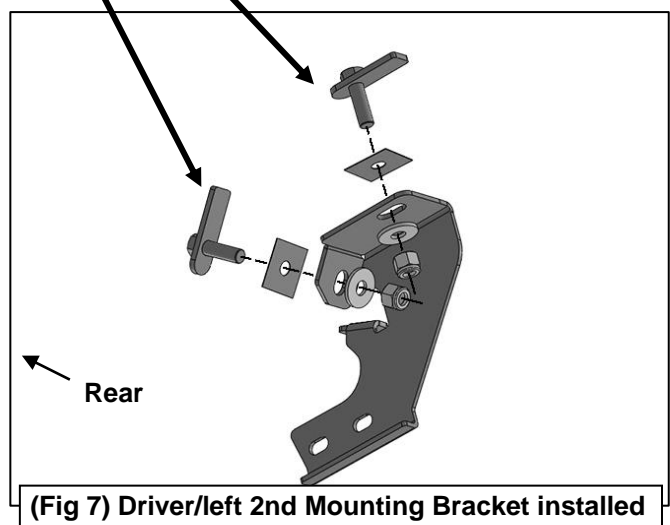


Select the driver side front Mounting Bracket, **(Figure 4)**. Attach the Bracket to the Bolt Plate with (1) 12mm Flat Washer and (1) 12mm Nylon Lock Nut, **(Figure 5)**. Hold the Bracket up tight against the bottom of the body and snug but do not fully tighten the hardware at this time.

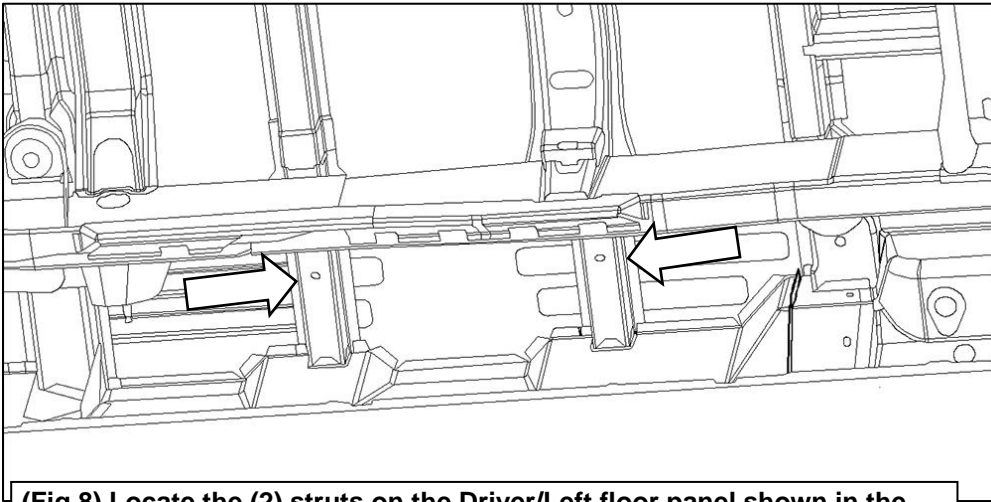


- (2) 12mm Bolt Plates
- (2) 12mm Plastic Retainers
- (2) 12mm Flat Washers
- (2) 12mm Nylon Lock Nuts

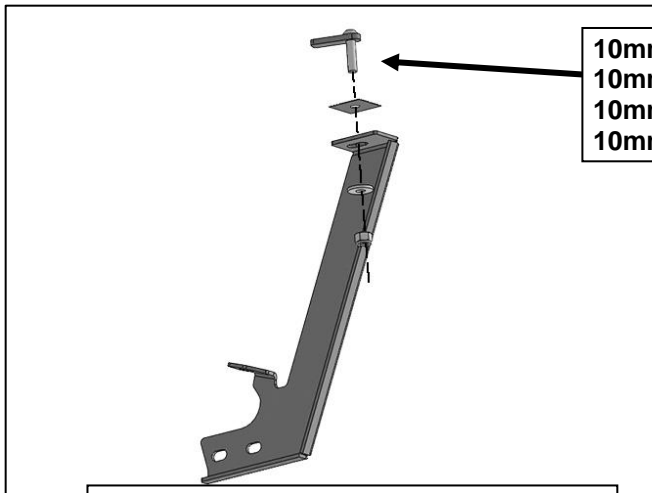
Move along the bottom of the body to the 2nd bracket location, **(Figure 1)**. Locate and remove the (2) rubber plugs. Insert (1) 12mm Bolt Plate into each opening. Repeat **Previous Steps** to attach the driver side 2nd Bracket to the (2) Bolt Plates, **(Figures 6 & 7)**



NB1 OVERLAND RUNNING BOARDS
03-23 1500-3500 CHEVY EXPRESS FULL-SIZE VAN (Excl. Express 3500/4500 Cutaway Van)
Driver/Left side installation pictured



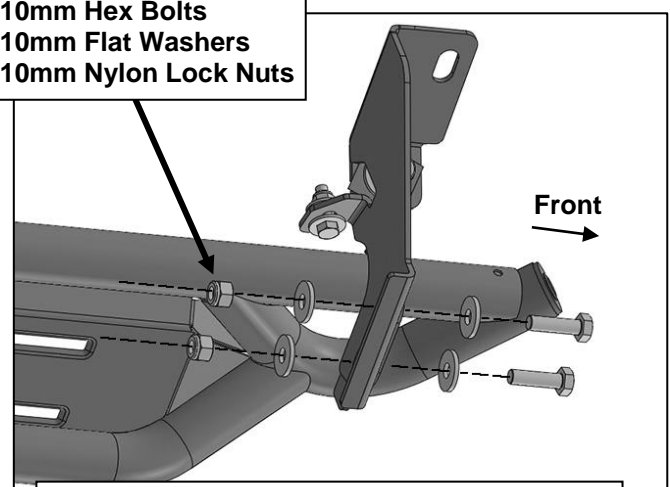
(Fig 8) Locate the (2) struts on the Driver/Left floor panel shown in the image. Insert (1) 10mm Bolt Plate into the indicated slot per strut. Thread (1) 10mm Plastic Retainer onto each Bolt Plate to hold them in place.



- 10mm Bolt Plate
- 10mm Plastic Retainer
- 10mm Flat Washer
- 10mm Nylon Lock Nut

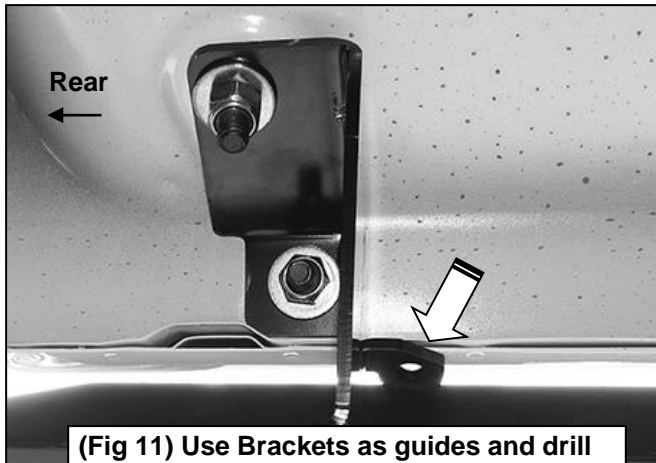
(Fig 9) Attach (1) Driver/Left Rear Mounting Bracket per 10mm Bolt Plates

- (2) 10mm Hex Bolts
- (4) 10mm Flat Washers
- (2) 10mm Nylon Lock Nuts



(Fig 10) Attach Driver/Left Overland Running Board to the (4) Mounting Brackets

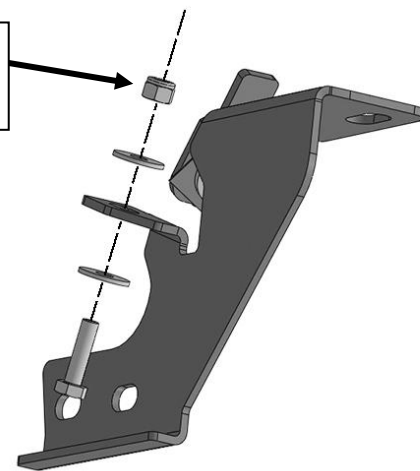
NB1 OVERLAND RUNNING BOARDS
03-23 1500-3500 CHEVY EXPRESS FULL-SIZE VAN (Excl. Express 3500/4500 Cutaway Van)
Driver/Left side installation pictured



(Fig 11) Use Brackets as guides and drill 5/16" holes through pinch weld. Do not drill too close to edge of pinch weld

Level and adjust the Running Board. Push the Mounting Brackets up tight against the bottom of the body and fully tighten all hardware. Use the mounting tab on each Bracket for a guide, mark the location and drill a 5/16" hole through the pinch weld on all (4) Brackets, **(Figure 11)**. **VERY IMPORTANT:** Do not drill too close to the edge of the pinch weld, adjust Bracket position as required before drilling through pinch weld. **NOTE:** It may be necessary to remove Running Board and Brackets to drill the required holes through the pinch weld.

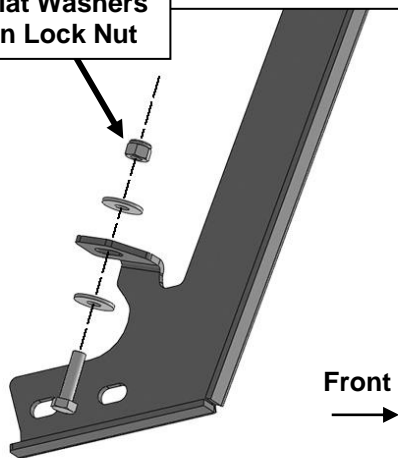
8mm Hex Bolt
(2) 8mm Flat Washers
8mm Nylon Lock Nut



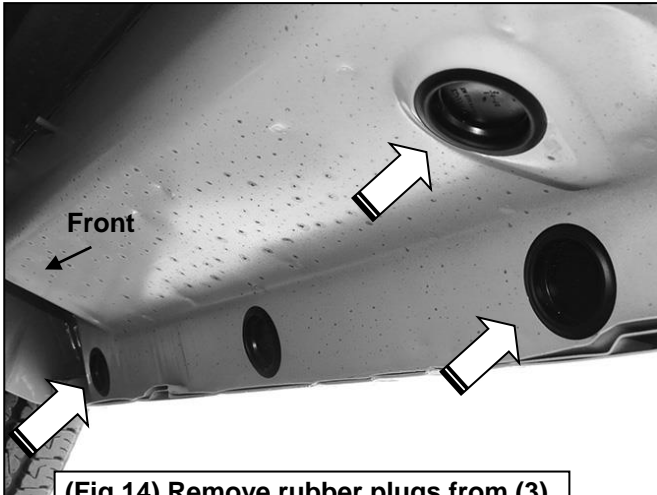
(Fig 12) Attach Driver side front Bracket to pinch weld

Attach all (4) Mounting Brackets to the pinch weld through the newly drilled holes with (1) 8mm Hex Bolt, (2) 8mm Flat Washers and (1) 8mm Nylon Lock Nut, **(Figures 12 & 13)**

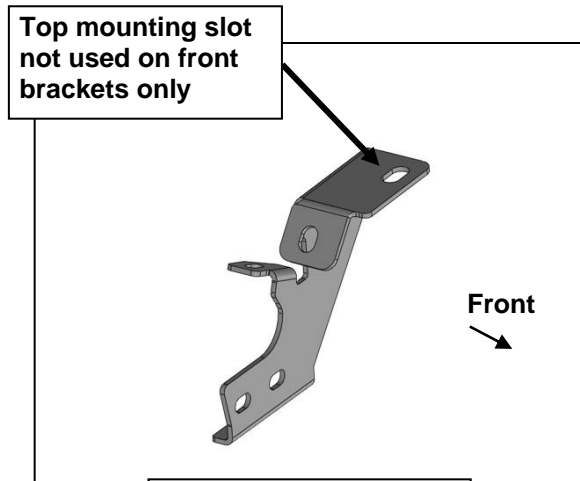
8mm Hex Bolt
(2) 8mm Flat Washers
8mm Nylon Lock Nut



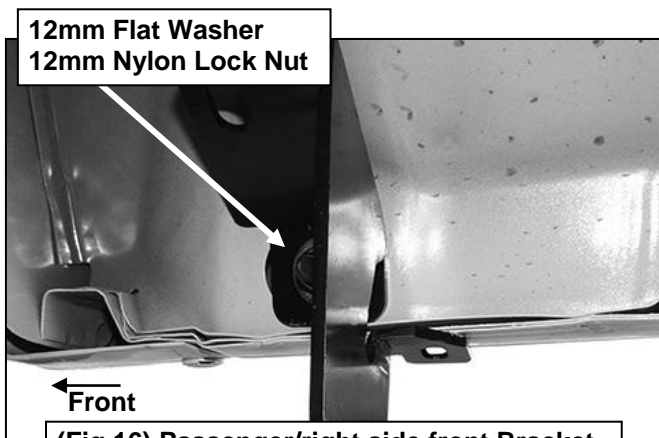
(Fig 13) Attach Driver side rear Brackets to pinch weld



(Fig 14) Remove rubber plugs from (3) passenger side front and #2 Bracket mounting locations. Follow page 2

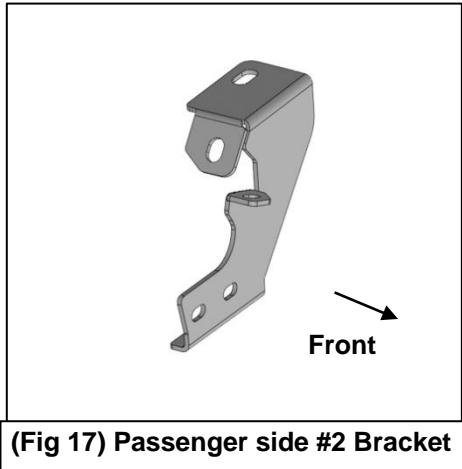


(Fig 15) Passenger side front Mounting Bracket



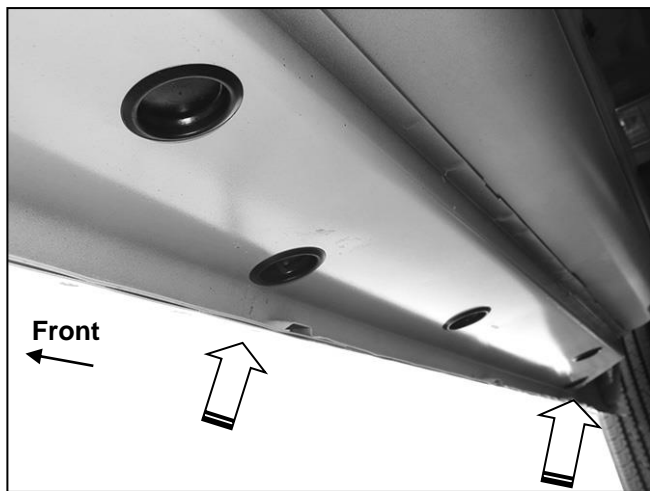
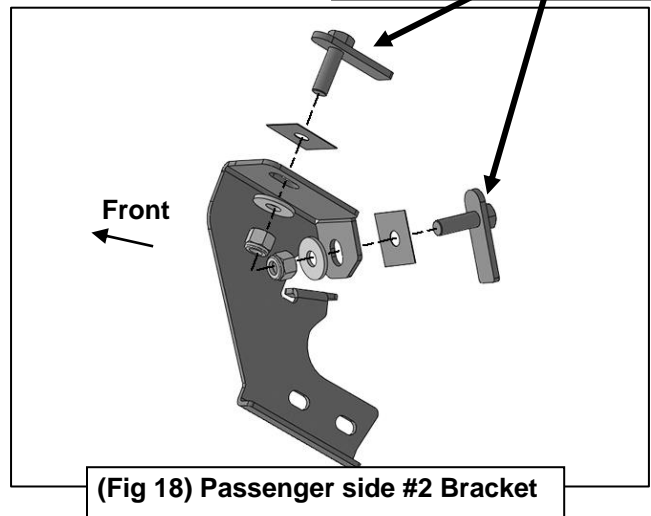
(Fig 16) Passenger/right side front Bracket

03-23 1500-3500 CHEVY EXPRESS FULL-SIZE VAN (Excl. Express 3500/4500 Cutaway Van)
 Passenger/right side installation pictured



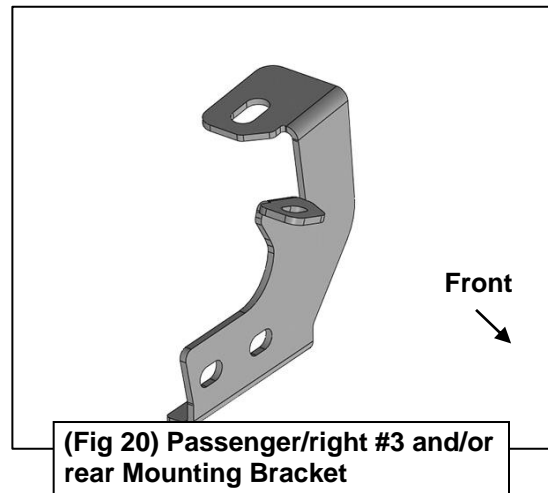
Move along the bottom of the body to the 2nd bracket location, **(Figure 14)**. Locate and remove the (2) rubber plugs. Insert (1) 12mm Bolt Plate into each opening. Repeat **Previous Steps** to attach the passenger side 2nd Bracket to the (2) Bolt Plates, **(Figures 17 & 18)**

- (2) 12mm Bolt Plates
- (2) 12mm Plastic Retainers
- (2) 12mm Flat Washers
- (2) 12mm Nylon Lock Nuts

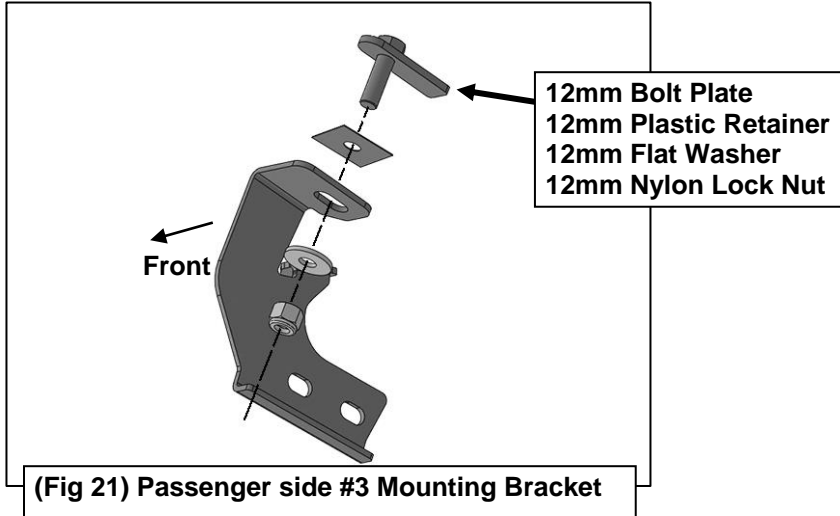


(Fig 19) Passenger side #3 and rear mounting locations (arrows)

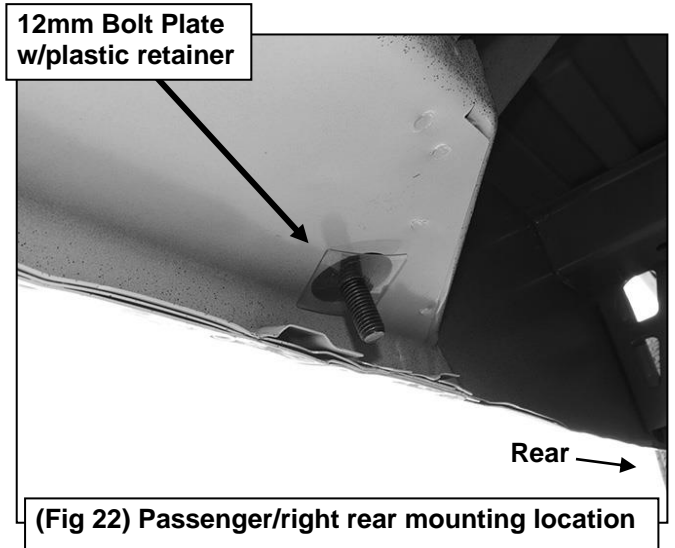
Move along the bottom of the body to the 3rd and 4th bracket locations, **(Figure 19)**. Locate and remove the (2) rubber plugs indicated by arrows. Insert (1) 12mm Bolt Plate into each opening. Repeat **Previous Steps** to attach the passenger side 3rd and Rear Bracket to the (2) Bolt Plates, **(Figures 20 & 21)**



03-23 1500-3500 CHEVY EXPRESS FULL-SIZE VAN (Excl. Express 3500/4500 Cutaway Van)
 Passenger/right side installation pictured

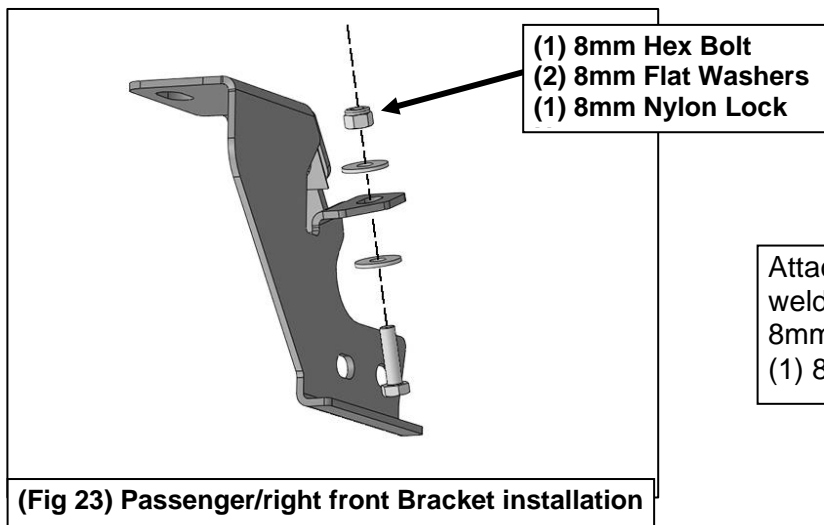


(Fig 21) Passenger side #3 Mounting Bracket



(Fig 22) Passenger/right rear mounting location

Level and adjust the Running Board. Push the Mounting Brackets up tight against the bottom of the body and fully tighten all hardware. Use the mounting tab on each Bracket for a guide, mark the location and drill a 5/16" hole through the pinch weld on all (4) Brackets. **VERY IMPORTANT:** Do not drill too close to the edge of the pinch weld, adjust Bracket position as required before drilling through pinch weld. **NOTE:** It may be necessary to remove Running Board and Brackets to drill the required holes through the pinch weld.



(Fig 23) Passenger/right front Bracket installation

Attach all (4) Mounting Brackets to the pinch weld through the newly drilled holes with (1) 8mm Hex Bolt, (2) 8mm Flat Washers and (1) 8mm Nylon Lock Nut, (Figure 23)