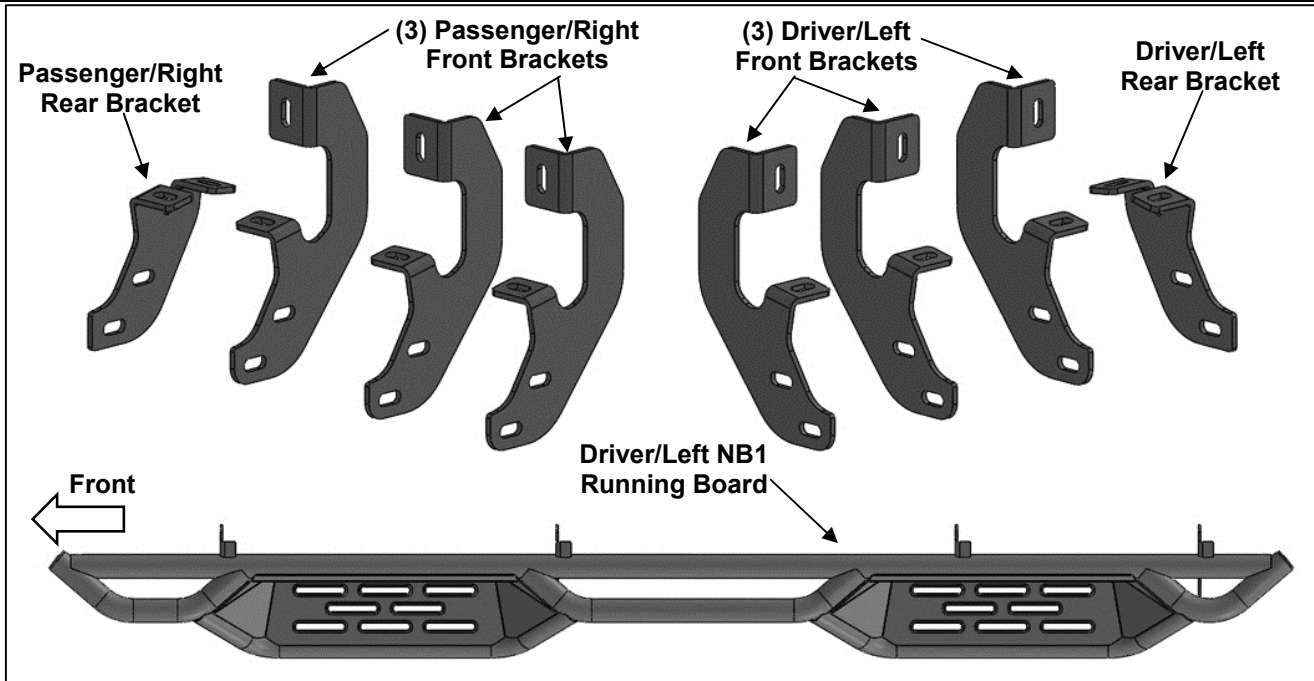


**PARTS LIST:**

1	Driver/Left NB1 Running Board	16	10mm x 35mm Hex Bolts
1	Passenger/Right NB1 Running Board	32	10mm x 27mm OD x 3mm Flat Washers
3	Driver/Left Front Mounting Brackets	16	10mm Nylon Lock Nuts
3	Passenger/Right Front Mounting Brackets	16	8mm x 30mm Hex Bolts
1	Driver/Left Rear Mounting Bracket	16	8mm Lock Washers
1	Passenger/Right Rear Mounting Bracket	16	8mm x 24mm OD x 2mm Flat Washers



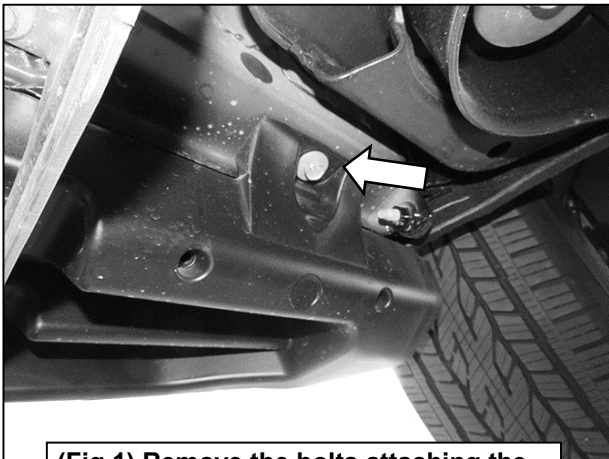
**PROCEDURE:**

**REMOVE CONTENTS FROM BOX. VERIFY ALL PARTS ARE PRESENT. READ INSTRUCTIONS CAREFULLY BEFORE STARTING INSTALLATION. ASSISTANCE IS RECOMMENDED.**

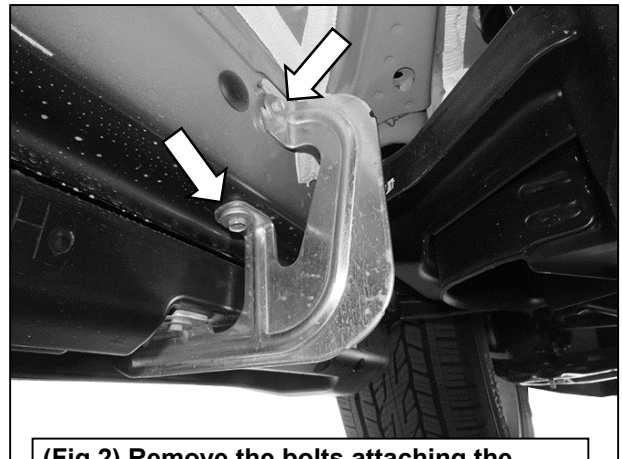
1. Start the installation under the Driver/Left side of the vehicle. Locate and remove all hardware attaching the running board and factory brackets to the rocker panel. **(Figures 1 & 2).**
2. Select (1) Driver/Left Front Mounting Bracket. Attach the Mounting Bracket to the factory threaded holes with (2) 8mm Hex Bolts, (2) 8mm Lock Washers and (2) 8mm Flat Washers, **(Figures 3 & 4).** Do not tighten hardware.
3. Move along the body to the next mounting location. Repeat **Steps 1 & 2** to attach a Mounting Bracket to the 2nd and 3rd mounting locations.
4. Move to the rear mounting location, **(Figure 5).** Select the Driver/Left Rear Mounting Bracket. Attach the Mounting Bracket to the rear location with (2) 8mm Hex Bolts, (2) 8mm Lock Washers and (2) 8mm Flat Washers, **(Figures 6 & 7).** Do not tighten hardware.
5. Select the Driver/Left NB1 Running Board. Attach the Running Board to the rear side of the Mounting Brackets with (8) 10mm Hex Bolts, (16) 10mm Flat Washers and (8) 10mm Nylon Lock Nuts, **(Figure 8).** Do not tighten hardware.
6. Level and adjust the Running Board and fully tighten all hardware.
7. Repeat **Steps 1—6** to attach the Passenger/Right NB1 Running Board.
8. Do periodic inspections to the installation to make sure that all hardware is secure and tight.

**To protect your investment,** Do not use any type of polish or wax that may contain abrasives that could damage the finish. Mild soap may be used also to clean Running Boards.

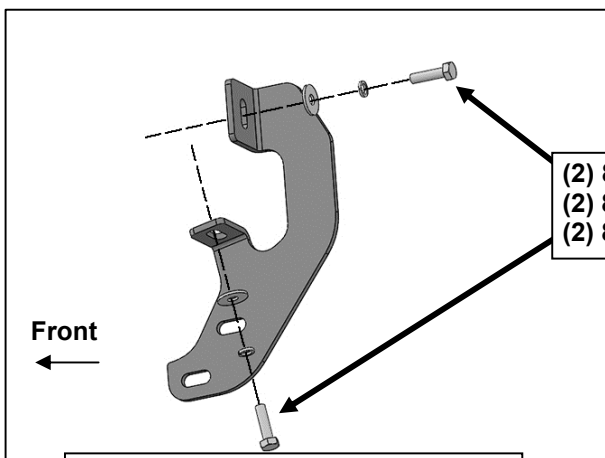
### Driver/Left side Installation Pictured



(Fig 1) Remove the bolts attaching the factory running board to the floor panel



(Fig 2) Remove the bolts attaching the running board brackets to the rocker panel



- (2) 8mm Hex Bolts
- (2) 8mm Lock Washers
- (2) 8mm Flat Washers

(Fig 3) Attach (1) Mounting Bracket to the Driver/Left front location



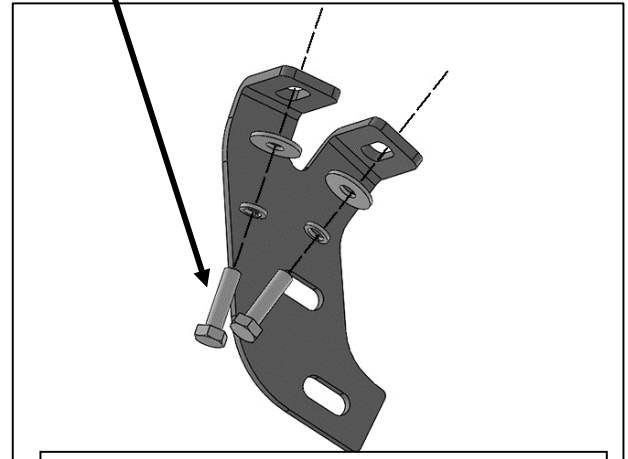
(Fig 4) (1) Driver/Left Front Mounting Bracket attached to the Driver/Left front location

### Driver/Left side Installation Pictured

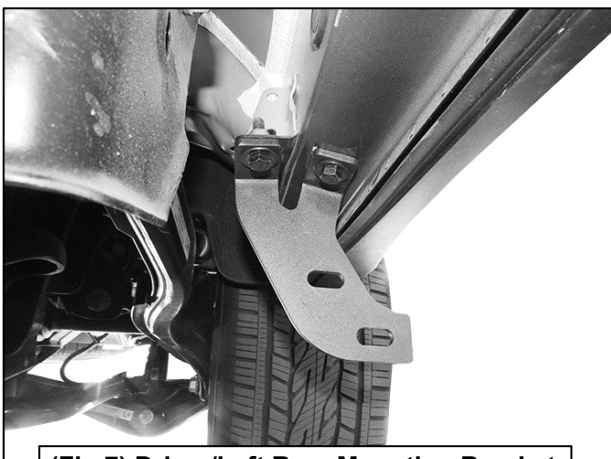


**(Fig 5) Driver/Left rear mounting location**

- (2) 8mm Hex Bolts
- (2) 8mm Lock Washers
- (2) 8mm Flat Washers

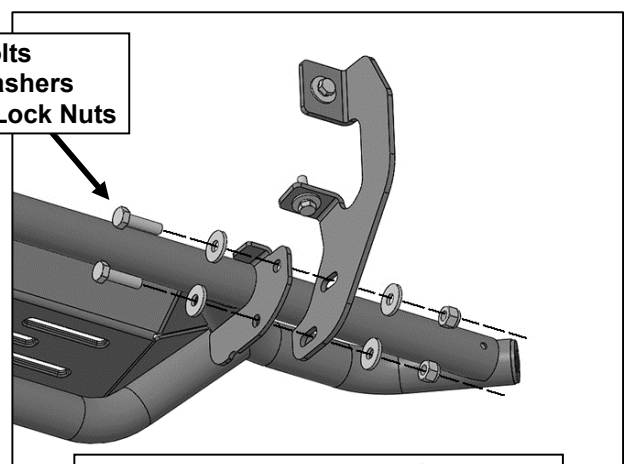


**(Fig 6) Attach the Driver/Left Rear Mounting Bracket to the rear mounting location**



**(Fig 7) Driver/Left Rear Mounting Bracket attached to the rear mounting location**

- (2) 10mm Hex Bolts
- (2) 10mm Flat Washers
- (2) 10mm Nylon Lock Nuts



**(Fig 8) Attach the Driver/Left Running Board to the (4) Mounting Brackets**