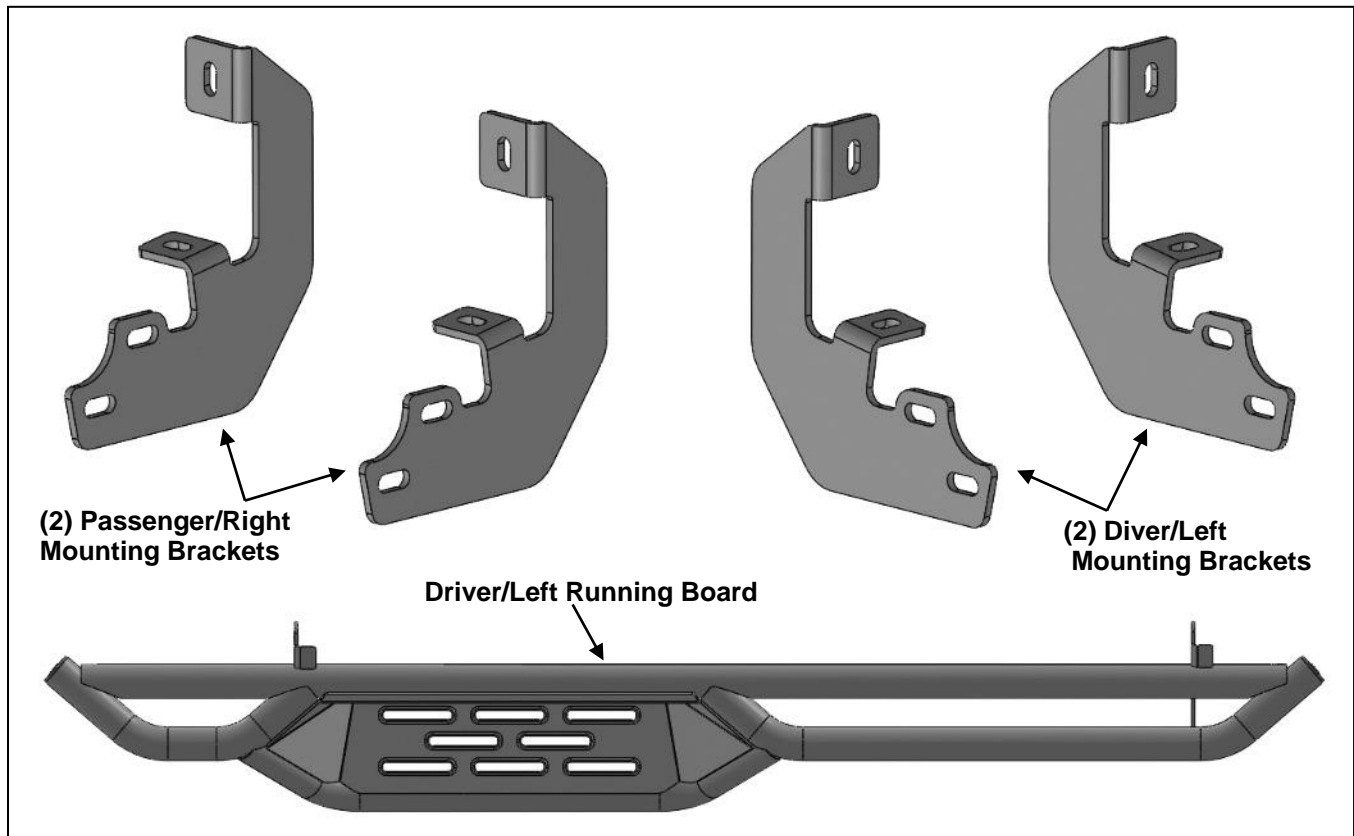


PARTS LIST:

1	Driver/Left NB1 Running Board	16	10mm x 27mm x 3mm Flat Washers
1	Passenger/Right NB1 Running Board	8	10mm Nylon Lock Nuts
2	Driver/Left Mounting Brackets	8	8-1.25mm x 30mm Hex Bolts
2	Passenger/Right Mounting Brackets	8	8mm Lock Washers
8	10-1.5mm x 35mm Hex Bolts	8	8mm x 24mm x 2mm Flat Washers



PROCEDURE:

REMOVE CONTENTS FROM BOX. VERIFY ALL PARTS ARE PRESENT. READ INSTRUCTIONS CAREFULLY BEFORE STARTING INSTALLATION. ASSISTANCE IS RECOMMENDED.

1. Start the installation under the Driver/Left side of the vehicle. Locate the plastic plugs along the bottom edge of the body. Mounting Brackets will attach to the threaded mounting holes at the front and rear of the cab. Remove the plastic plugs from the front mounting location. Directly above each threaded insert is a top mounting location with a threaded insert on the side of the body panel, **(Figure 1)**. Hold a Bracket up in place to help determine the correct mounting holes to use along the body. **NOTE:** Thread an 8mm Hex Bolt into the threaded inserts to clear paint as required.
2. Select (1) Driver/Left Mounting Bracket. Starting at the front of the Driver/Left side, attach the Mounting Bracket to the factory threaded holes with (2) 8mm x 30mm Hex Bolts, (2) 8mm Lock Washers and (2) 8mm Flat Washers, **(Figure 2)**. Do not fully tighten hardware.
3. Move to the Driver/Left rear mounting location, **(Figure 3)**. Repeat **Steps 1 & 2** to attach (1) Driver/Left Mounting Bracket to the rocker panel.
4. Select the Driver/Left Running Board. Attach the Running Board to the front face of the Mounting Brackets with (4) 10mm Hex Bolts, (8) 10mm Flat Washers and (4) 10mm Nylon Lock Nuts, **(Figure 4)**
5. Level and adjust the Running Board and fully tighten all hardware.

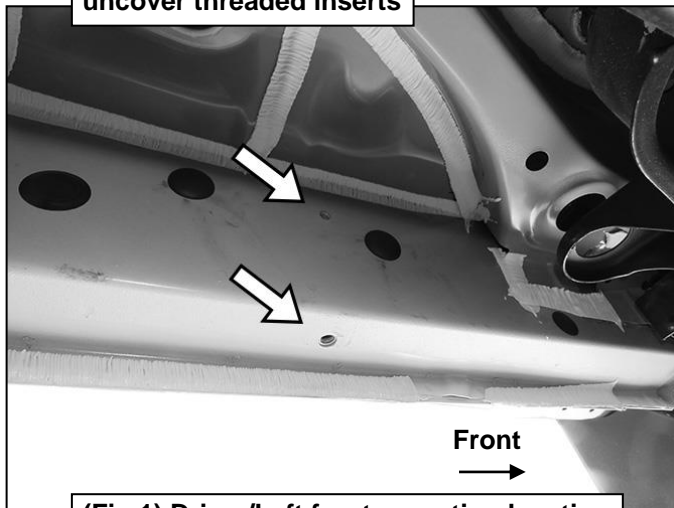
6. Repeat **Steps 1—5** to install the Passenger/Right Running Board.

7. Do periodic inspections to the installation to make sure that all hardware is secure and tight.

To protect your investment, Do not use any type of polish or wax that may contain abrasives that could damage the finish. Mild soap may be used also to clean the Running Board.

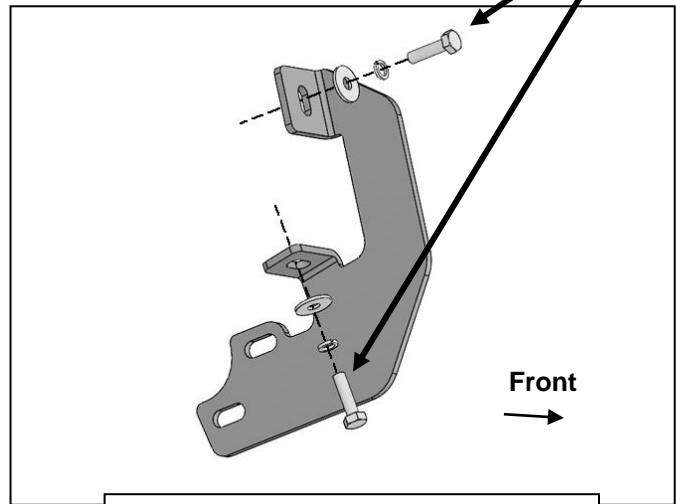
Driver/Left side Installation Pictured

Remove plastic plugs to uncover threaded inserts



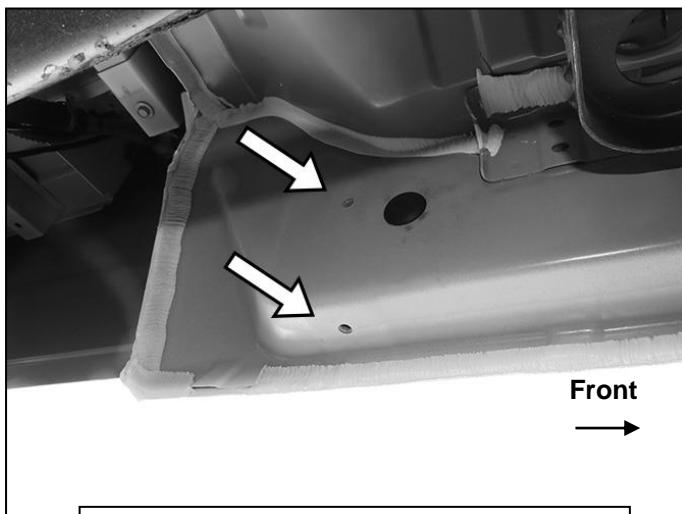
(Fig 1) Driver/Left front mounting location

(2) 8mm Hex Bolts
(2) 8mm Lock Washers
(2) 8mm Flat Washers

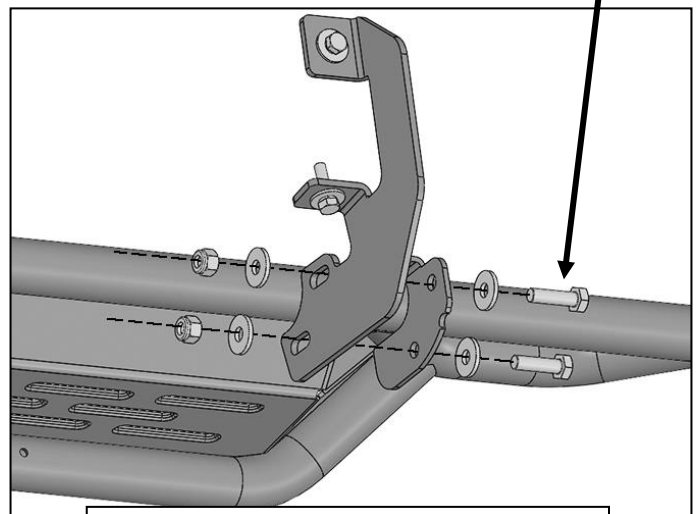


(Fig 2) Mounting Bracket illustration

(2) 10mm Hex Bolts
(4) 10mm Flat Washers
(2) 10mm Nylon Lock Nuts



(Fig 3) Driver/Left rear mounting location



(Fig 4) Attach the Running Board to the front face of the mounting brackets