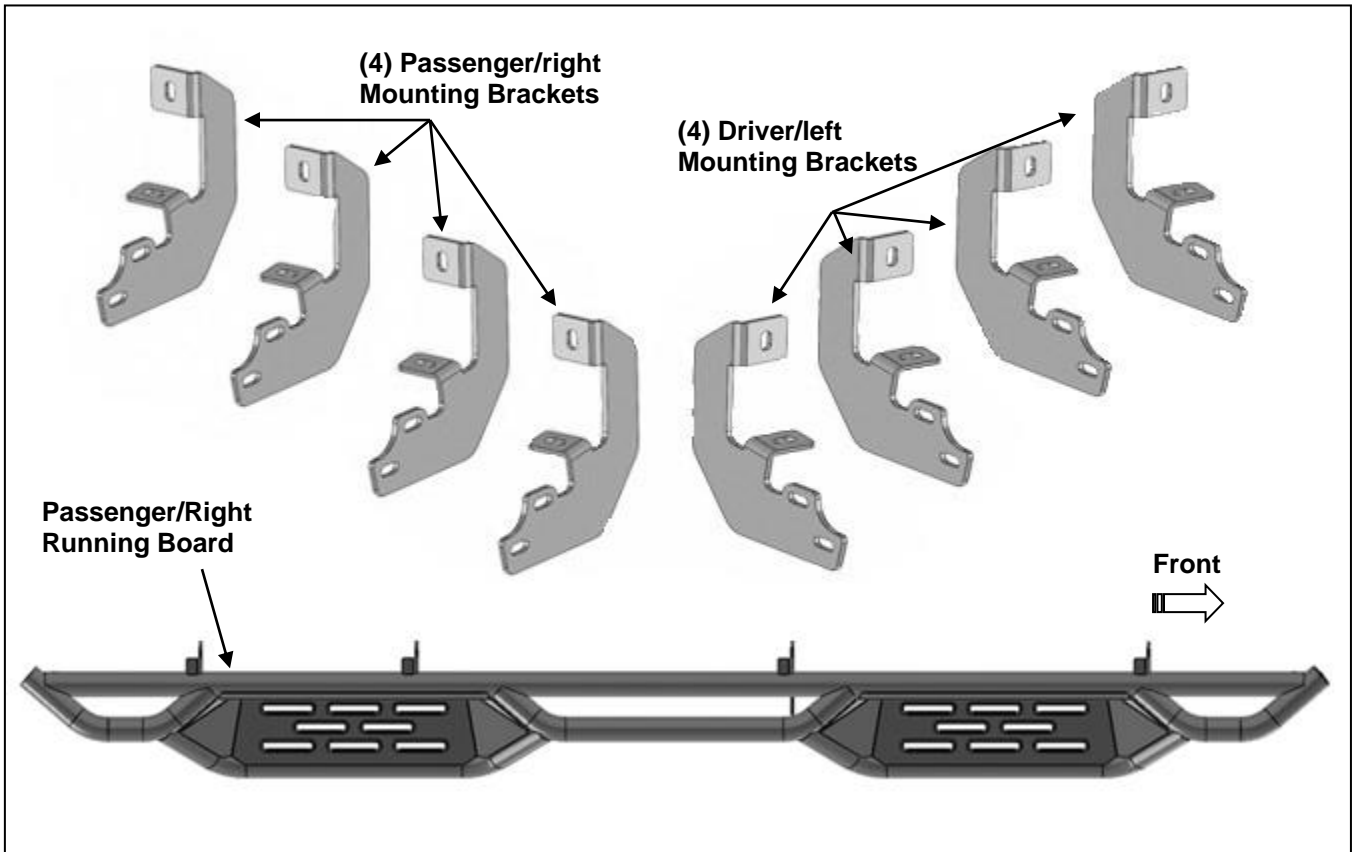


**PARTS LIST:**

1	Driver/left side NB1 Running Board	32	10mm x 27mm x 3mm Flat Washers
1	Passenger/right side NB1 Running Board	16	10mm Nylon Lock Nuts
4	Driver/left side Mounting Brackets	16	8-1.25mm x 30mm Hex Bolts
4	Passenger/right side Mounting Brackets	16	8mm Lock Washers
16	10-1.5mm x 35mm Hex Bolts	16	8mm x 24mm x 2mm Flat Washers



**PROCEDURE:**

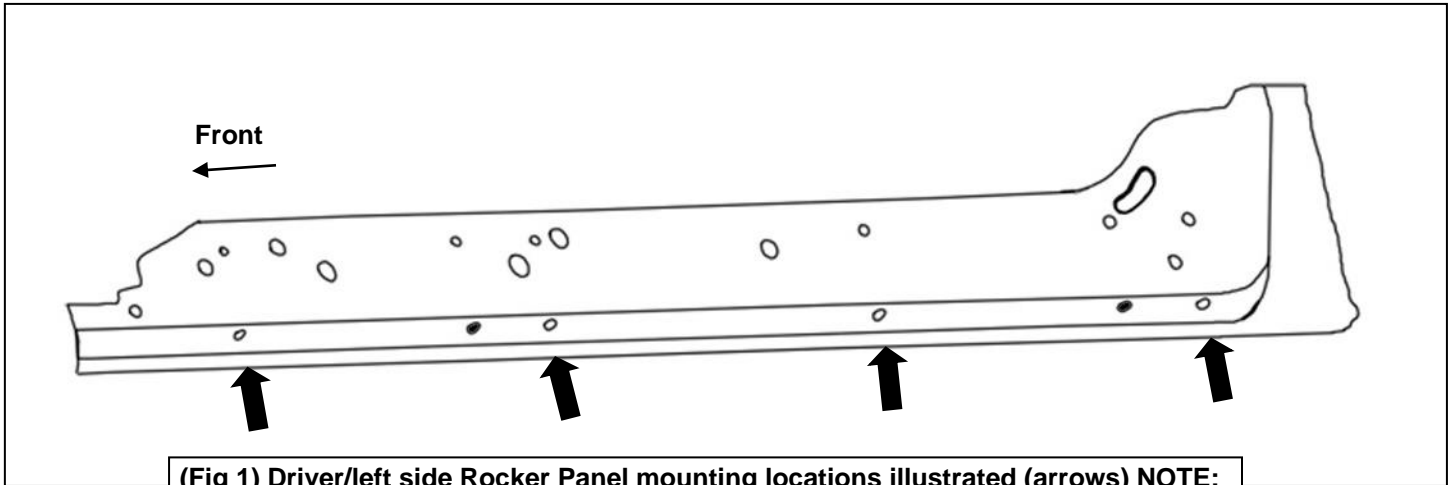
**REMOVE CONTENTS FROM BOX. VERIFY ALL PARTS ARE PRESENT. READ INSTRUCTIONS CAREFULLY BEFORE STARTING INSTALLATION. ASSISTANCE IS RECOMMENDED.**

1. Start the installation under the passenger/right side of the vehicle. Locate the 6 plugs along the bottom edge of the body. Mounting Brackets will bolt to the 1st, 3rd, 4th and 6th threaded mounting holes, **(Figure 1)**. Remove the plastic plugs from each mounting location. Directly above each threaded insert is a top mounting location on the side of the body panel, **(Figure 2)**. Hold a Bracket up in place to help determine the correct mounting holes to use along the body. **NOTE:** Thread an 8mm Hex Bolt into the threaded inserts to clear paint from hole as required.
2. Select (1) Passenger/right side Mounting Bracket. Starting at the front of the passenger/right side, bolt the Mounting Bracket to the factory threaded holes with (2) 8mm Hex Bolts, (2) 8mm Lock Washers and (2) 8mm Flat Washers, **(Figures 3 & 4)**. Do not tighten hardware at this time.
3. Repeat **Steps 1 & 2** to install the Mounting Brackets on the remaining mounting locations along the body panel, **(Figures 5 & 6)**.
4. Carefully unwrap and select the Passenger/right side Running Board. Use the illustration above to help identify the correct Running Board. Position the mounting tabs on the Running Board to the passenger/right rear of the Mounting Brackets, **(Figure 7)**.
5. Attach the Running Board to the Brackets using (8) 10mm Hex Bolts, (16) 10mm Flat Washers and (8) 10mm Nylon Lock Nuts, **(Figures 8—10)**. Do not tighten hardware at this time.
6. Level and adjust the Running Board as necessary and fully tighten all hardware.

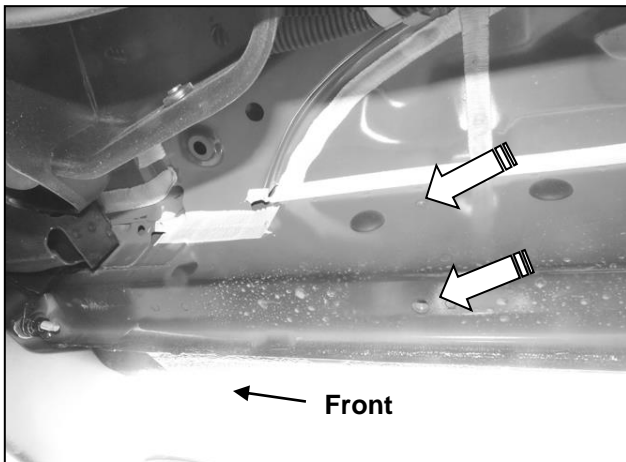
7. Repeat **Steps 1—6** for Driver/left side Running Board installation.
8. Do periodic inspections to the installation to make sure that all hardware is secure and tight.

**To protect your investment**, Do not use any type of polish or wax that may contain abrasives that could damage the finish. Mild soap may be used also to clean the Running Board.

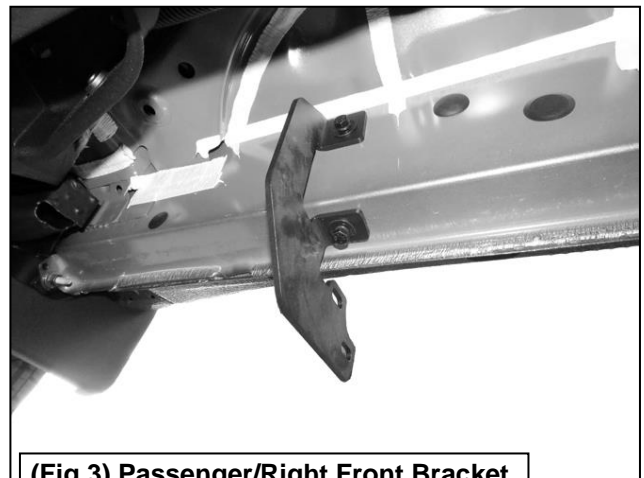
### Passenger/Right side Installation Pictured



(Fig 1) Driver/left side Rocker Panel mounting locations illustrated (arrows) NOTE: Hold Bracket up to body panel to help determine the correct mounting locations.

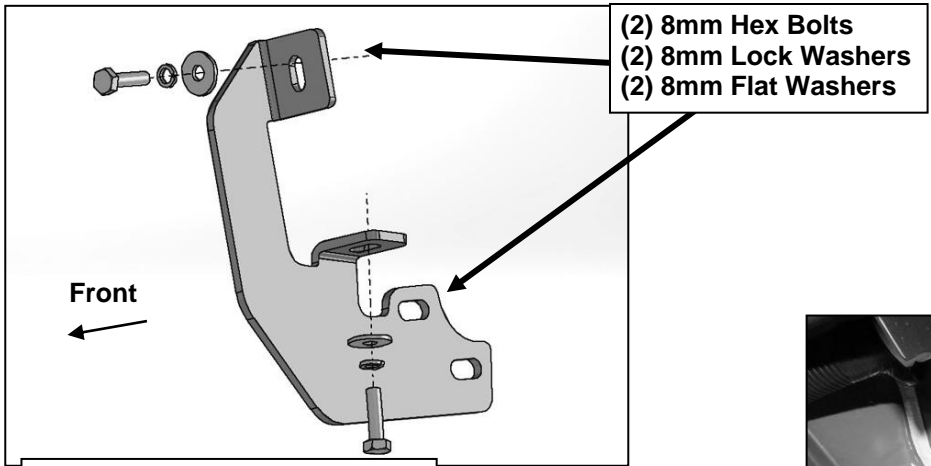


(Fig 2) Passenger/Right front mounting location

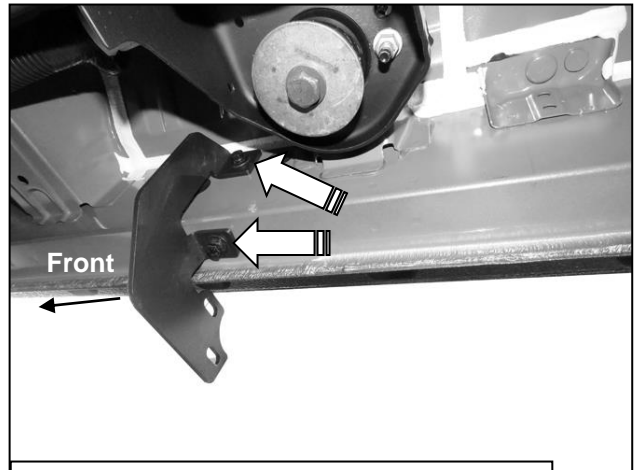


(Fig 3) Passenger/Right Front Bracket

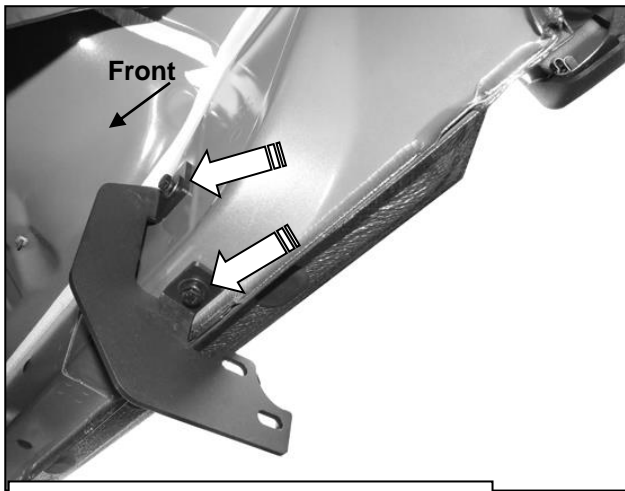
**Passenger/Right side Installation Pictured**



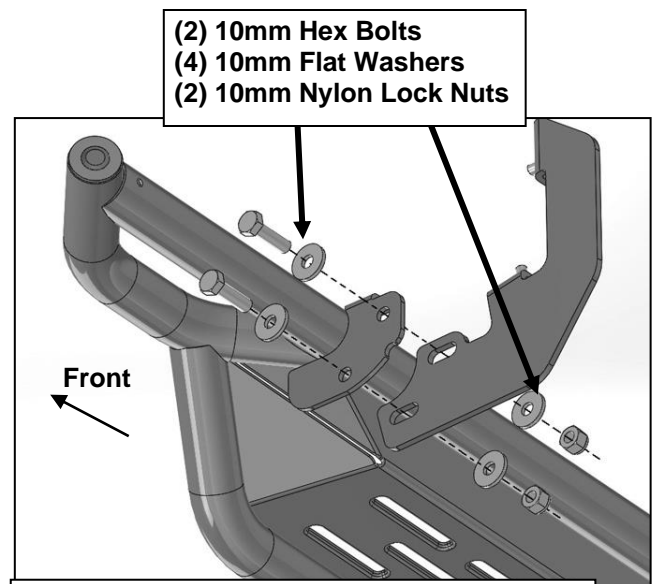
**(Fig 4) Mounting Bracket illustration to Body Panel**



**(Fig 5) Passenger/Right Second Bracket**

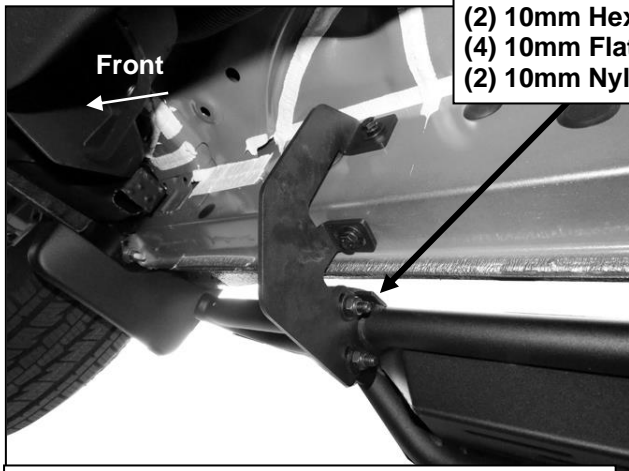


**(Fig 6) Passenger/Right rear Bracket**



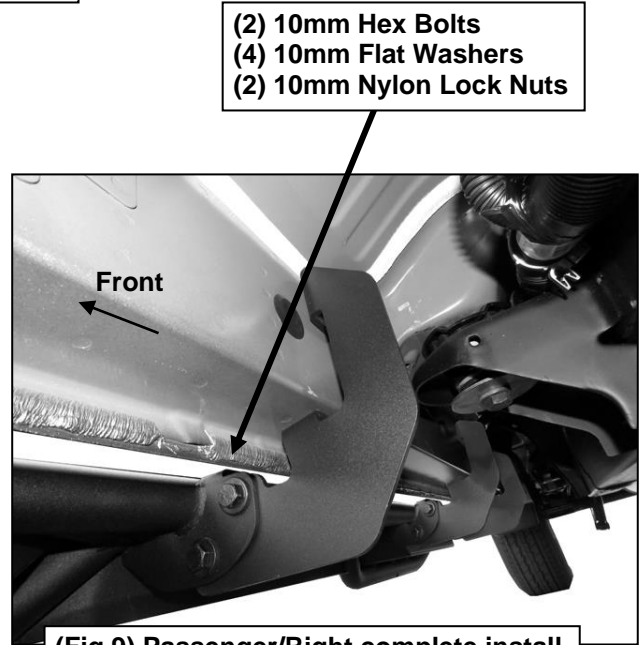
**(Fig 7) Mounting Bracket to Running Board**

### Passenger/Right side Installation Pictured



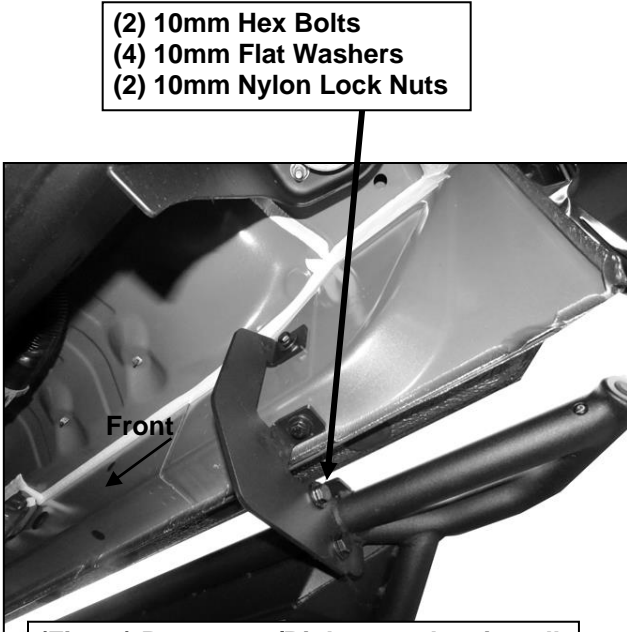
- (2) 10mm Hex Bolts
- (4) 10mm Flat Washers
- (2) 10mm Nylon Lock Nuts

(Fig 8) Passenger/Right front Complete install



- (2) 10mm Hex Bolts
- (4) 10mm Flat Washers
- (2) 10mm Nylon Lock Nuts

(Fig 9) Passenger/Right complete install



- (2) 10mm Hex Bolts
- (4) 10mm Flat Washers
- (2) 10mm Nylon Lock Nuts

(Fig 10) Passenger/Right complete install



Installation Complete