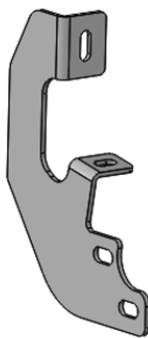
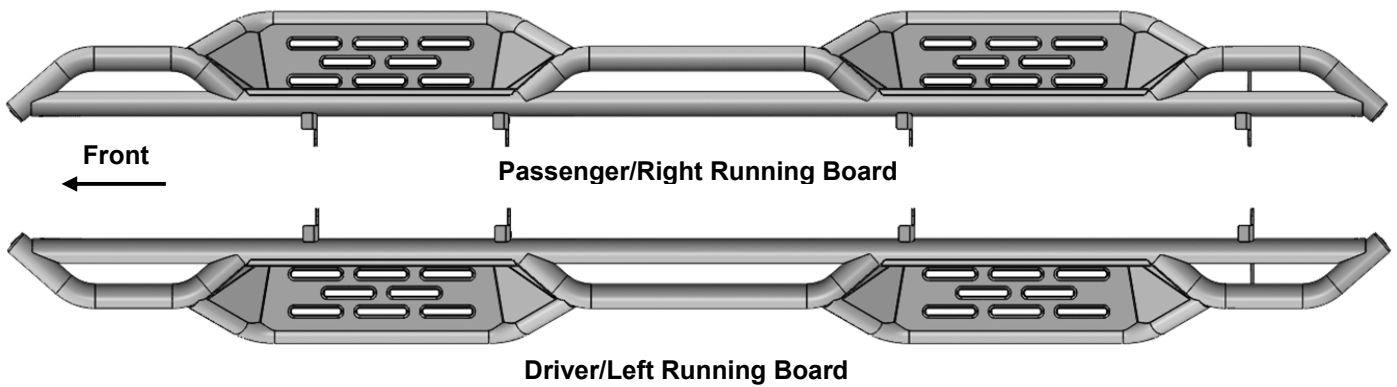


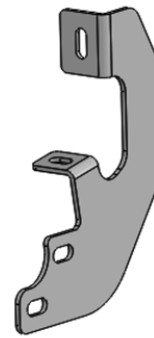
INSTALLATION INSTRUCTIONS

PARTS LIST:

Qty	Description	Qty	Description
1	Driver/Left Running Board	32	10mm x 27mm x 3mm Flat Washers
1	Passenger/Right Running Board	16	10mm Nylon Lock Nuts
4	Driver/Left Mounting Brackets	16	8-1.25mm x 30mm Hex Bolts
4	Passenger/Right Mounting Brackets	16	8mm Lock Washers
16	10-1.50mm x 35mm Hex Bolts	16	8mm x 24mm OD x 2mm Flat Washers



Passenger/Right
Mounting Bracket



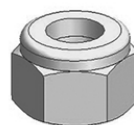
Driver/Left
Mounting Bracket



Hex Bolt



Flat
Washer



M10 Nylon
Lock Nut



Lock
Washer

TOOLS REQUIRED



Ratchet



13 & 16mm Socket



Extensions

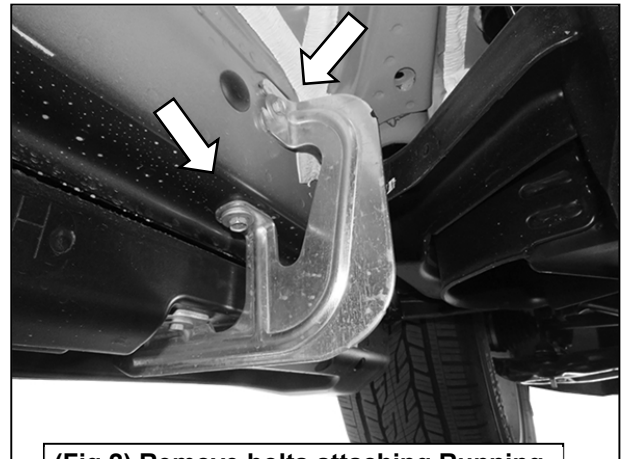


Wrench

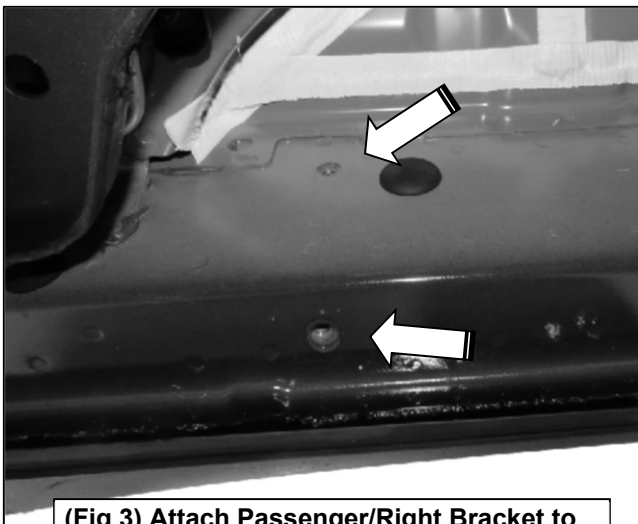
1 Follow (Figures 1-6) to remove factory Running Board and attach brackets to the Passenger/Right Side. Repeat the following steps on the Driver/Left Side.



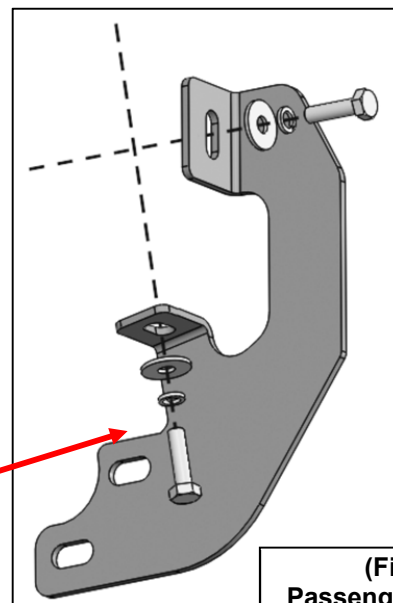
(Fig 1) Remove bolts attaching factory Running Board to Rocker Panel



(Fig 2) Remove bolts attaching Running Board brackets to Rocker Panel

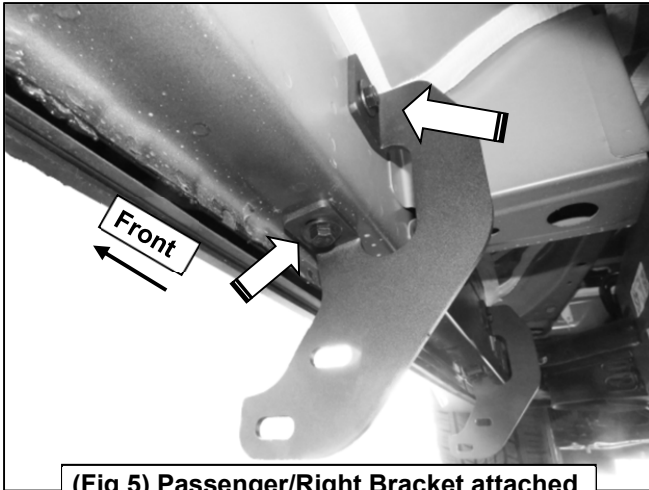


(Fig 3) Attach Passenger/Right Bracket to Rocker Panel



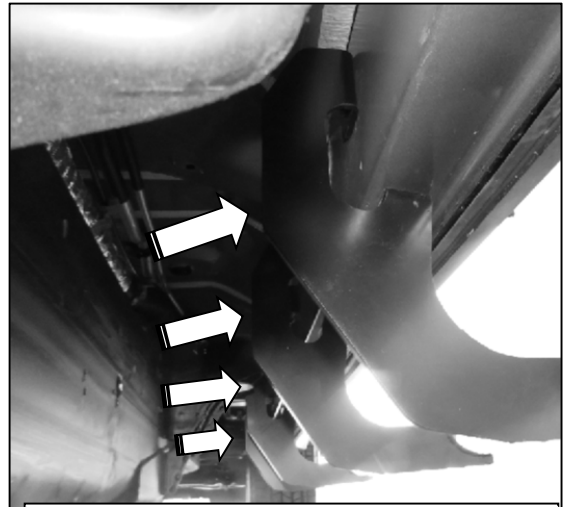
(Fig 4) Attach Passenger/Right Brackets

- (2) 8-1.25mm x 30mm Hex Bolts
- (2) 8mm x 24mm OD x 2mm Flat Washers
- (2) 8mm Lock Washer



(Fig 5) Passenger/Right Bracket attached to Passenger/Right front location

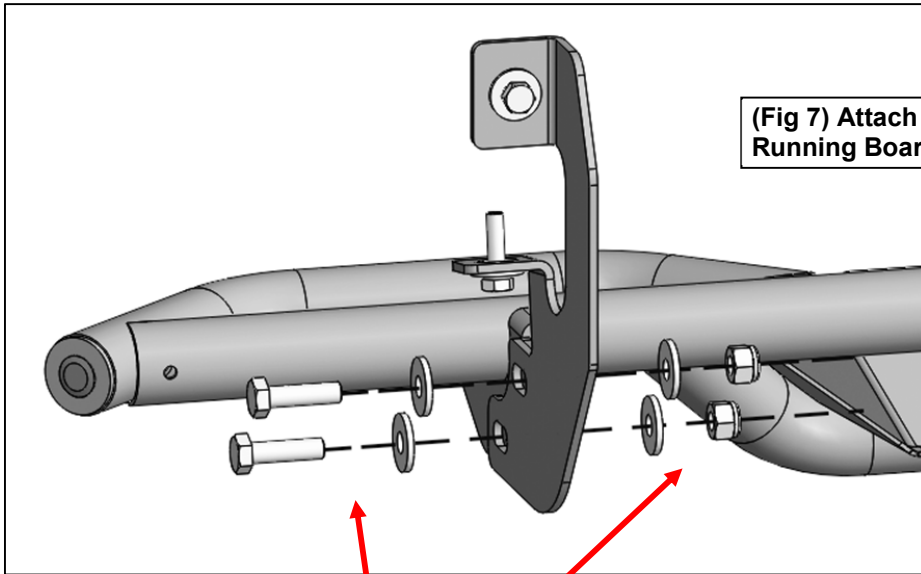
Repeat at 2nd, 3rd, and 4th mount locations



(Fig 6) Passenger/Right Bracket attached to all 4 Passenger/Right locations

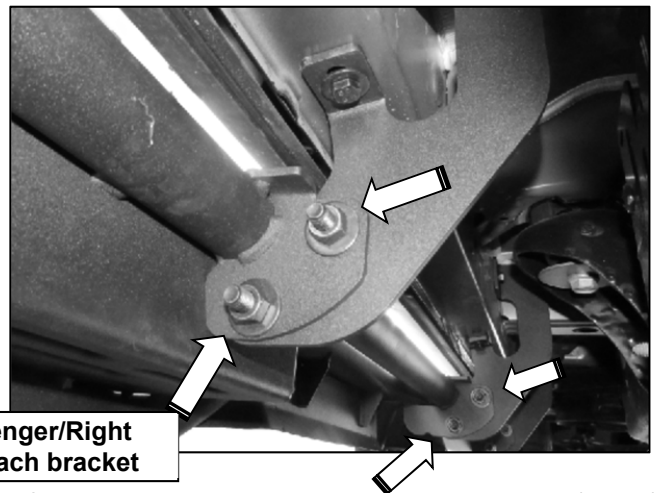
2

Follow (Fig 7-9) to install and level the Passenger/Right Running Board. Repeat the following steps with the Driver/Left Running Board.

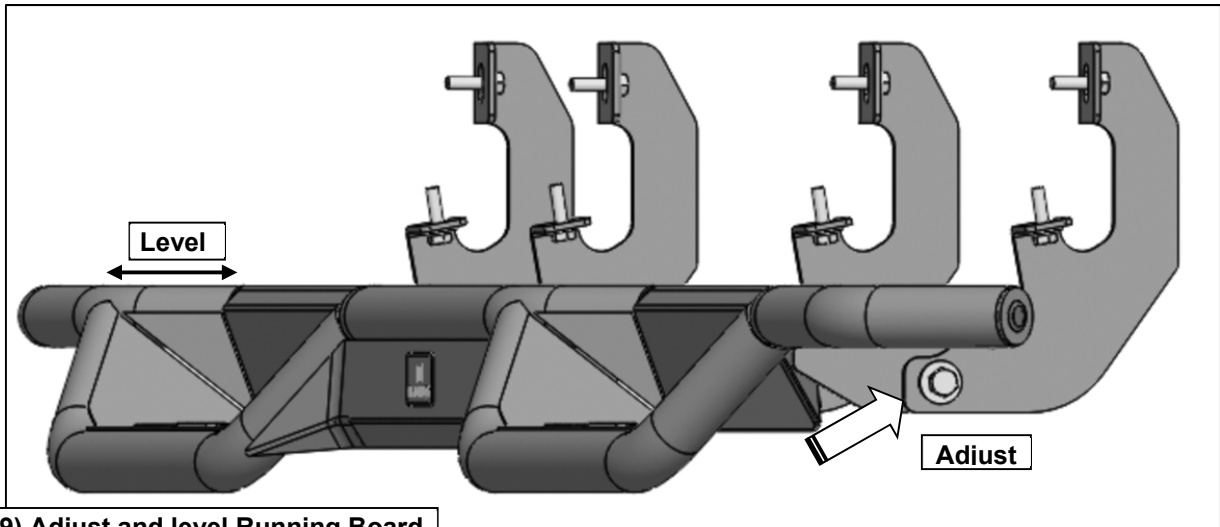


(Fig 7) Attach Passenger/Right Running Board to brackets

- (2) 10-1.50mm x 35mm Hex Bolts
- (4) 10mm x 27mm x 3mm Flat Washers
- (2) 10mm Nylon Lock Nut

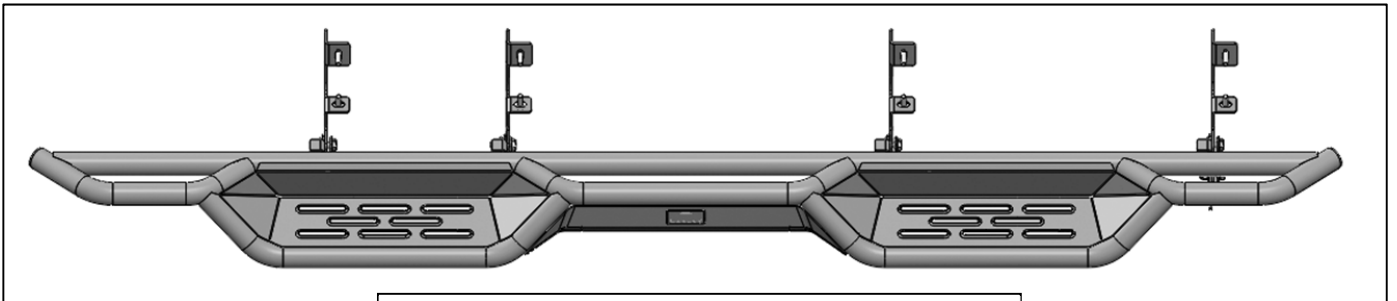


(Fig 8) Attach Passenger/Right Running Board to each bracket



(Fig 9) Adjust and level Running Board

- 3** Installation is complete. Do periodic inspections to the installation to make sure that all hardware is secure and tight.



(Fig 10) Install Passenger/Right Running Board

Complete Installation