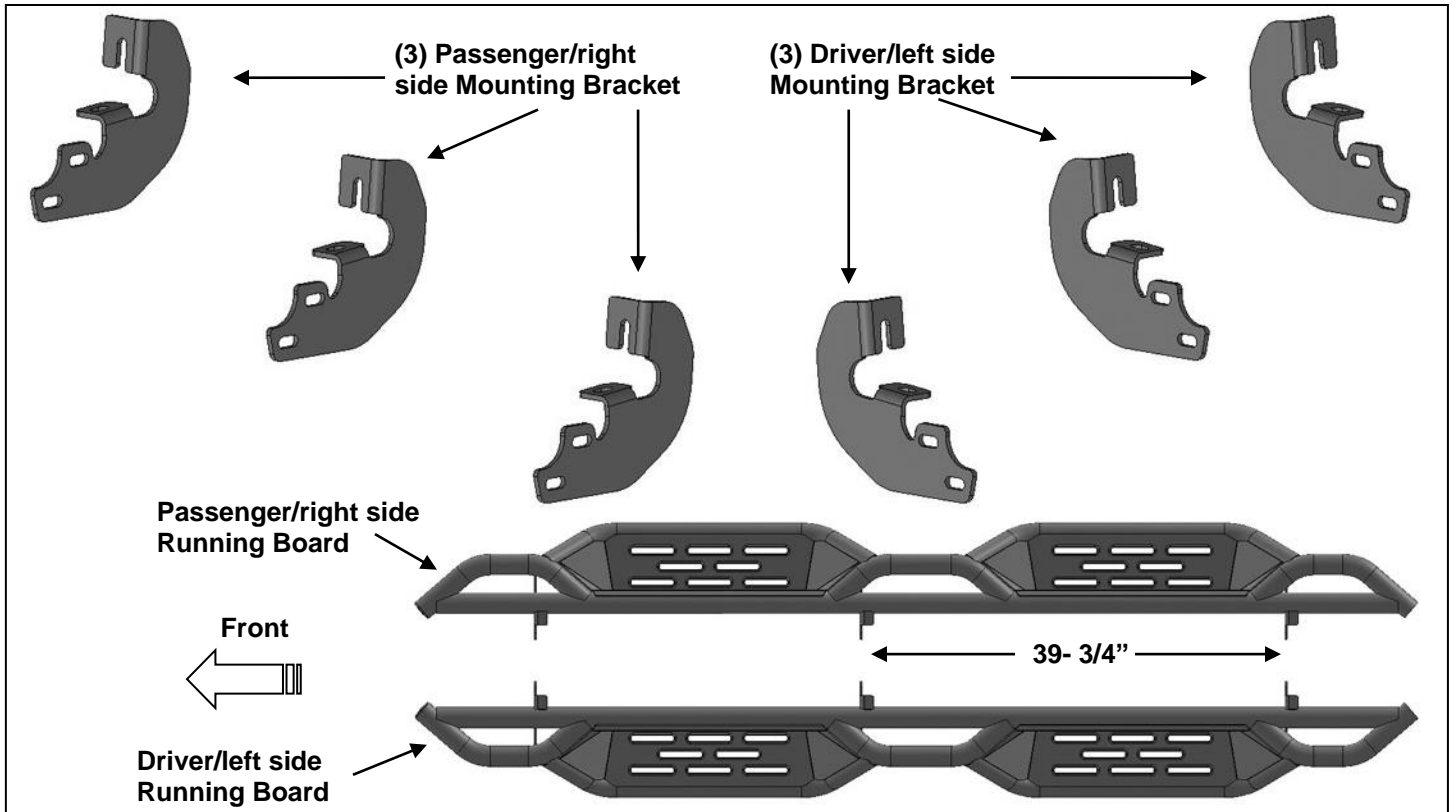


**PARTS LIST:**

|    |  |    |                               |
|----|--|----|-------------------------------|
| 1  | Driver/Left Running Board              | 12 | 10-1.5mm Nylon Lock Nuts      |
| 1  | Passenger/Right Running Board          | 12 | 8-1.25mm Clip-on Nuts         |
| 3  | Driver/Left Side Mounting Brackets     | 12 | 8-1.25mm x 30mm Hex Bolts     |
| 3  | Passenger/Right Side Mounting Brackets | 12 | 8mm x 24mm x 2mm Flat Washers |
| 12 | 10-1.5mm x 35mm Hex Bolts              | 12 | 8mm Lock Washers              |
| 24 | 10mm x 27mm x 3mm Flat Washers         |    |                               |



**PROCEDURE:**

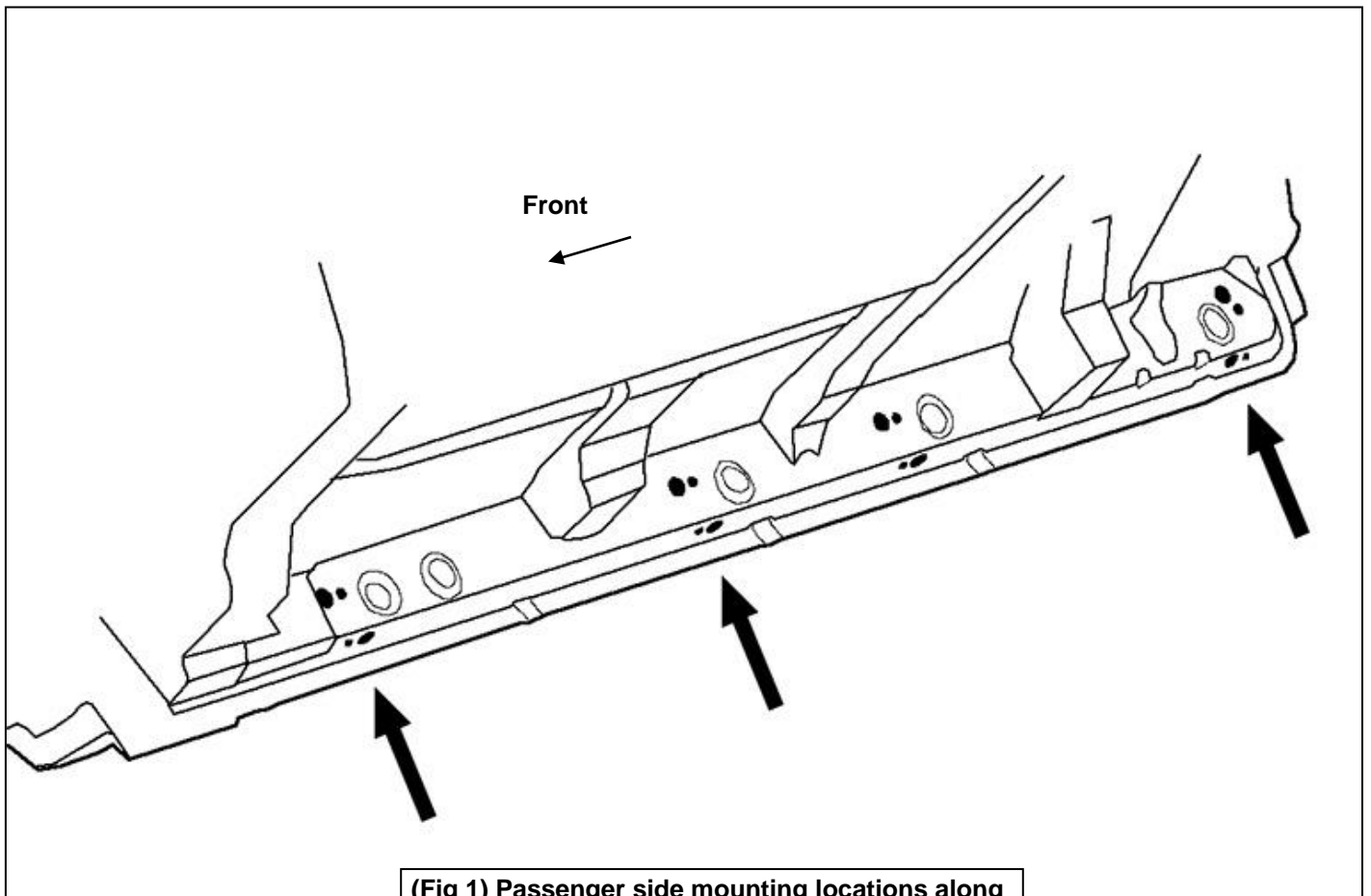
**REMOVE CONTENTS FROM BOX. VERIFY ALL PARTS ARE PRESENT. READ INSTRUCTIONS CAREFULLY BEFORE STARTING INSTALLATION. ASSISTANCE IS RECOMMENDED.**

1. Start the installation under the passenger side of the vehicle. Locate the front mounting location along the bottom and inner side of the body panel, **(Figures 1 & 2)**. **NOTE:** It may help to hold a Bracket up in place to help determine the mounting holes to use along the bottom and inner side of the body.
2. Remove rubber plugs from the front location, **(Figure 2)**. Select (2) 8mm Clip Nuts. Slide each Clip Nut into the large hole and over the smaller hole next to it. Line up threaded nut on the Clip Nut with smaller hole in body panel, **(Figure 3)**.
3. Select (1) passenger side Mounting Bracket, **(Figure 4)**. Attach the Bracket to the (2) Clip Nuts with (2) 8mm Hex Bolts, (2) 8mm Lock Washers and (2) 8mm Flat Washers, **(Figures 4 & 5)**. Snug but do not fully tighten the hardware.
4. Move to the next mounting location along the body, **(Figures 1 & 6)**. Repeat **Steps 1—3** to install (1) passenger side Mounting Bracket in the center location, **(Figure 7)**.
5. Next, locate the rear mounting location toward the back of the cab, **(Figures 1 & 8)**. Repeat **Steps 1—3** to install (1) passenger side Mounting Bracket in the rear location, **(Figure 9)**.
6. Once all (3) Brackets have been fully installed, select (1) Running Board. **NOTE:** Use the illustration above to help identify the passenger side Running Board.
7. With assistance, place the Running Board on the front facing side of the Mounting Brackets. Attach the Running Board to the Brackets with (6) 10mm Hex Bolts, (12) 10mm Flat Washers and (6) 10mm Nylon Lock Nuts, **(Figure 10)**.

8. Slide the Running Board in or out as desired. **IMPORTANT:** Do not allow the front of the Running Board to come in contact with front splash guards if equipped. Level and adjust the Running Board as necessary and fully tighten all hardware.
9. Repeat **Steps 1—8** for driver side Running Board installation.
10. Do periodic inspections to the installation to make sure that all hardware is secure and tight.

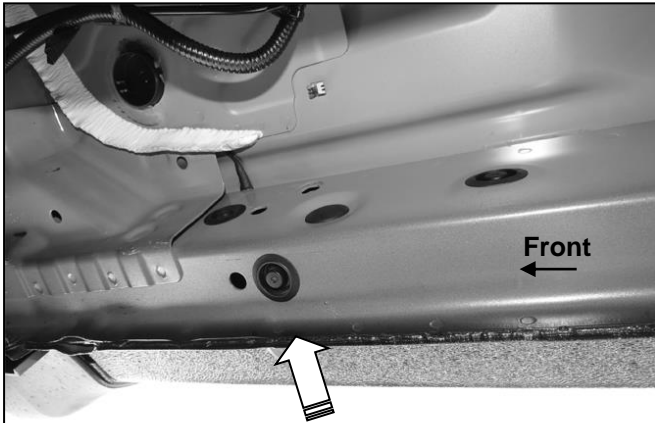
**To protect your investment**, wax this product after installing. Regular waxing is recommended to add a protective layer over the finish. Do not use any type of polish or wax that may contain abrasives that could damage the finish. Mild soap may be used to clean the Running Board.

### Passenger/right Side Installation Pictured

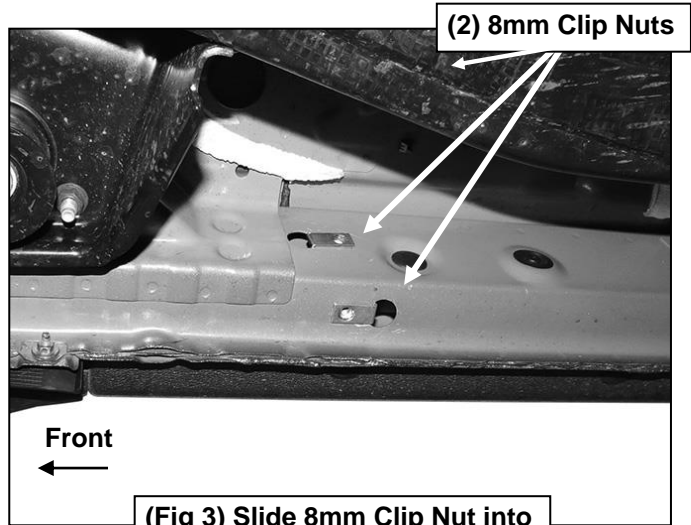


(Fig 1) Passenger side mounting locations along bottom and back of body panel illustrated

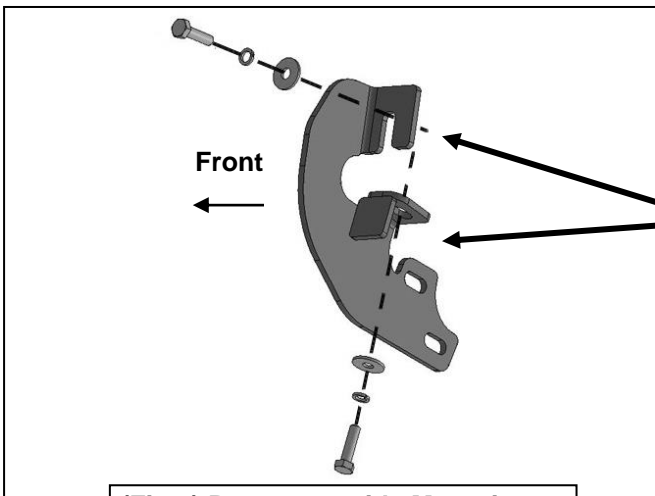
### Passenger/right Side Installation Pictured



(Fig 2) Remove rubber plugs from front mounting location

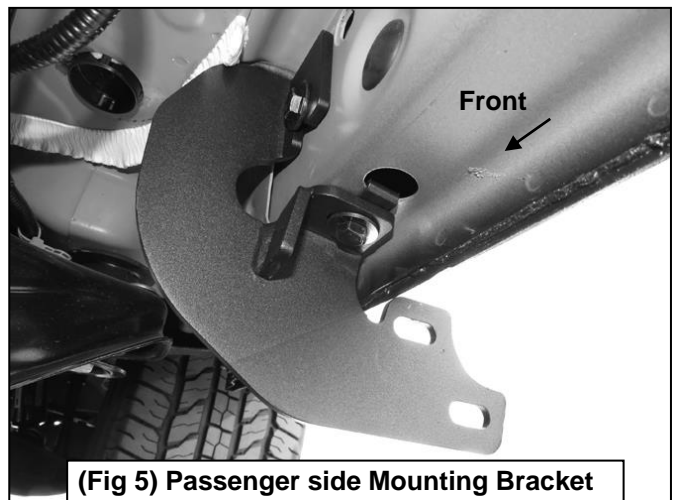


(2) 8mm Clip Nuts  
(Fig 3) Slide 8mm Clip Nut into large hole and over small hole

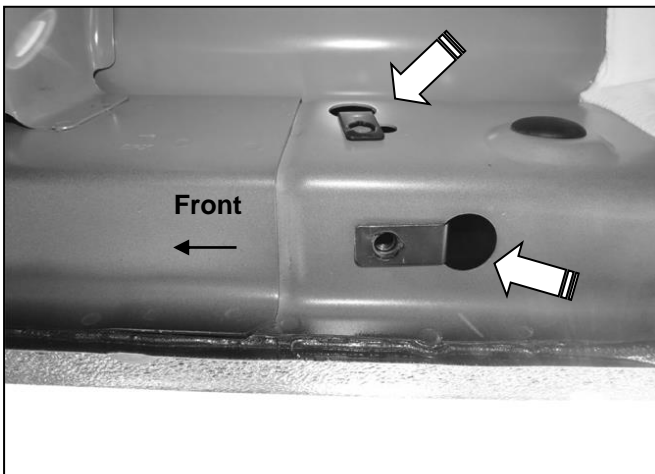


(2) 8mm Hex Bolts  
(2) 8mm Lock Washers  
(2) 8mm Flat Washers

(Fig 4) Passenger side Mounting Bracket with hardware illustrated

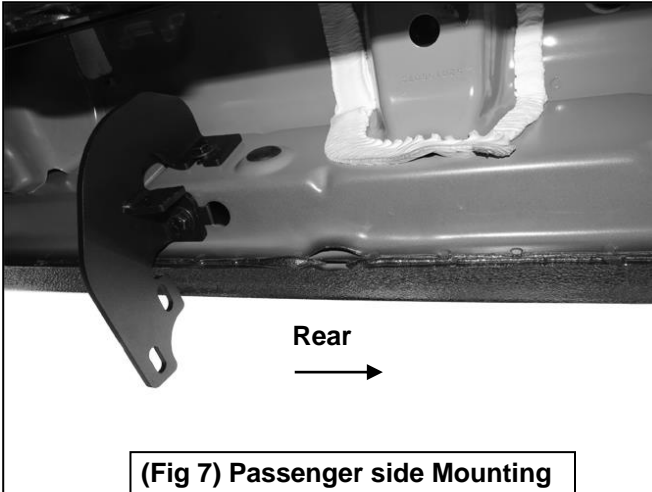


(Fig 5) Passenger side Mounting Bracket installed in the front

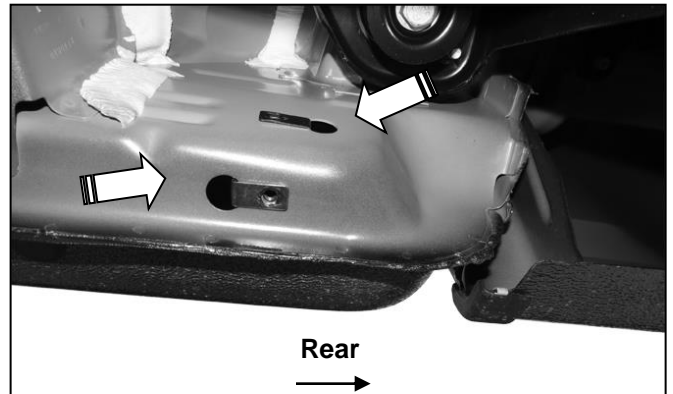


(Fig 6) Passenger side center mounting location

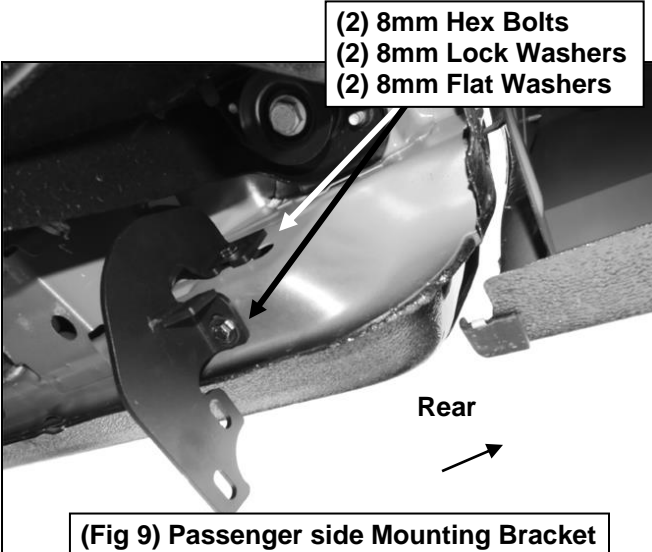
### Passenger/right Side Installation Pictured



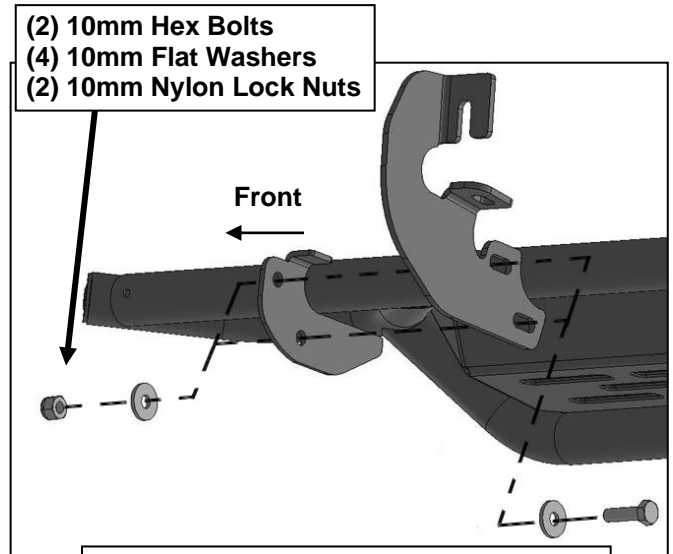
(Fig 7) Passenger side Mounting Bracket installed in the center



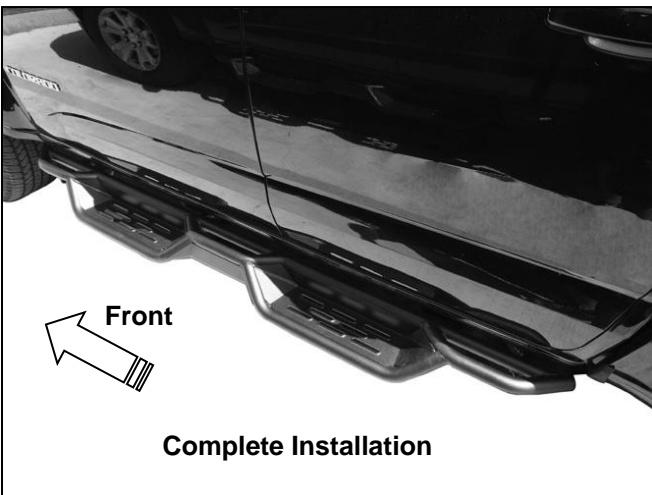
(Fig 8) Passenger side rear mounting location pictured with two 8mm clip-on nuts



(Fig 9) Passenger side Mounting Bracket installed in the rear



(Fig 10) Passenger side front Mounting Bracket attached to Running Board



Complete Installation