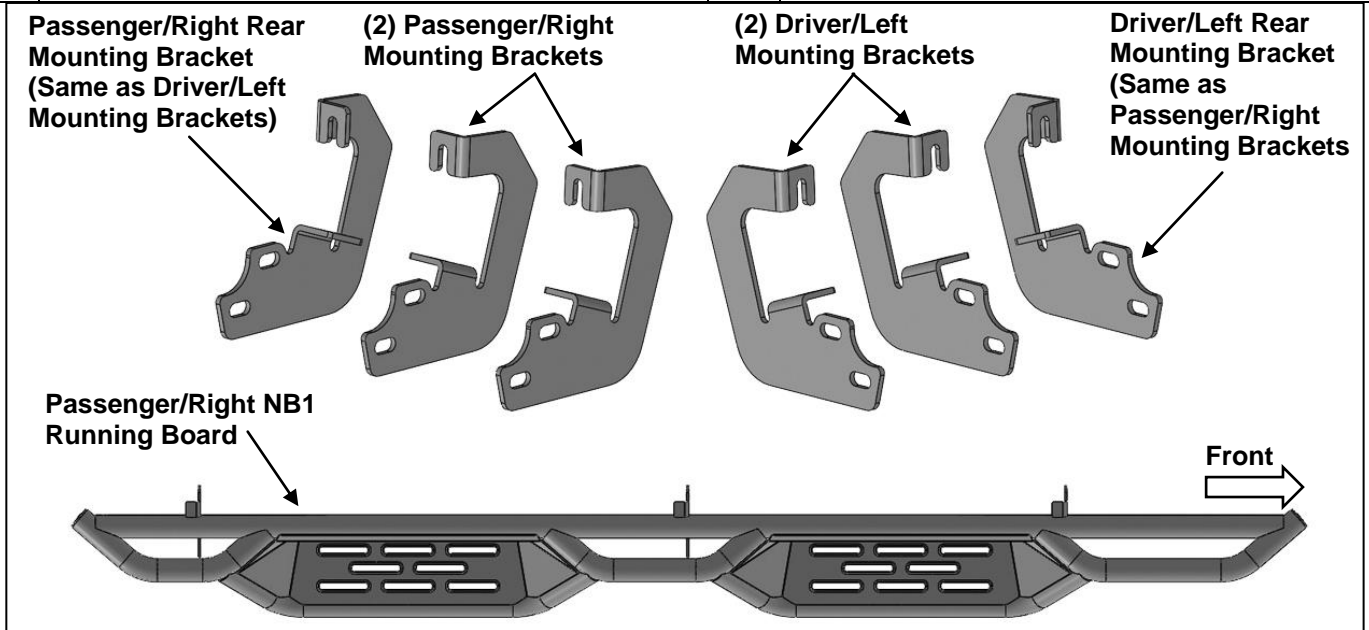


PARTS LIST:

1	Driver/Left NB1 Running Board	24	10mm x 27mm OD x 3mm Flat Washers
1	Passenger/Right NB1 Running Board	12	10-1.5mm Nylon Lock Nuts
3	Driver/Left Mounting Brackets	12	8-1.25mm x 25mm Hex Bolts
3	Passenger/Right Mounting Brackets	12	8mm Lock Washers
12	10-1.5mm x 35mm Hex Bolts	12	8mm x 24mm OD x 2mm Flat Washers



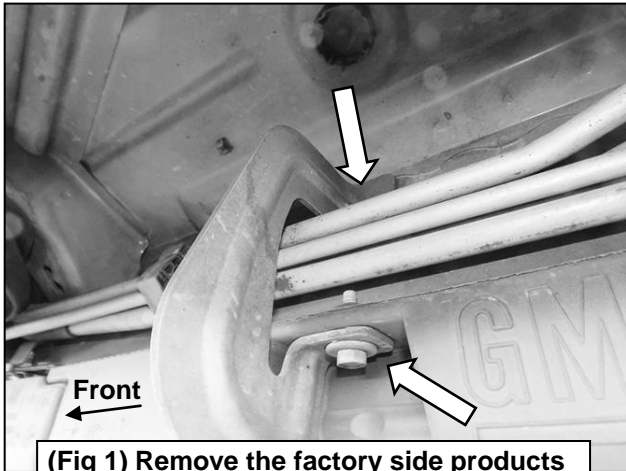
PROCEDURE:

REMOVE CONTENTS FROM BOX. VERIFY ALL PARTS ARE PRESENT. READ INSTRUCTIONS CAREFULLY BEFORE STARTING INSTALLATION. ASSISTANCE IS RECOMMENDED.

1. Start the installation under the Passenger/Right side of the vehicle. Remove previously installed side products from the side of the vehicle, **(Figure 1)**.
2. Locate the Passenger/Right front mounting location. Select (1) Passenger/Right Mounting Bracket. Determine the top mounting hole by lining up the Bracket to the bottom hole in the pinch weld. Attach the Bracket to the front mounting location with (2) 8mm Hex Bolts, (2) 8mm Lock Washers and (2) 8mm Flat Washers, **(Figures 2—4)**. Do not tighten hardware.
3. Repeat **Steps 1 & 2** to attach (1) Passenger/Right Mounting Brackets onto the center mounting location, **(Figures 5 & 6)**. Do not tighten hardware.
4. Repeat **Steps 1 & 2** to attach (1) Driver/Left Mounting Bracket to the Passenger/Right rear mounting location, **(Figures 7 & 8)**. Do not tighten hardware.
5. Select the Passenger/Right NB1 Running Board. Attach the Running Board to the front faces of the Mounting Brackets with (6) 10mm Hex Bolts, (12) 10mm Flat Washers and (6) 10mm Nylon Lock Nuts, **(Figures 9—12)**. Do not tighten hardware.
6. Level and adjust the NB1 Running Board and fully tighten all hardware.
7. Repeat **Steps 1—6** to attach the Driver/Left Running Board.
8. Do periodic inspections to the installation to make sure that all hardware is secure and tight.

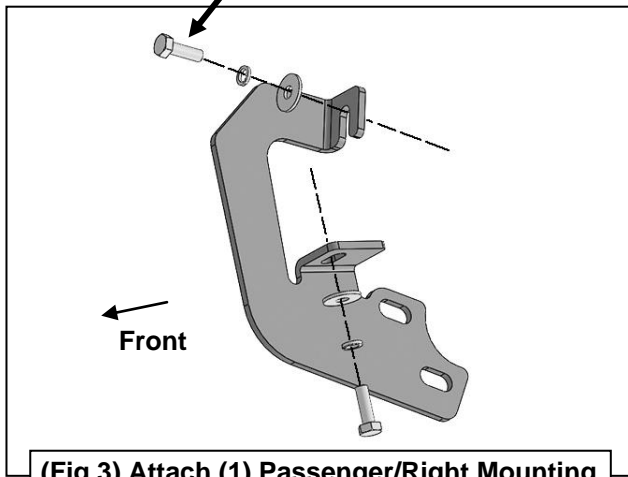
To protect your investment, Do not use any type of polish or wax that may contain abrasives that could damage the finish. Mild soap may be used also to clean the Running Board.

Passenger/Right side Installation Pictured

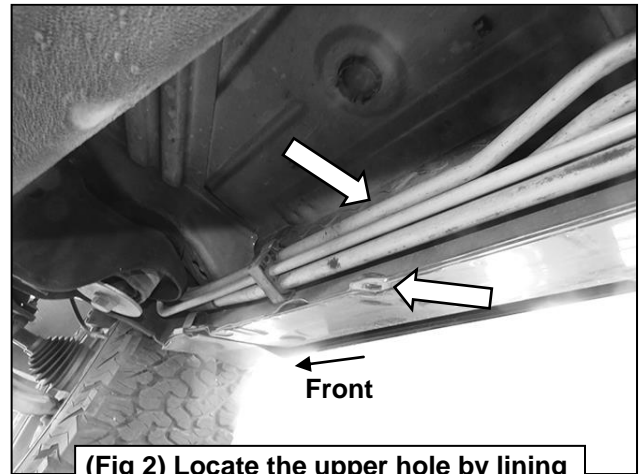


(Fig 1) Remove the factory side products before installing the NB1 Running Boards

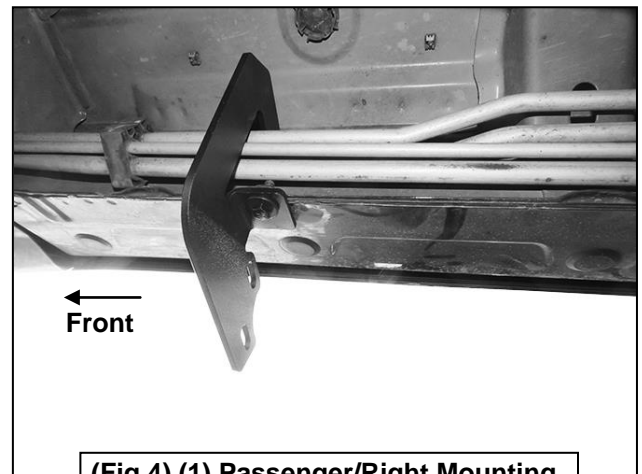
- (2) 8mm Hex Bolts
- (2) 8mm Lock Washers
- (2) 8mm Flat Washers



(Fig 3) Attach (1) Passenger/Right Mounting Bracket to the front mounting location

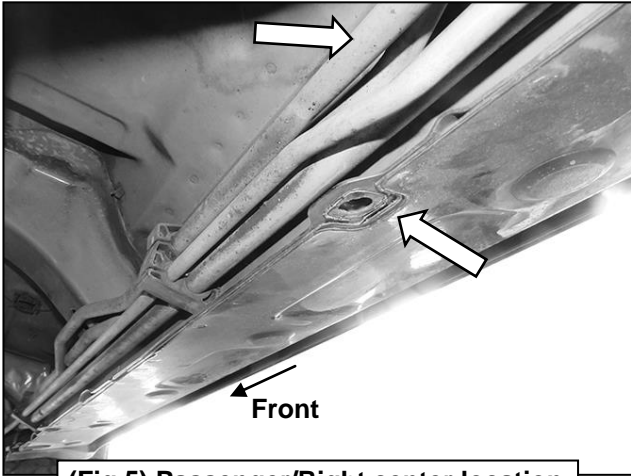


(Fig 2) Locate the upper hole by lining up (1) Passenger/Right Mounting Bracket to the hole in the pinch trim

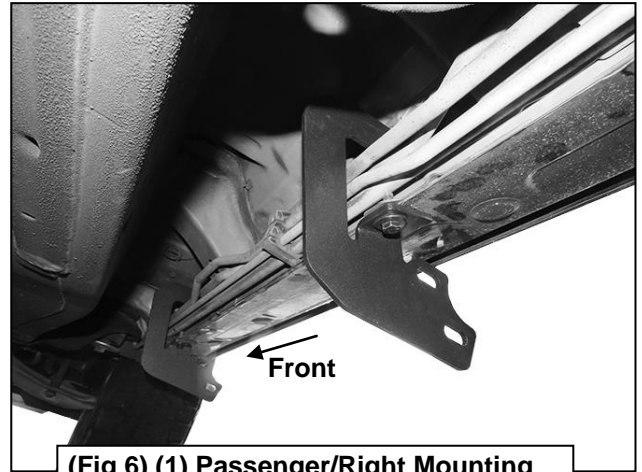


(Fig 4) (1) Passenger/Right Mounting Bracket attached to the front location

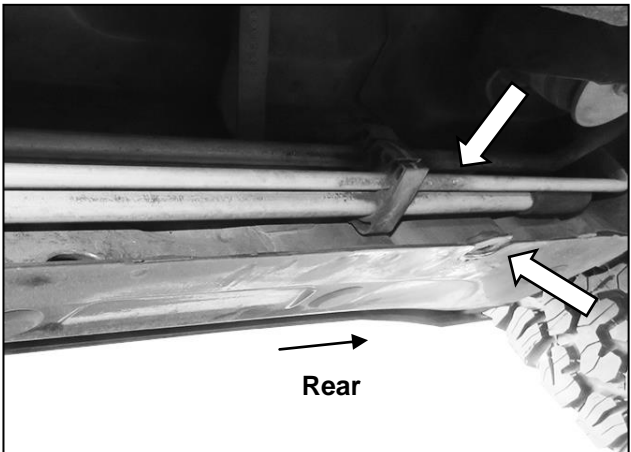
Passenger/Right side Installation Pictured



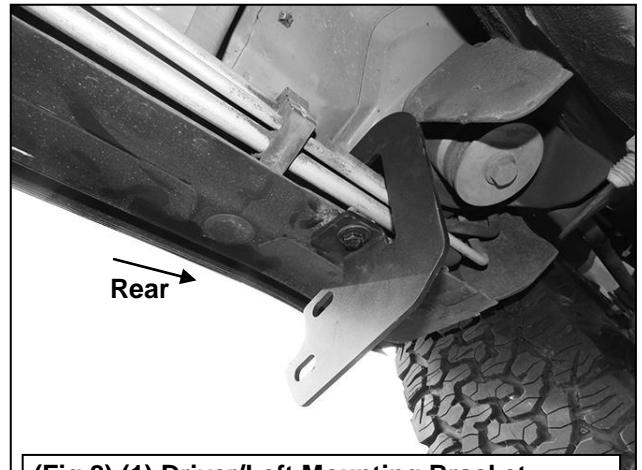
(Fig 5) Passenger/Right center location



(Fig 6) (1) Passenger/Right Mounting Bracket attached to the center location

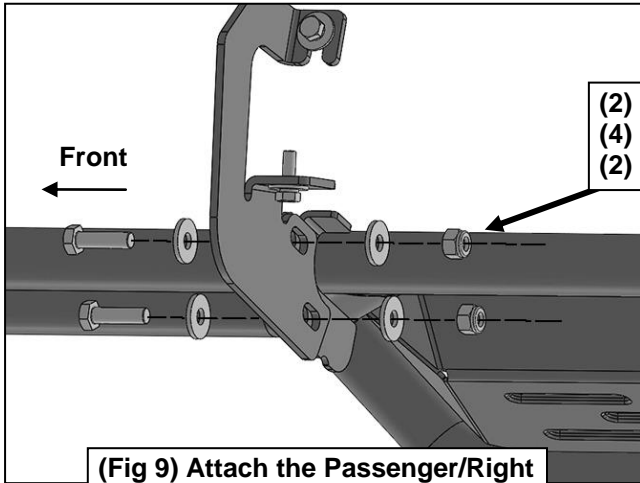


(Fig 7) Passenger/Right rear mounting location



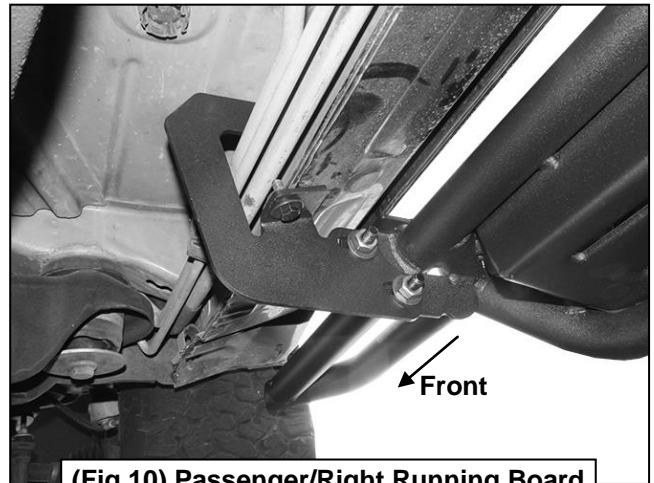
(Fig 8) (1) Driver/Left Mounting Bracket attached to the Passenger/Right rear location

Passenger/Right side Installation Pictured

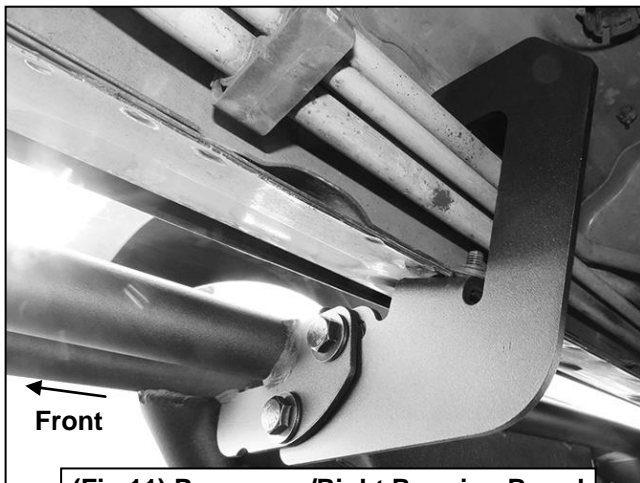


- (2) 10mm Hex Bolts
- (4) 10mm Flat Washers
- (2) 10mm Nylon Lock Nuts

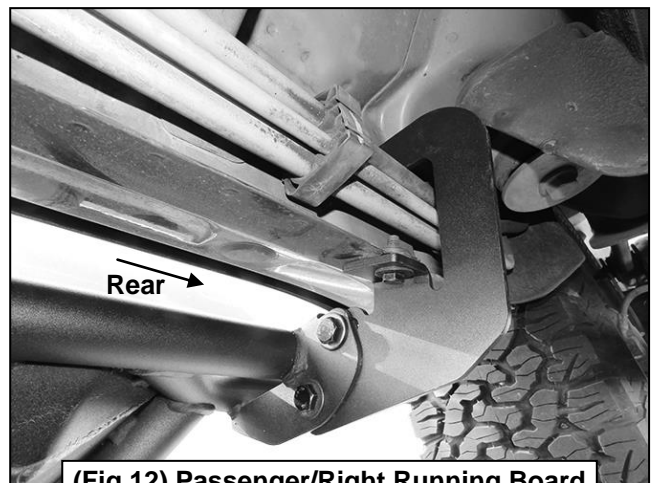
(Fig 9) Attach the Passenger/Right Running Board to the front faces of the Mounting Brackets



(Fig 10) Passenger/Right Running Board attached to the front Mounting Bracket



(Fig 11) Passenger/Right Running Board attached to the center Mounting Bracket



(Fig 12) Passenger/Right Running Board attached to the rear Mounting Bracket