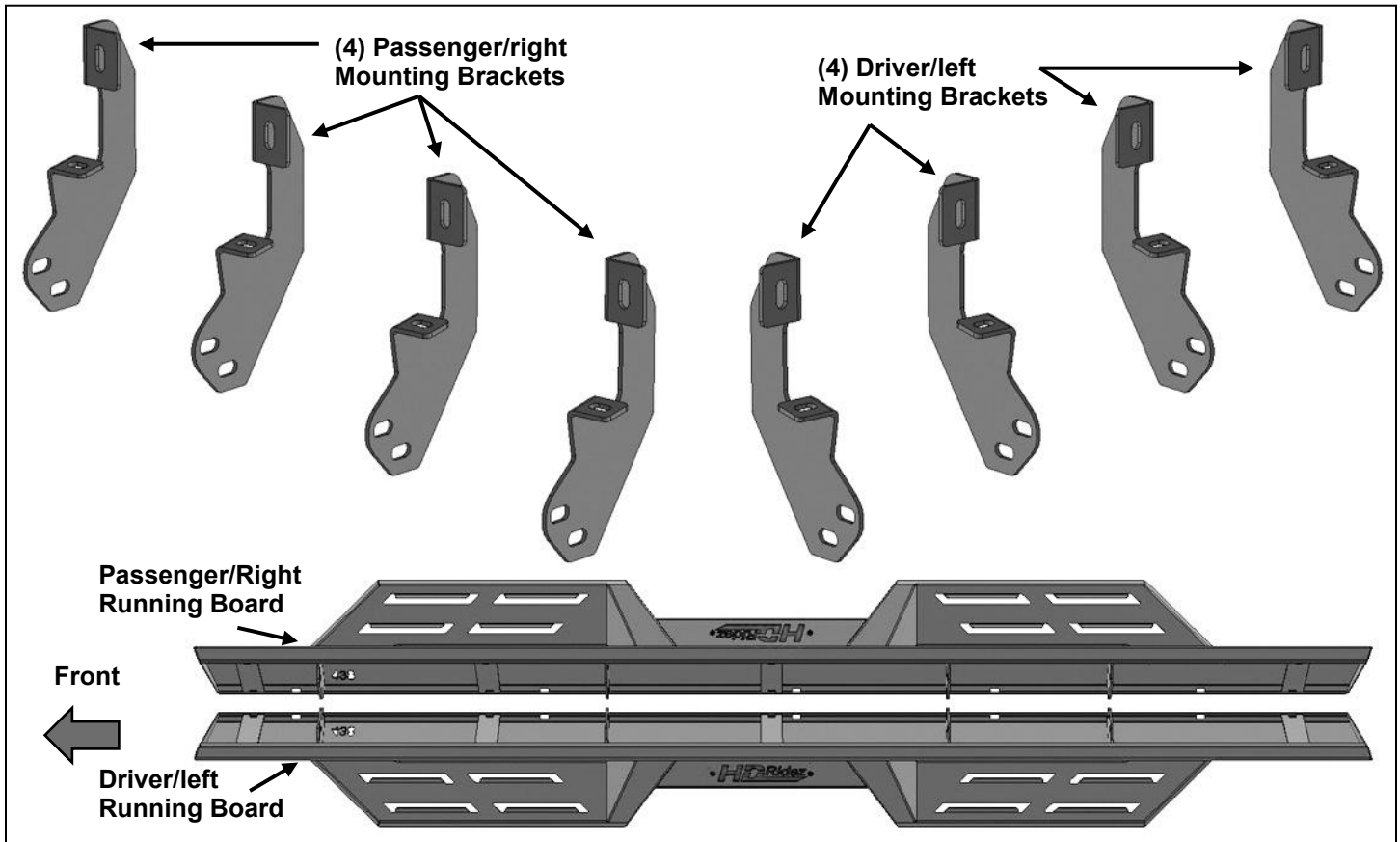


PARTS LIST:

1	Driver/Left Running Board	32	10mm x 20mm x 2mm Flat Washers
1	Passenger/Right Running Board	16	10mm Nylon Lock Nuts
4	Driver/Left Mounting Brackets	16	8-1.25mm x 30mm Hex Bolts
4	Passenger/Right Mounting Brackets	16	8mm x 24mm x 2mm Flat Washers
16	10-1.5mm x 30mm Hex Bolts	16	8mm Lock Washers



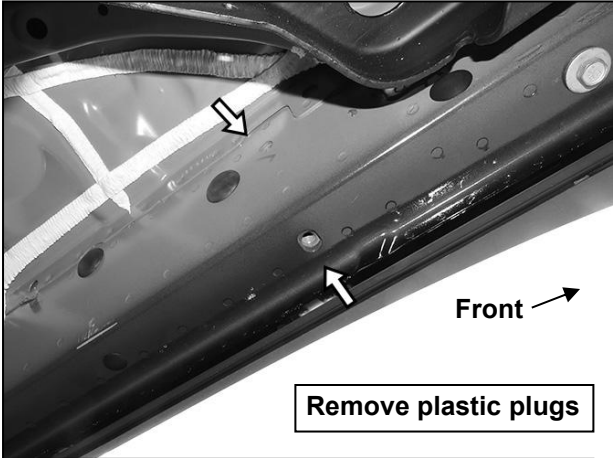
PROCEDURE:

- REMOVE CONTENTS FROM BOX. VERIFY ALL PARTS ARE PRESENT. READ INSTRUCTIONS CAREFULLY. USE ILLUSTRATION TO IDENTIFY BRACKETS AND RUNNING BOARDS. ASSISTANCE IS RECOMMENDED.**
- Starting on the driver/left front of the vehicle, locate the threaded holes in the floor and side of the body at the front location toward the front wheel opening, **(Figure 1)**. Remove the plastic plugs covering the threaded holes. Select (1) driver/left Mounting Bracket, **(Figure 2)**. Attach the Bracket to the vehicle with (2) 8mm x 30mm Hex Bolts, (2) 8mm Lock Washers and (2) 8mm Flat Washers, **(Figure 3)**. Do not fully tighten hardware.
- Move to the next mounting location, **(Figure 4)**. Repeat **Step 2** to attach (1) driver/left Mounting Bracket to the #2 mounting location, **(Figure 5)**. Do not fully tighten hardware.
- Continue to the #3 mounting location, **(Figure 6)**. Repeat **Step 2** to attach (1) driver/left Mounting Bracket to the #3 mounting location, **(Figure 7)**. Do not fully tighten hardware.
- Move to the last mounting location toward the rear wheel opening, **(Figure 6)**. Repeat **Step 2** to attach the remaining driver/left Mounting Bracket to the rear mounting location, **(Figure 8)**. Do not fully tighten hardware.
- Select the driver/left Running Board. Attach the Running Board to the back of the Mounting Brackets with the included (8) 10mm x 30mm Hex Bolts, (16) 10mm Flat Washers and (8) 10mm Nylon Lock Nuts, **(Figures 9—13)**. Do not tighten hardware at this time.
- Level and adjust the Running Board and fully tighten all hardware.
- Repeat **Steps 2—7** to attach the passenger/right Running Board.

9. Do periodic inspections to the installation to make sure that all hardware is secure and tight.

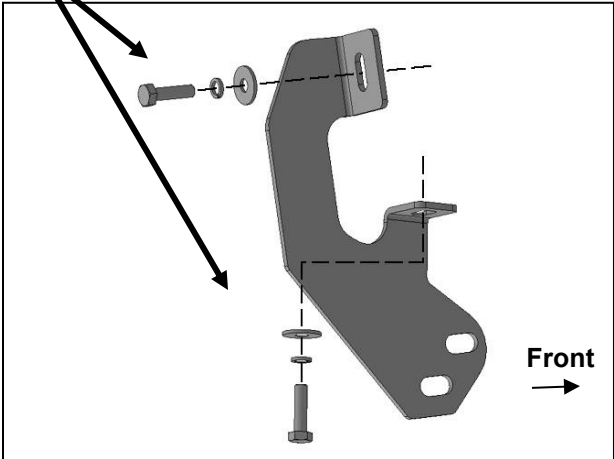
To protect your investment, Do not use any type of polish or wax that may contain abrasives that could damage the finish. Mild soap may be used to clean the Running Boards.

Driver/left Side Installation Pictured



(Fig 1) Driver/left front mounting location. Remove plugs to locate threaded holes

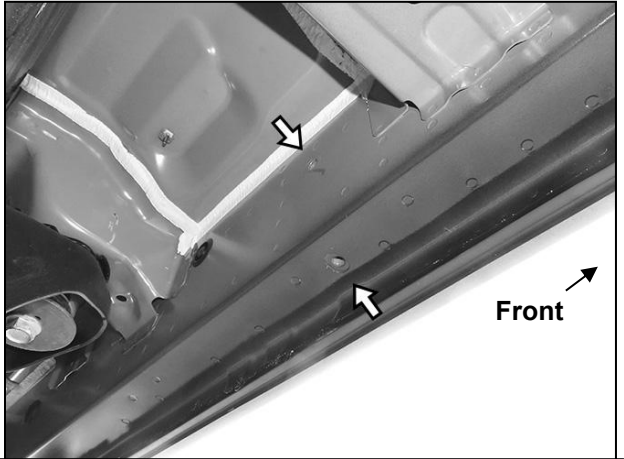
- (2) 8mm x 30mm Hex Bolts
- (2) 8mm Lock Washers
- (2) 8mm Flat Washers



(Fig 2) Attach (1) Mounting Bracket to the front mounting location



(Fig 3) Driver/left front Mounting Bracket installed

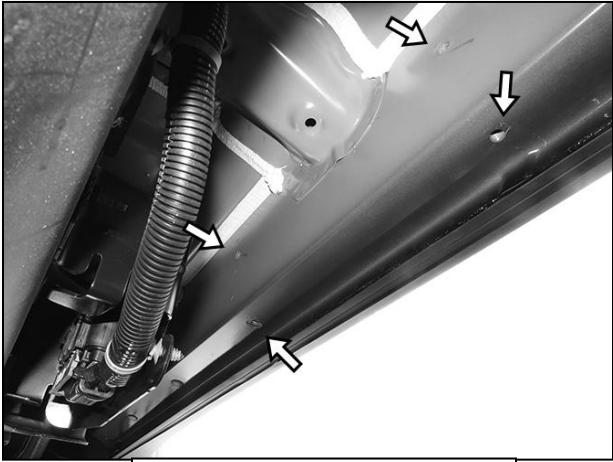


(Fig 4) Driver/left #2 mounting location (arrows)

Driver/left Side Installation Pictured



(Fig 5) Driver/left #2 Mounting Bracket installed



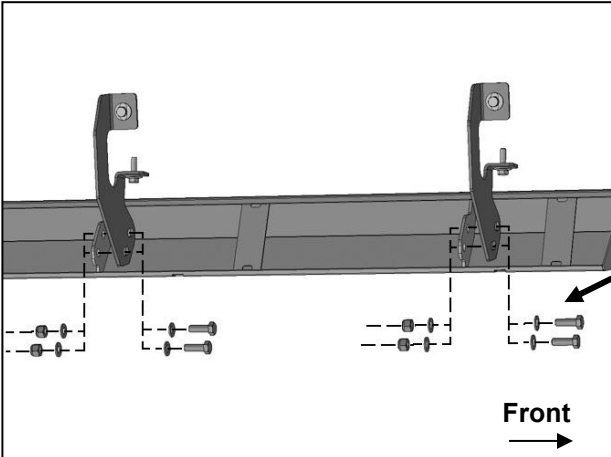
(Fig 6) Driver/left #3 and rear mounting locations (arrows)



(Fig 7) Driver/left #3 Mounting Bracket installed



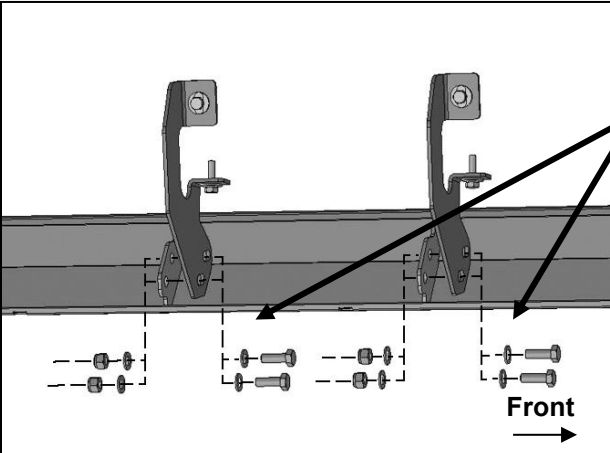
(Fig 8) Driver/left rear Mounting Bracket installed



- (2) 10mm x 30mm Hex Bolts
- (4) 10mm Flat Washers
- (2) 10mm Nylon Lock Nuts

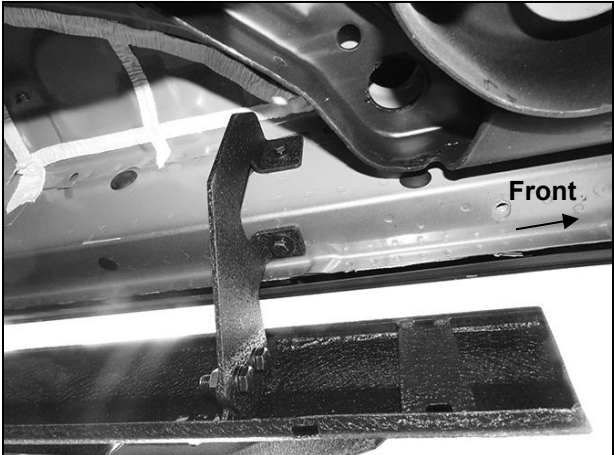
(Fig 9) Attach the driver/left Running Board to the front and #2 Mounting Brackets

Driver/left Side Installation Pictured

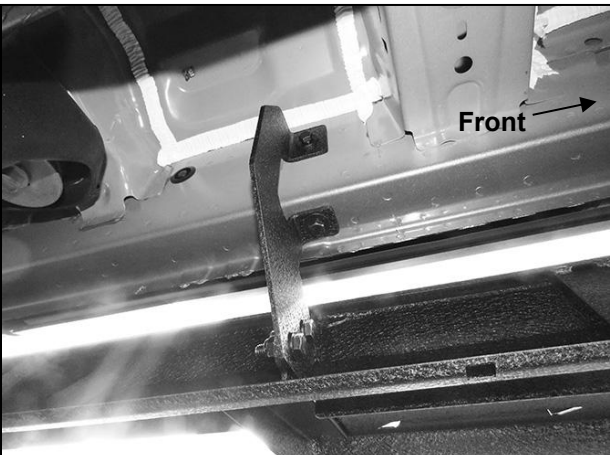


- (2) 10mm x 30mm Hex Bolts
- (4) 10mm Flat Washers
- (2) 10mm Nylon Lock Nuts

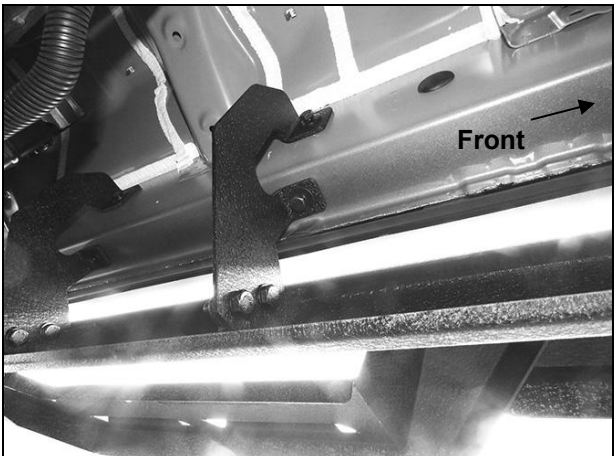
(Fig 10) Attach the driver/left Running Board to the #3 and rear Mounting Brackets



(Fig 11) Driver/left front complete installation



(Fig 12) Driver/left #2 complete installation



(Fig 13) Driver/left #3 and rear complete installation



Complete Installation