

INSTALLATION INSTRUCTIONS

PARTS LIST:

Qty	Item Description	Qty	Item Description
1	Driver/Left Side Running Board	12	8mm-1.25 x 30mm Hex Bolts
1	Passenger/Right Side Running Board	12	8mm x 24mm x 2mm Flat Washers
6	Universal Mounting Bracket	12	8mm Clip Nuts
12	8-1.25mm Combo Bolts	12	8mm Lock Washers

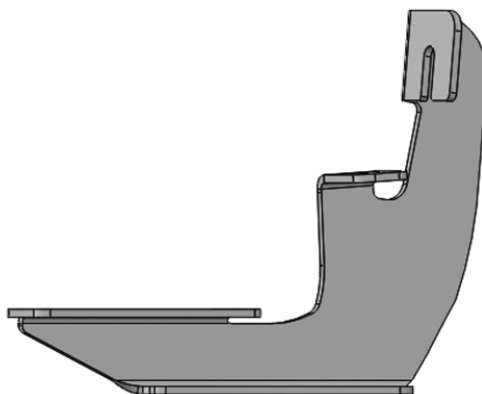


Driver/Left Running Board

Front →



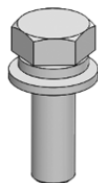
Passenger/Right Running Board



Universal Mounting Bracket



Hex Bolt



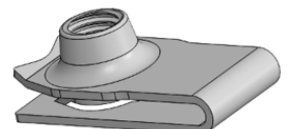
Combo Bolt



Lock Washer



Flat Washer

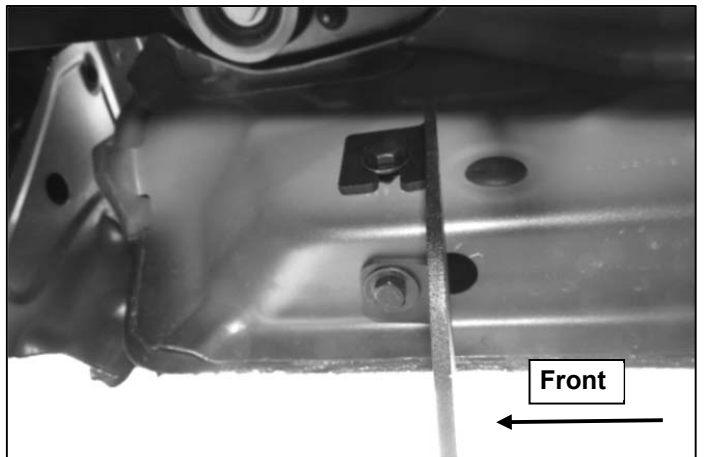
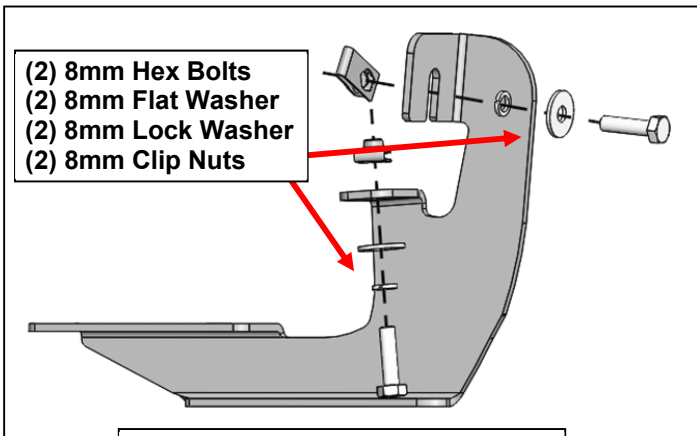
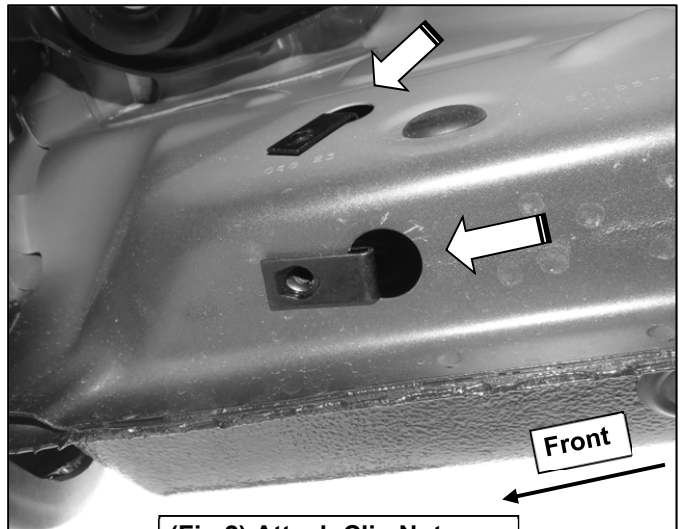
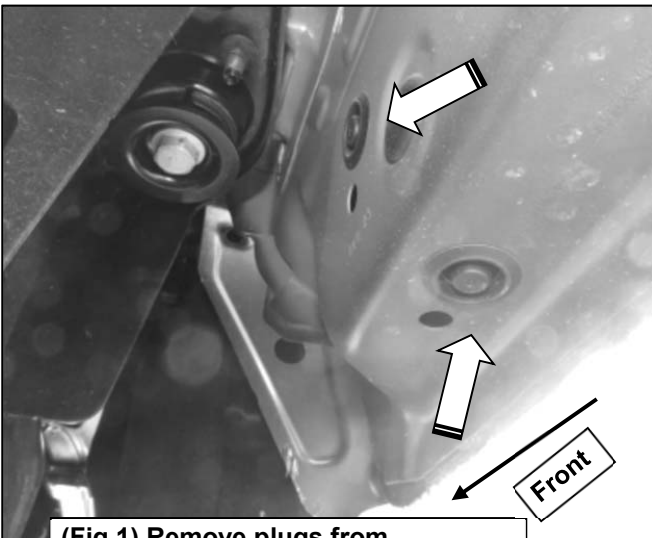


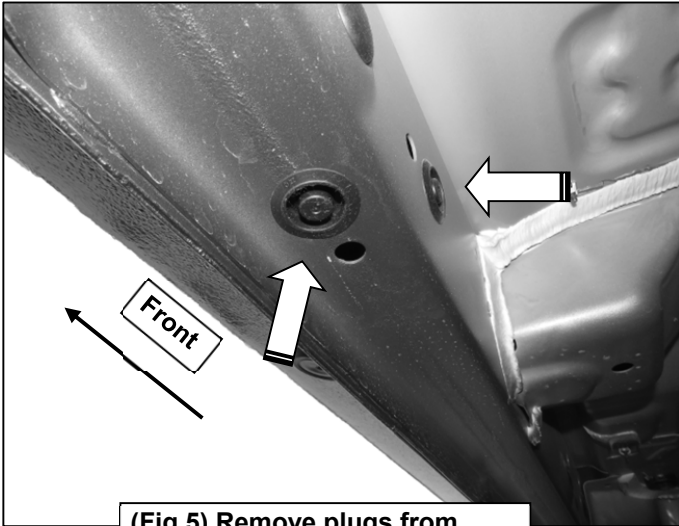
Clip Nut

TOOLS REQUIRED

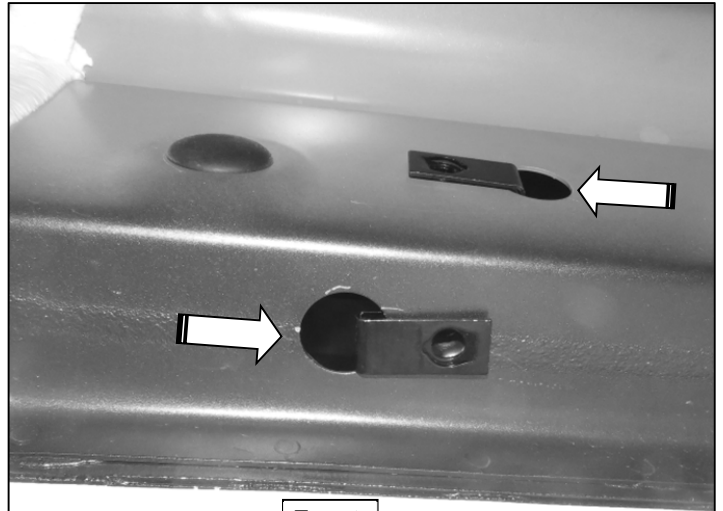


1 Follow (Fig 1 – 12) to attach the brackets to the Passenger/Right Side starting at Front. Repeat the following steps on the Driver/Left Side.

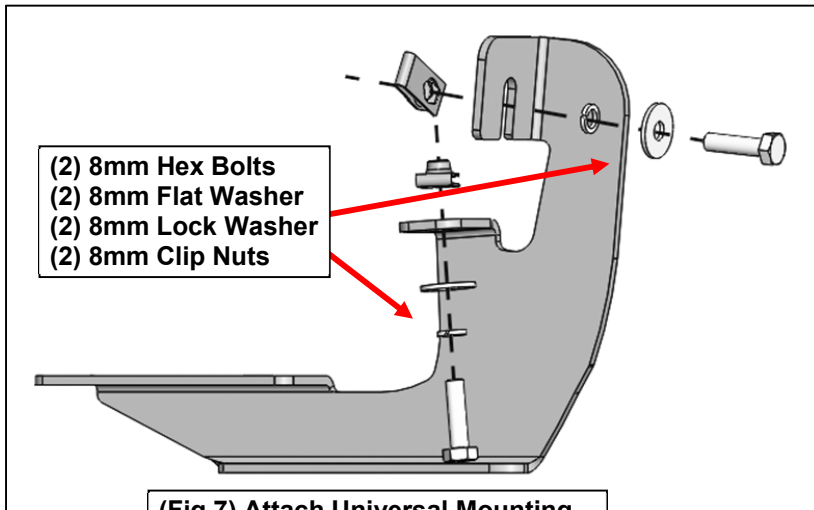




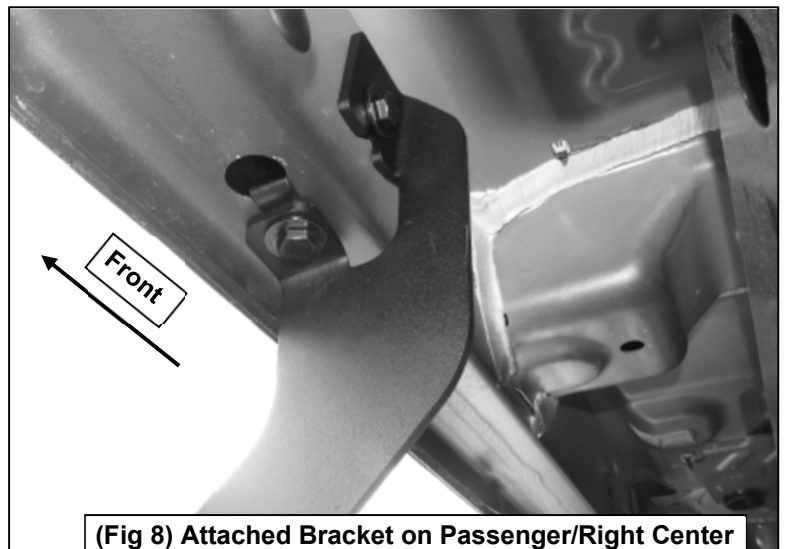
(Fig 5) Remove plugs from Passenger/Right Center Rocker



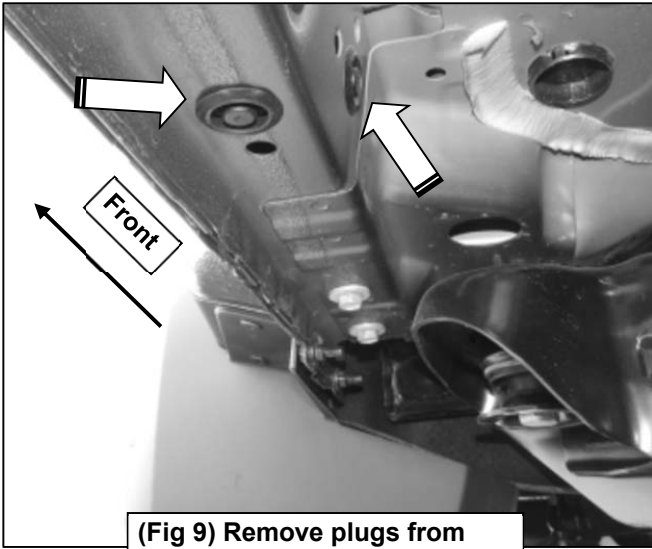
(Fig 6) Attach Clip Nuts into Passenger/Right Center



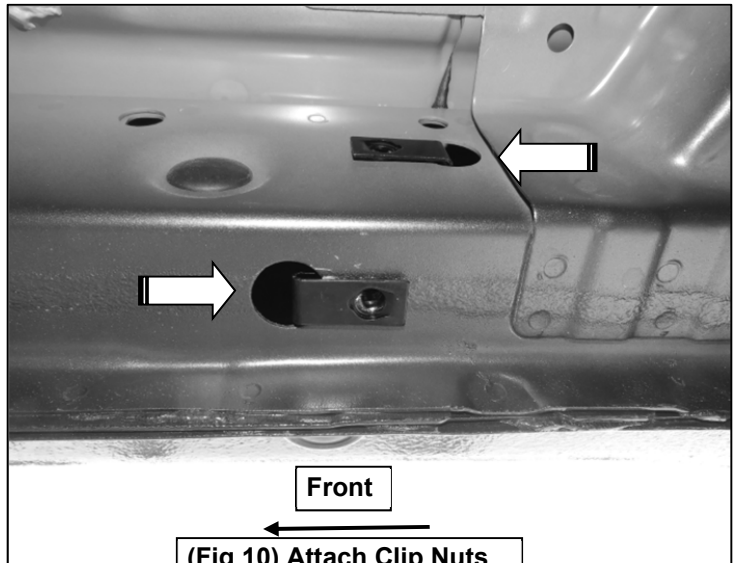
(Fig 7) Attach Universal Mounting Bracket on Passenger/Right Center



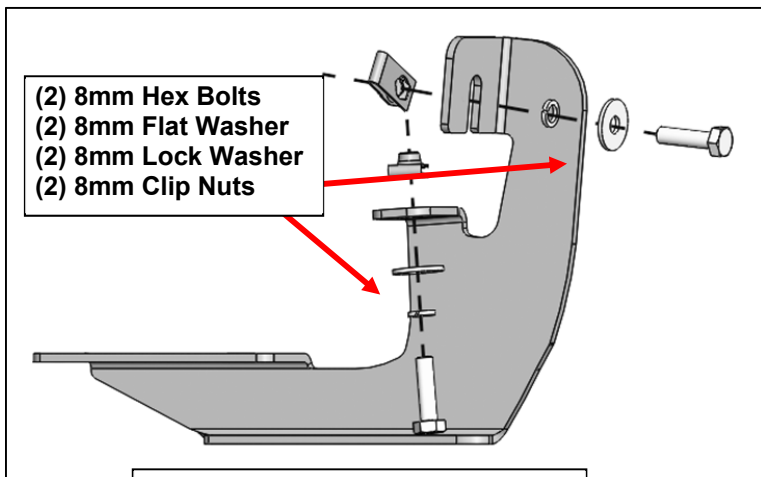
(Fig 8) Attached Bracket on Passenger/Right Center



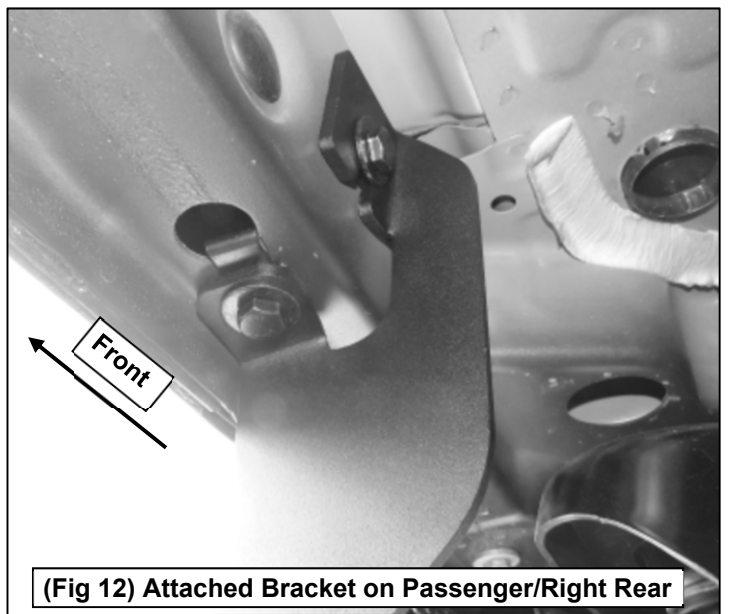
(Fig 9) Remove plugs from Passenger/Right Rear Rocker



(Fig 10) Attach Clip Nuts into Passenger/Right Rear

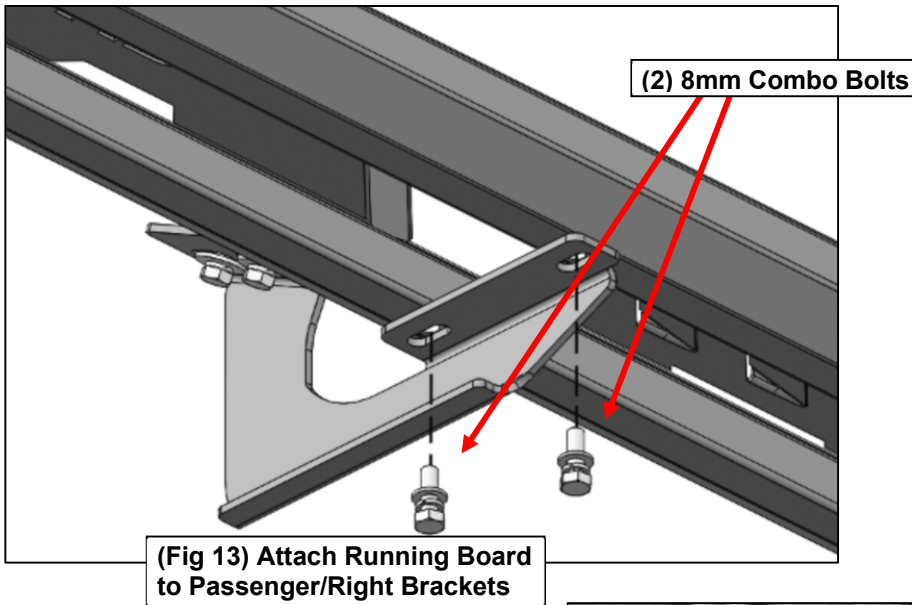


(Fig 11) Attach Universal Mounting Bracket on Passenger/Right Rear



(Fig 12) Attached Bracket on Passenger/Right Rear

- 2** Follow (Fig 13-14) to install the running board to the Passenger/Right side. Repeat the following steps on the Driver/Left Side.



- 3** Installation is complete. Do periodic inspections to the installation to make sure that all hardware is secure and tight.

