



iBoard® by APS

PART#: IB-278C&H

READ INSTRUCTIONS CAREFULLY BEFORE STARTING INSTALLATION. REMOVE CONTENTS FROM BOX AND VERIFY ALL PARTS ARE PRESENT. ASSISTANCE IS RECOMMENDED.

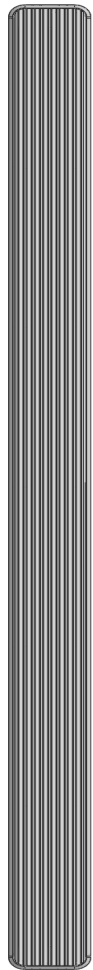
*ROCKER PANEL MOUNT

*NO DRILLING/CUTTING REQUIRED

Fastener Size	Tightening Torque (ft-lbs)	Required
6mm	6-7	√
8mm	16-18	√
10mm	31-32	√
12mm	56-58	X
14mm	92-94	X

PART LIST

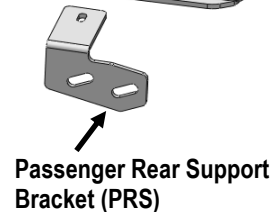
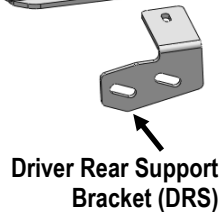
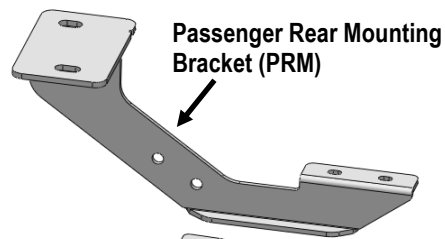
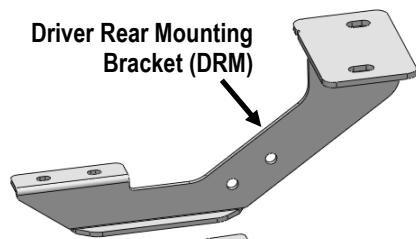
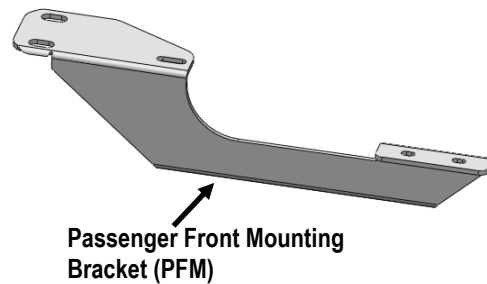
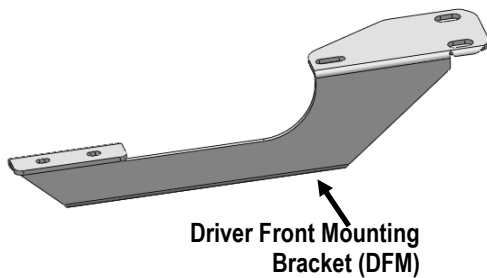
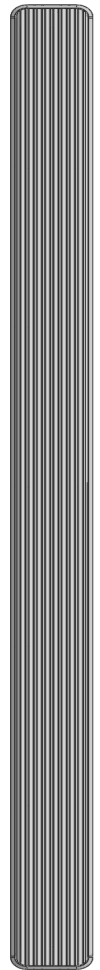
Driver Side Step Bar



Front



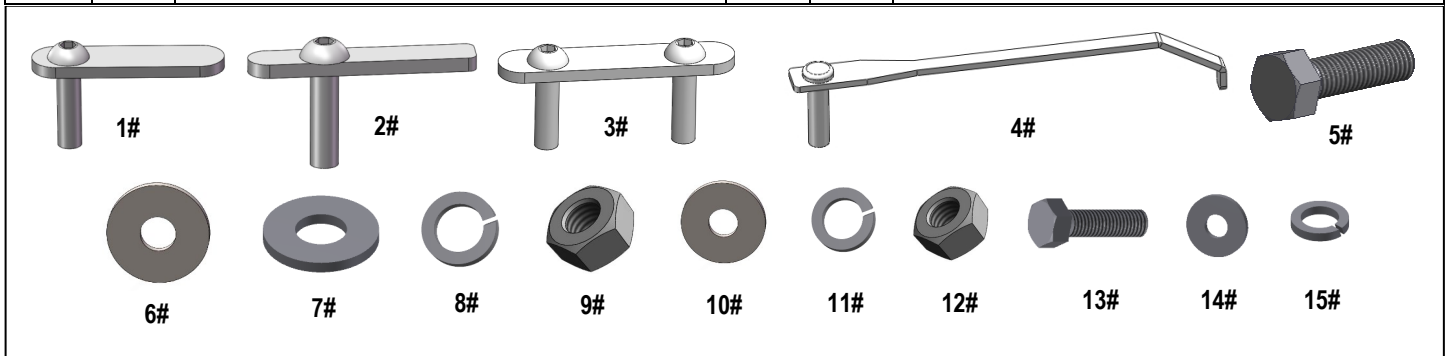
Passenger Side Step Bar





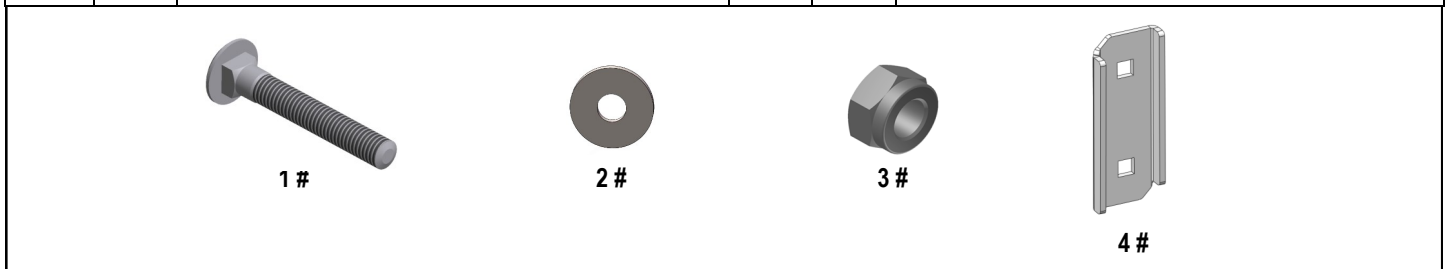
Hardware Package A (For Bracket Installation)

Item	QTY	Description	Item	QTY	Description
1#	2	M10X40 Bolt Plates	9#	12	M10 Hex Nuts
2#	2	M10X40 T-Bolt Plates	10#	2	M8 Large Flat Washers
3#	2	M10X40 Double Bolt Plates	11#	2	M8 Lock Washers
4#	2	M8X30 Bolt Plates	12#	2	M8 Hex Nuts
5#	4	M10X1.5-30 Hex Bolts	13#	2	M6X1-25mm Hex Bolts
6#	8	M10 Large Flat Washers	14#	2	M6 Large Flat Washers
7#	8	M10 Flat Washers	15#	2	M6 Lock Washers
8#	12	M10 Lock Washers			



Hardware Package B (For Stainless Steel Step Bar Installation)

Item	QTY	Description	Item	QTY	Description
1#	8	M8X1.25-35mm Carriage Bolts	3#	8	M8 Nylon Lock Nuts
2#	8	M8 Large Flat Washers	4#	4	Sliders (Packed with Step Bars)



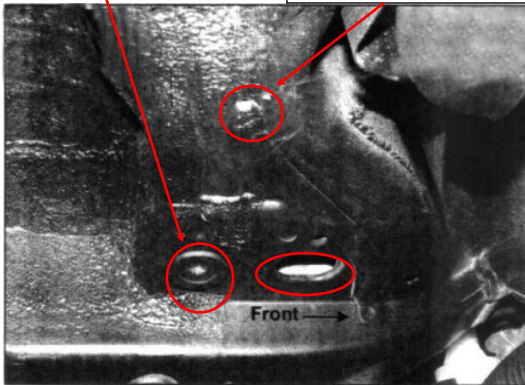


STEP 1

Starting on the Passenger side front mounting location of the vehicle. Locate one oval hole, one round hole and one smaller 8mm round hole. Remove any rubber plugs and factory sealant covering the holes, (**Fig 1**).

Remove the rubber plug

Use a small screw driver to remove the sealant from the 8mm hole

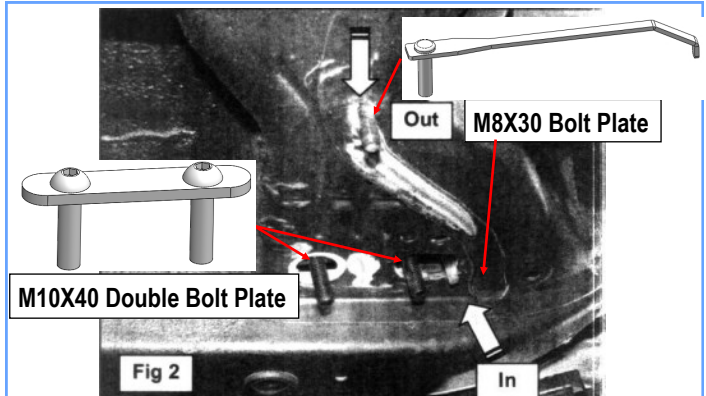


(Fig 1) Passenger Side Front Mounting Location

STEP 2

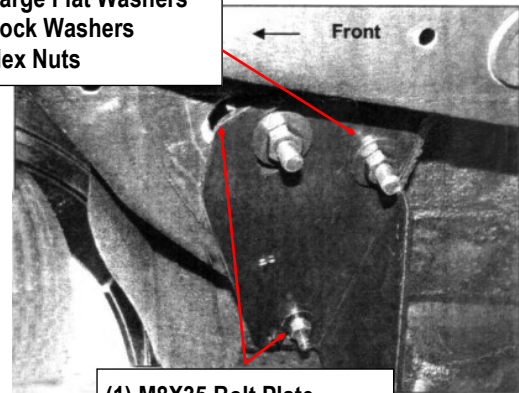
Insert (1) M8X30 Bolt Plate into the smaller 8mm round hole through the oval hole. Insert (1) M10X40 Double Bolt Plate into the oval hole and out of the remaining round hole, (**Fig 2**).

Attach the Passenger Front Mounting Bracket (**PFM**) to the installed M8X30 Bolt Plate with (1) M8 Large Flat Washer, (1) M8 Lock Washer and (1) M8 Hex Nut. Secure **PFM** to the installed M10X40 Double Bolt Plate with (2) M10 Large Flat Washers, (2) M10 Lock Washers and (2) M10 Hex Nuts, (**Fig 3**). Do not fully tighten at this time.



(Fig 2) Bolt Plates Installation
(Passenger Side Front Mounting Location)

- (1) M10X40 Double Bolt Plate
- (2) M10 Large Flat Washers
- (2) M10 Lock Washers
- (2) M10 Hex Nuts

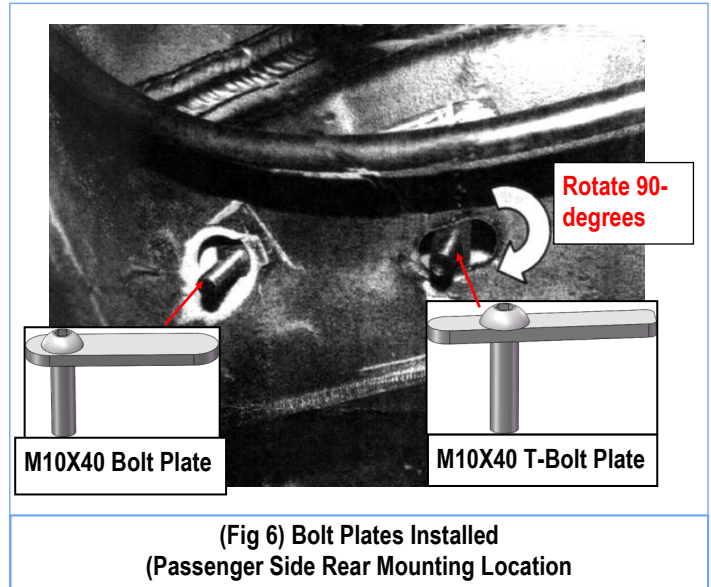
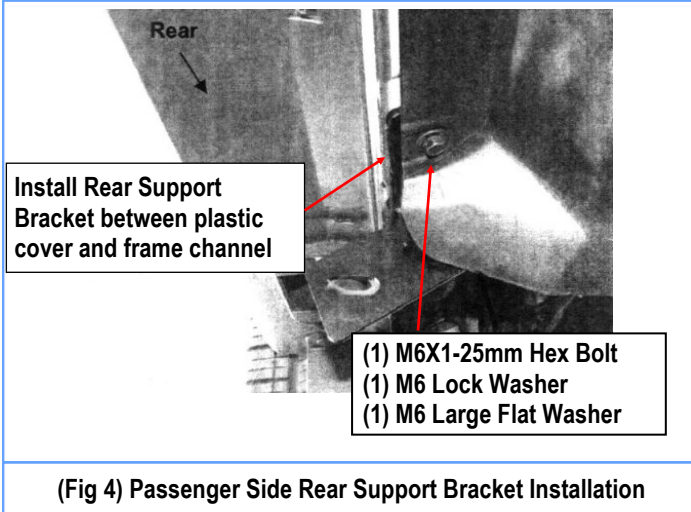


- (1) M8X35 Bolt Plate
- (1) M8 Large Flat Washer
- (1) M8 Lock Washer
- (1) M8 Hex Nut

(Fig 3) Passenger Front Mounting Bracket Installed

STEP 3

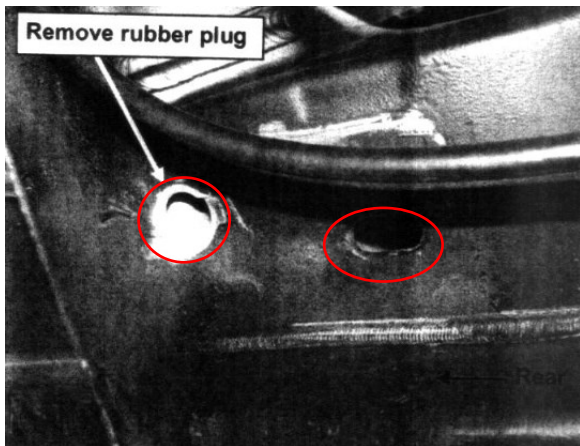
Move to the Passenger Side Rear Support Bracket (**PRS**) Mounting Location. Remove the factory 6mm hex bolt securing the plastic cover to the floor channel. Hold the **PRS** Bracket up to the threaded hole in the floor channel. Insert (1) M6X1-25mm Hex Bolt, (1) M6 Lock Washer, (1) M6 Large Flat Washer through the plastic cover and the Support Bracket into the floor channel, (**Fig 4**). Do not fully tighten at this time.



STEP 4

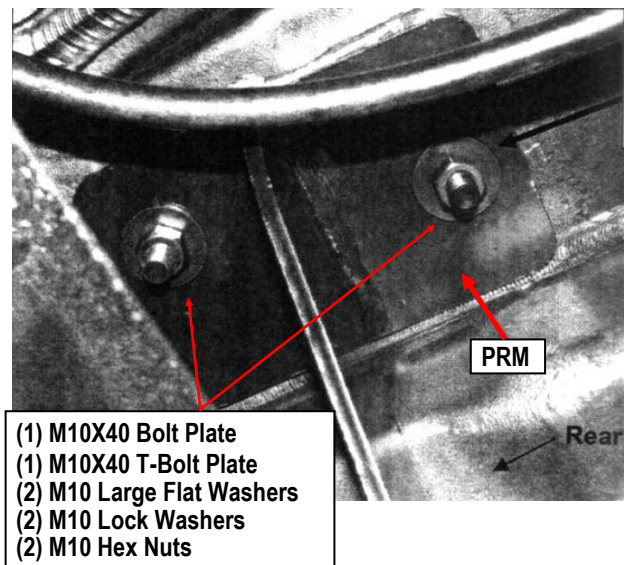
Locate the round and oval holes in the floor panel (Fig 5). If equipped, remove the rubber plug from the round hole. Insert (1) M10X40 Bolt Plate into the round hole and insert (1) M10X40 T-Bolt Plate into the oval hole, (Fig 6).

IMPORTANT: Rotate the M10X40 T-Bolt Plate to 90° across on the oval hole.



STEP 5

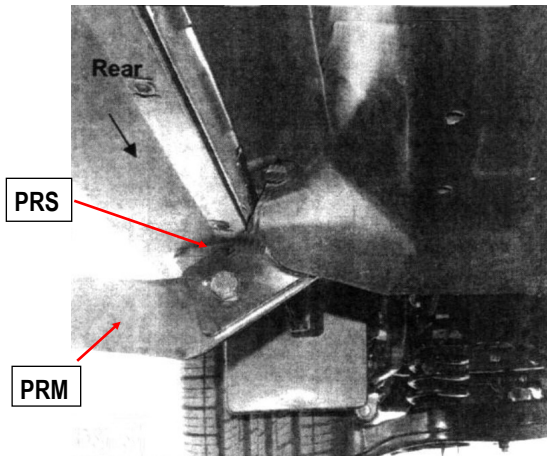
Attach the Passenger Rear Mounting Bracket to the installed (2) Bolt Plates with (2) M10 Large Flat Washers, (2) M10 Lock Washers, (2) M10 Hex Nuts, (Figs 7 & 9). Do not fully tighten at this time.



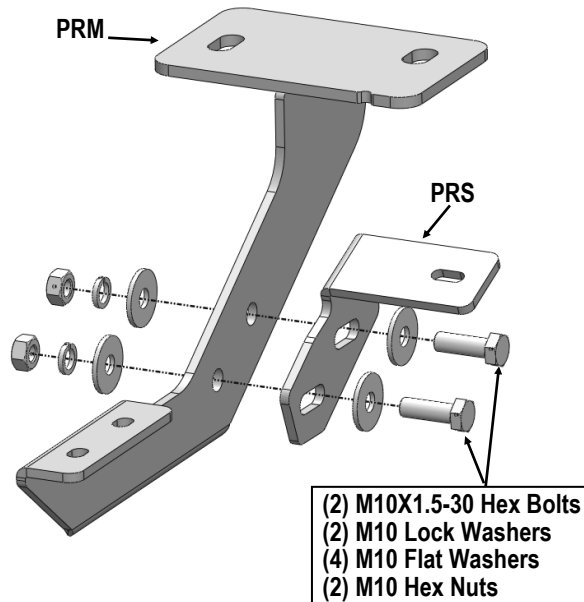


STEP 6

Attach the Passenger Rear Support Bracket (PRS) to the (2) holes on the Passenger Rear Mounting Bracket (PRM) with (2) M10X1.5-30mm Hex Bolts, (4) M10 Flat Washers, (2) M10 Lock Washers and (2) M10 Hex Nuts, (Figs 8 & 9). Do not fully tighten at this time.



(Fig 8) PRS & PRM Installed



(Fig 9) Passenger Side Rear Brackets Assembly

STEP 7

Once all (2) Passenger side mounting brackets are installed, then proceed to the Step Bar installation. (Figs 10 & 11)

- (1) Select (1) Slider and (2) M8X1.25-35mm Carriage Bolts;
- (2) Install (2) M8X1.25-35mm Carriage Bolts in (1) Slider.
- (3) Slide the Slider (with carriage bolts) to the **Step Bar**.
- (4) Repeat to install the other (1) slider to the step bar.
- (5) Attach the Step Bar (with the Sliders) onto the installed mounting brackets. Position the Sliders to the installed brackets. Secure the Step Bar to the installed Brackets by using (4) M8 Large Flat Washers and (4) M8 Nylon Lock Nuts and (2) Sliders, (Fig 11). Do not fully tighten hardware at this time.

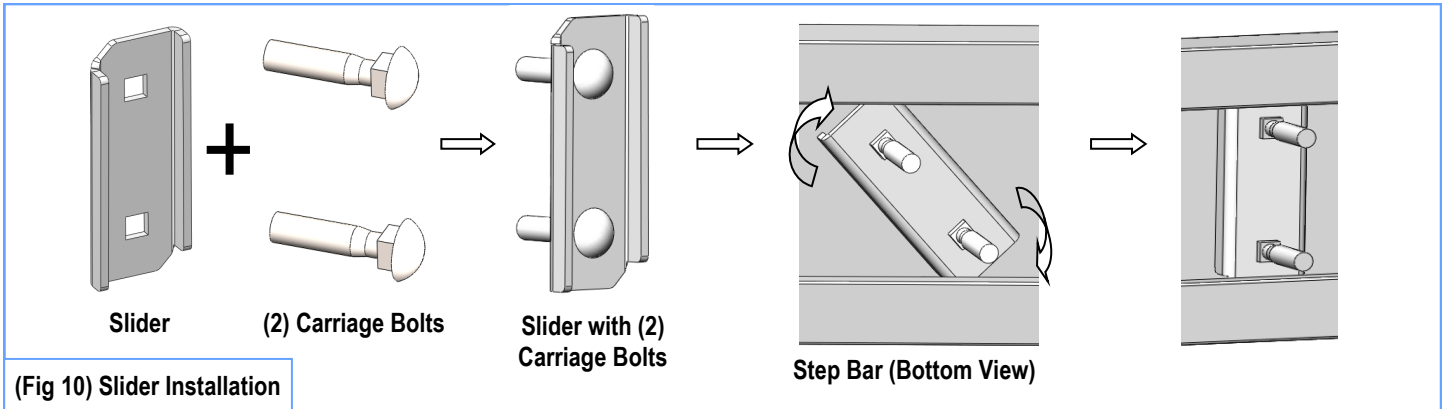
Note: The Sliders are packed with the Step Bars.

Level and adjust the Step Bar and fully tighten all hardware. Repeat **Steps 1-7** for the other side Step Bar installation. **The installation is completed!!!**

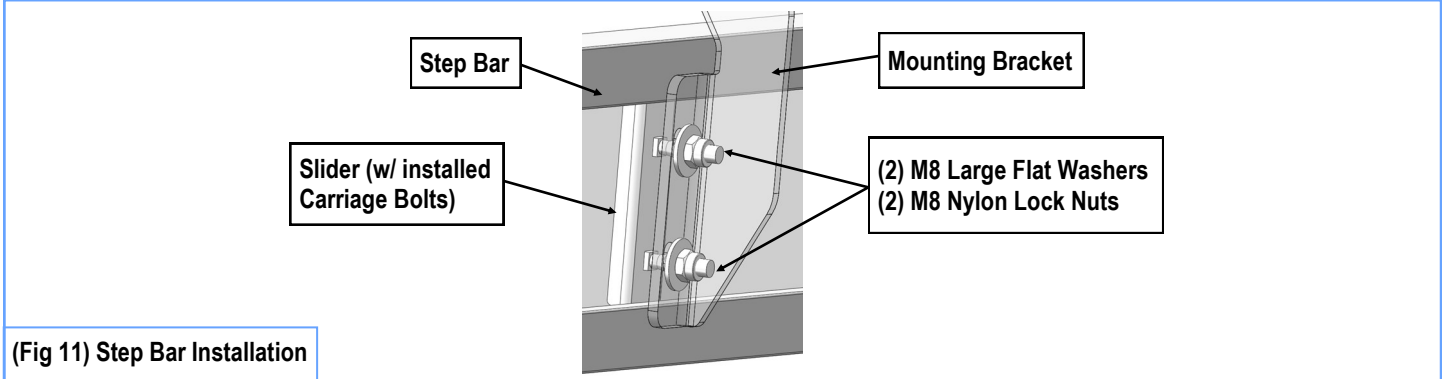
Attention

Do periodic inspections to the installation to make sure that all hardware is secure and tight.

In order to protect your bars/boards, please use mild soap/non-abrasive products for cleaning only.



(Fig 10) Slider Installation



(Fig 11) Step Bar Installation