

iBoard®



Scan for
Installation Video

iBoard® by APS

PART#: IB-097[L,S] C&H

READ INSTRUCTIONS CAREFULLY BEFORE STARTING INSTALLATION. REMOVE CONTENTS FROM BOX AND VERIFY ALL PARTS ARE PRESENT. ASSISTANCE IS RECOMMENDED.

*ROCKER PANEL MOUNT
*NO DRILLING REQUIRED

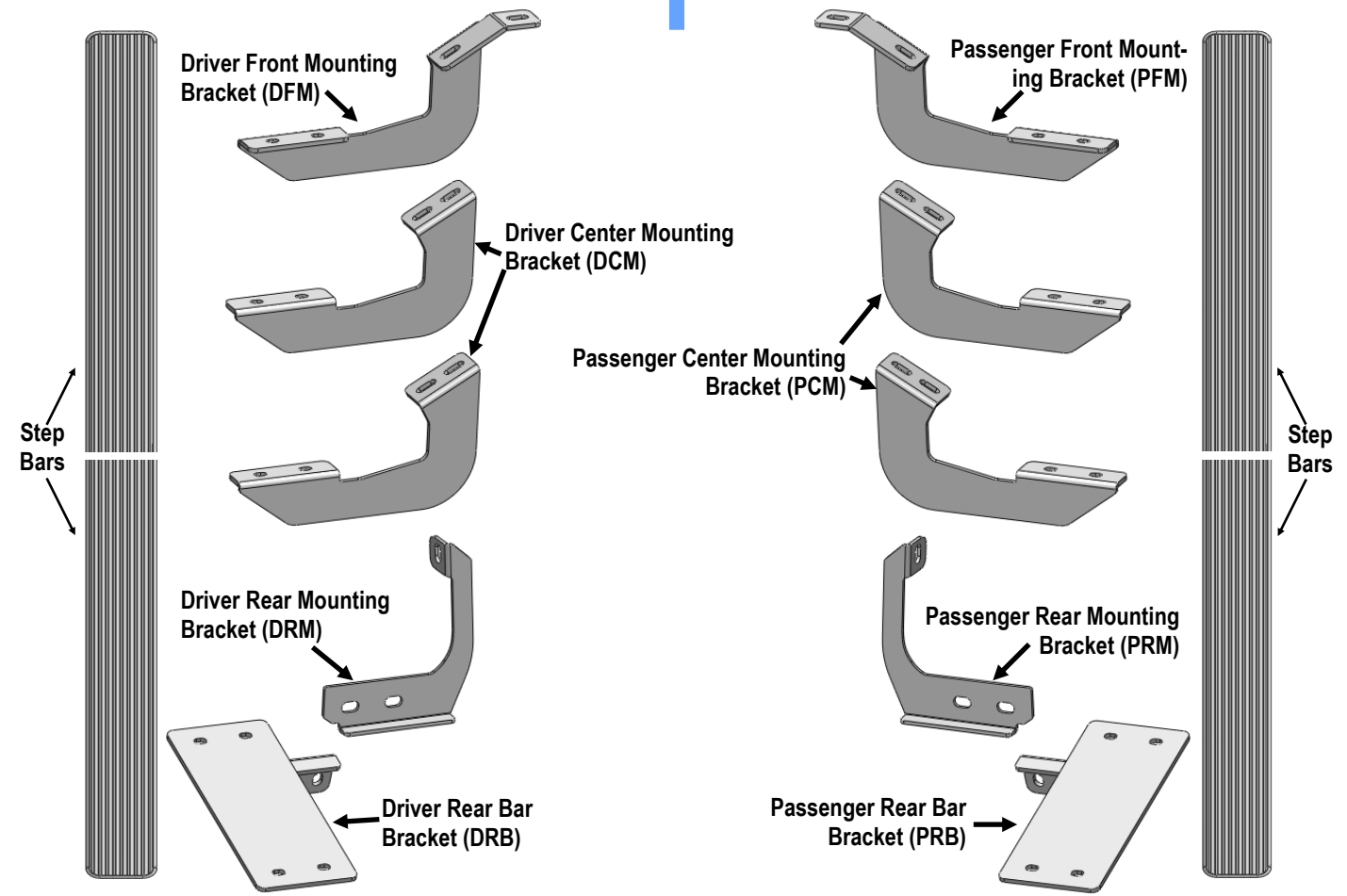
Fastener Size	Tightening Torque (ft-lbs)	Required
6mm	6-7	X
8mm	16-18	√
10mm	31-32	√
12mm	56-58	X
14mm	92-94	X

PART LIST

Driver Side Step Bar

Front

Passenger Side Step Bar

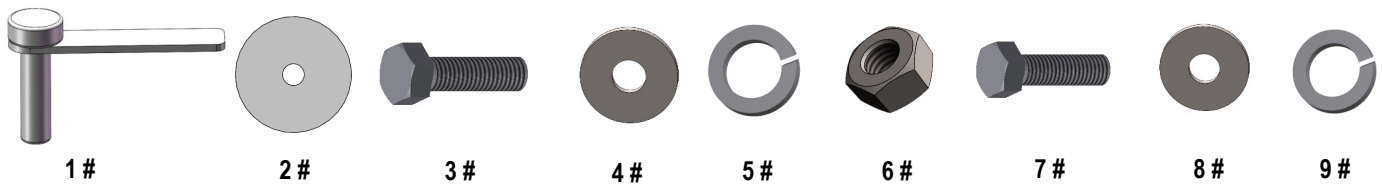


Customer Support: info@iboardauto.com



Hardware Package A (For Bracket Installation)

Item	QTY	Description	Item	QTY	Description
1#	2	M10X35 Bolt Plates	6#	6	M10 Hex Nuts
2#	2	M10 Plastic Washers	7#	12	M8X1.25-30mm Hex Bolts
3#	4	M10X1.5-30mm Hex Bolts	8#	12	M8 Flat Washers
4#	10	M10 Flat Washers	9#	12	M8 Lock Washers
5#	6	M10 Lock Washers			



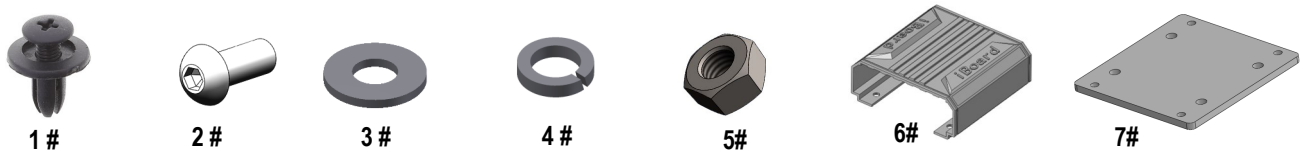
Hardware Package B (For Stainless Steel Step Bar Installation)

Item	QTY	Description	Item	QTY	Description
1#	20	M8X1.25-35mm Carriage Bolts	3#	20	M8 Nylon Lock Nuts
2#	20	M8 Large Flat Washers	4#	10	Sliders (Packed with Step Bars)



Hardware Package C (For Stainless Steel Step Bar Assembly)

Item	QTY	Description	Item	QTY	Description
1#	8	Plastic Rivets	5#	4	M8 Hex Nuts
2#	12	M8X1.25-25mm Inner Hex Bolts	6#	2	Plastic Covers (Packed with Step Bars)
3#	16	M8 Flat Washers	7#	2	Back Plates (Packed with Step Bars)
4#	12	M8 Lock Washers			

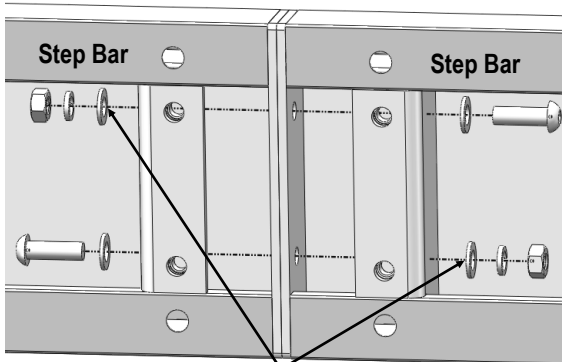




STEP 1

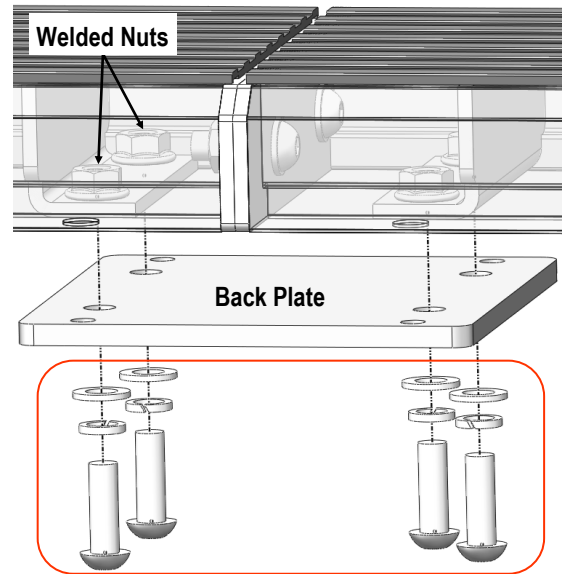
Step Bar Assembly:

1. Select and assemble (2) Step Bars with (2) M8X1.25-25mm Inner Hex Bolts, (4) M8 Flat Washers, (2) M8 Lock Washers and (2) M8 Hex Nuts, (**Fig 1**). **NOTE: (4) Step Bars are universal.**
2. Attach (1) Back Plate to the bottom of the installed (2) Step Bars with (4) M8X1.25-25mm Inner Hex Bolts, (4) M8 Flat Washers, (4) M8 Lock Washers, (**Fig 2**).
3. Install (1) Plastic Cover to cover the joint of (2) Step bars with (4) Plastic Rivets, (**Fig 3**).
4. Repeat to assemble the other (2) Step Bars.



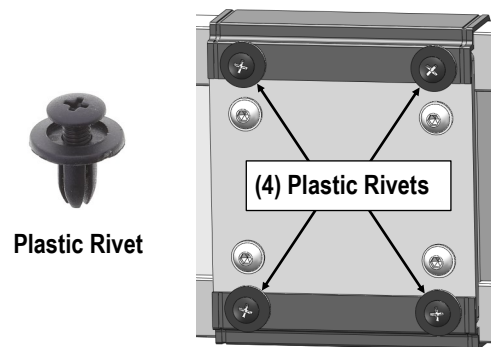
- (2) M8X1.25-25mm Inner Hex Bolts
- (4) M8 Flat Washers
- (2) M8 Lock Washers
- (2) M8 Hex Nuts

(Fig 1) Step Bars Assembly



- (4) M8X1.25-25mm Inner Hex Bolts
- (4) M8 Flat Washers
- (4) M8 Lock Washers

(Fig 2) Back Plate Installation



(Fig 3) Plastic Cover Installation
(Bottom View)

Assembled Step Bars





STEP 2

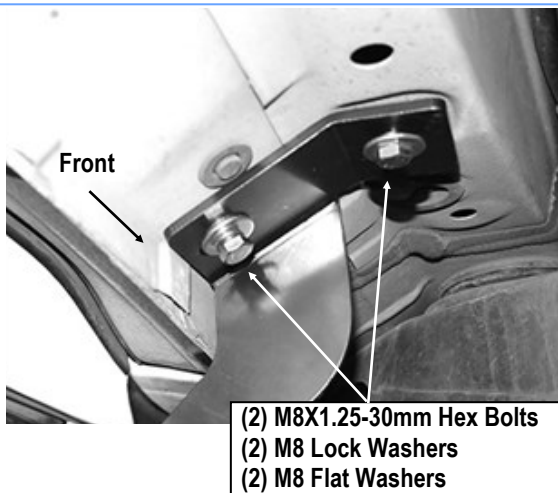
Start the installation from the driver side of the vehicle, remove the existing (2) factory bolts, (or plastic plugs), on the side panel located by the front tire opening, (Fig 4). This will be the mounting location for the driver side front Mounting Bracket.



(Fig 4) Driver Side Front Mounting Location

STEP 3

Select the Driver Front Mounting Bracket (DFM). Attach the Bracket to the vehicle using the included (2) M8X1.25-30mm Hex Bolts, (2) M8 Lock Washers and (2) M8 Flat Washers. Don't fully tighten at this time, (Fig 5).



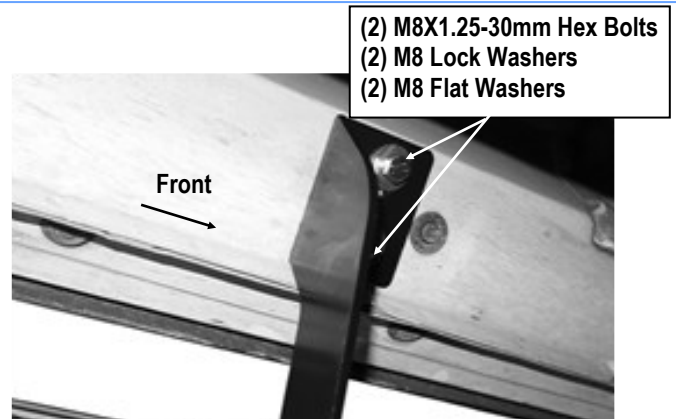
(Fig 5) Driver Front Mounting Bracket Installed

STEP 4

Move along the side panel to the driver side center mounting location, (Fig 6). Repeat Steps 2-3 to install the Driver Center Mounting Bracket (DCM), (Fig 7).



(Fig 6) Driver Side Center Mounting Location



(Fig 7) Driver Center Mounting Bracket Installed

STEP 5

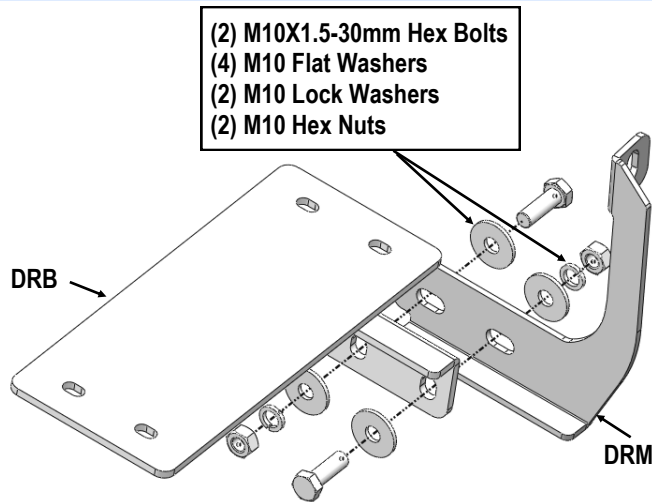
Next, move to the 4th mounting location at the back of the cab. Repeat Steps 2-3 to install the Driver Center Mounting Bracket (DCM).

IMPORTANT: There are (4) mounting locations along the side of the vehicle. Installation will use the 1st, 2nd and 4th mounting locations only.



STEP 6

Assemble (1) Driver Rear Mounting Bracket (**DRM**) and (1) Driver Rear Bar Bracket (**DRB**) with (2) M10X1.5-30mm Hex Bolts, (2) M10 Lock Washers, (4) M10 Flat Washers and (2) M10 Hex Nuts, (**Fig 8**). Do not fully tighten hardware at this time.



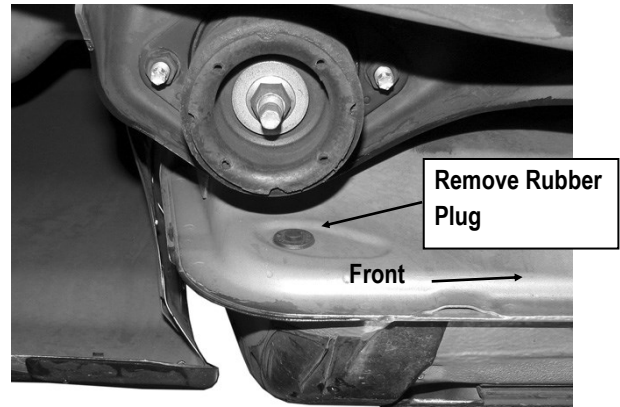
(Fig 8) Driver Rear Brackets Assembly

STEP 7

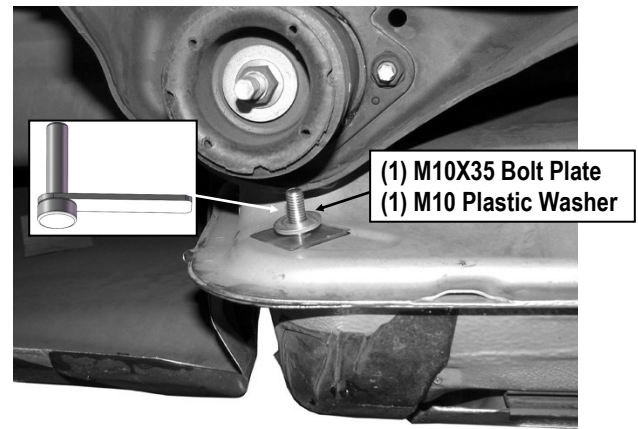
Move to the very end of the cab. Locate and remove the rubber plug in the side of the inner body panel, (**Fig 9**). Select (1) M10X35 Bolt Plate and (1) M10 Plastic Washer, insert the Bolt Plate into the hole and thread the Plastic Washer down onto the Bolt Plate until it is tight against the body panel, (**Fig 10**).

NOTE: The Plastic Washer is designed to prevent the Bolt Plate from falling into the body panel and to aid Support Bracket installation.

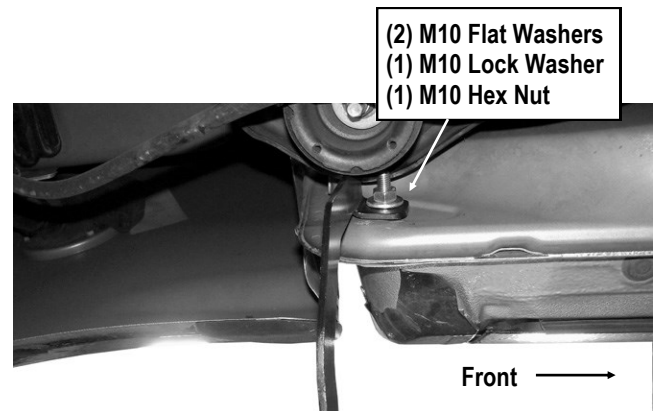
Select (1) M10 Flat Washer and slide it onto the threaded end of the Bolt Plate over the Plastic Washer, (**Fig 11**). Next, secure the assembled driver rear bracket to the Bolt Plate with (1) M10 Flat Washer, (1) M10 Lock Washer and (1) M10 Hex Nut, (**Fig 11**). Do not fully tighten hardware at this time.



(Fig 9) Driver Side Rear Mounting Location



(Fig 10) Insert The M10X35 Bolt Plate



(Fig 11) Driver Rear Mounting Bracket Installed



STEP 8

Once all (4) Driver side mounting brackets are installed, then proceed to the Step Bar installation. (**Figs 12 & 13**)

- (1) Select (1) Slider and (2) M8X1.25-35mm Carriage Bolts;
- (2) Install (2) M8X1.25-35mm Carriage Bolts in (1) Slider.
- (3) Slide the Slider (with carriage bolts) to the **Step Bar**.
- (4) Repeat to install the other (3) sliders to the step bar.
- (5) Attach the Step Bar (with the Sliders) onto the installed mounting brackets. Position the Sliders to the installed brackets. Secure the Step Bar to the installed Brackets by using (10) M8 Large Flat Washers and (10) M8 Nylon Lock Nuts and (5) Sliders, (**Fig 13**). Do not fully tighten hardware at this time.

Note: The Sliders are packed with the Step Bars.

Level and adjust the Step Bar and fully tighten all hardware.

Repeat **Steps 2-8** for the other side Step Bar installation. **The installation is completed!!!**

Attention

Do periodic inspections to the installation to make sure that all hardware is secure and tight.

In order to protect your bars/boards, please use mild soap/non-abrasive products for cleaning only.

