

iBoard®

iBoard® by APS

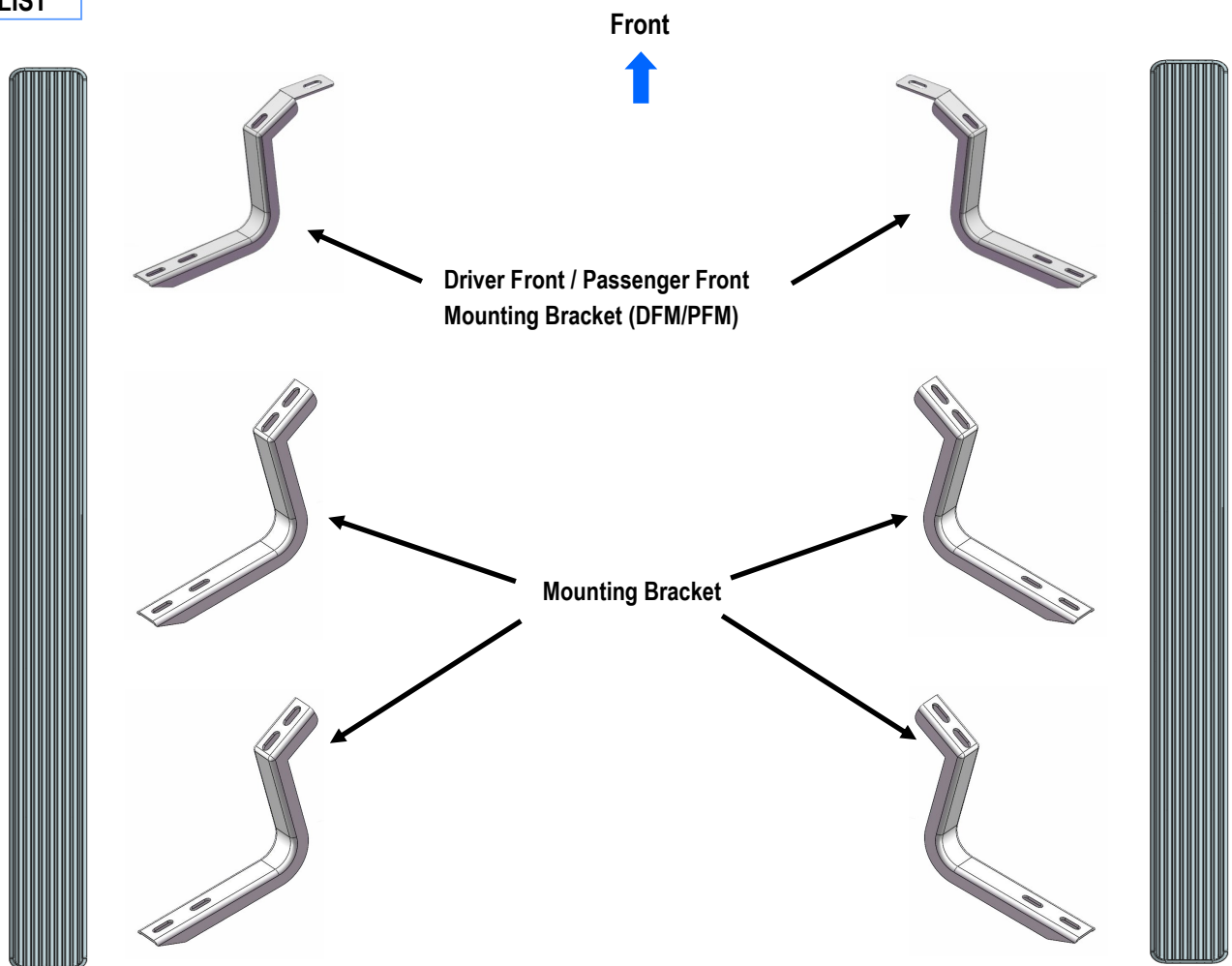
PART#: IB-056[L]-A_B

READ INSTRUCTIONS CAREFULLY BEFORE STARTING INSTALLATION. REMOVE CONTENTS FROM BOX AND VERIFY ALL PARTS ARE PRESENT. ASSISTANCE IS RECOMMENDED.

*ROCKER PANEL MOUNT
*NO DRILLING REQUIRED

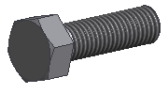
Fastener Size	Tightening Torque (ft-lbs)
6mm	6-7
8mm	16-18
10mm	31-32
12mm	56-58
14mm	92-94

PART LIST



Customer Support: info@iboardauto.com

iBoard®



X12

M8X1.25-30mm Hex Bolt



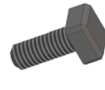
X12

M8 Flat Washer



X12

M8 Lock Washer



X12

M6X1-20mm
Square Head Bolt



X12

M6 Large Flat Washer

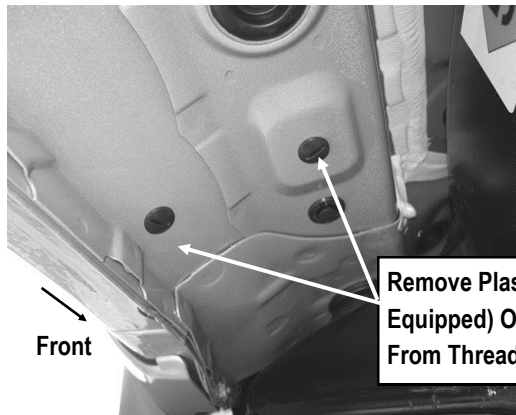


X12

M6X1 Nylon
Lock Nut

STEP 1

Start installation on the driver side front of the vehicle, remove the existing (2) factory bolts, (or plastic plugs) (**Fig 1**). This will be the mounting location for the Driver Front Mounting Bracket.

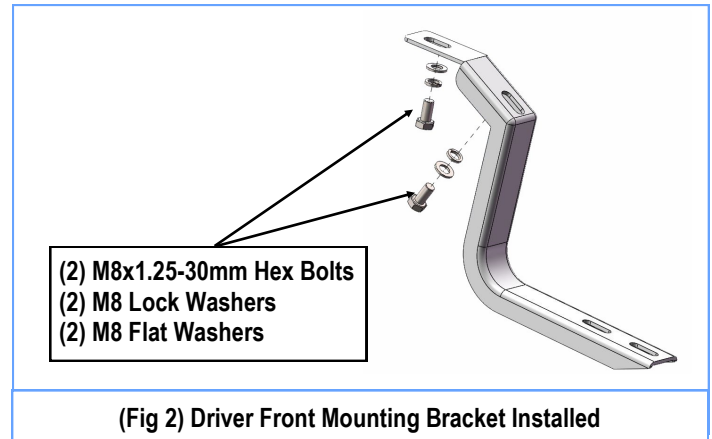


(Fig 1) Driver Side Front Mounting Location

STEP 2

Select the Driver Front Mounting Bracket (**DFM/PFM**), attach the Bracket to the vehicle using the included (2) M8x1.25-30mm Hex Bolts, (2) M8 Lock Washers and (2) M8 Flat Washers, (**Fig 2**). Do not fully tighten hardware at this time.

Note: All (2) Front Mount Brackets are universal.



(Fig 2) Driver Front Mounting Bracket Installed

STEP 3

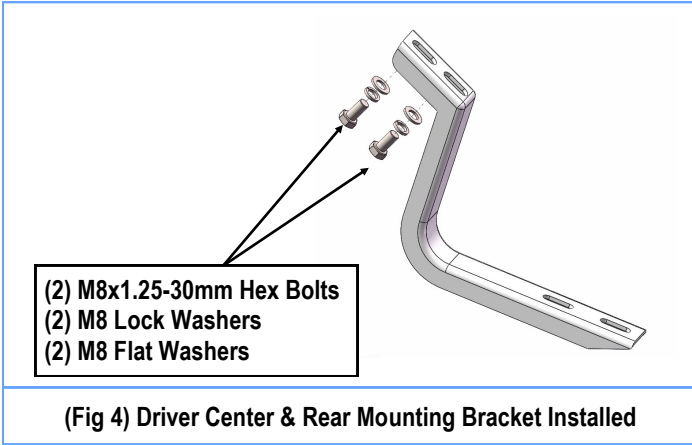
Move along the side panel to the Driver Side Center & Rear Mounting Locations, (**Fig 3**). Repeat **Steps 1 & 2** to install the Driver Side Center & Rear Mounting Brackets, (**Fig 4**).

Note: The (4) mounting brackets for driver/passenger side center and rear are universal.



(Fig 3) Example of Driver Side Center & Rear Mounting Location

iBoard®



STEP 4

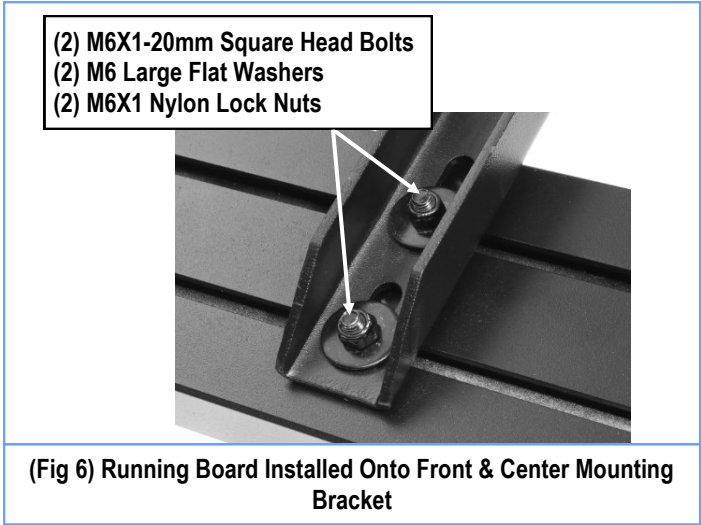
Select a Running Board. Slip (3) M6x1-20mm Square Head Bolts into each bottom channel (Fig 5). Carefully position the Running Board onto the (3) Mounting Brackets.

IMPORTANT: Do not slide the Running Board on the Brackets or the bottom surface of the board will be damaged. Attach the Running Board to each Mounting Brackets with (2) M6x1-20mm Square Head Bolts, (2) M6 Large Flat Washers and (2) M6 X1 Nylon Lock Nuts (Fig 6). Do not tighten at this time.

Level and adjust the Running Board and fully tighten all hardware.



(Fig 5) Slip M6X1-20 Square Head Bolts Into The Bottom Channels



STEP 5

Repeat **Steps 1-4** for the other side Running Board installation. The installation is completed (Fig 7).



(Fig 7) Installation Completed

Attention

Do periodic inspections to the installation to make sure that all hardware is secure and tight.

In order to protect your bars/boards, please use only mild soap/non-abrasive products for cleaning.