

iBoard®



Scan for
Installation Video

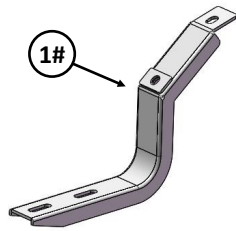
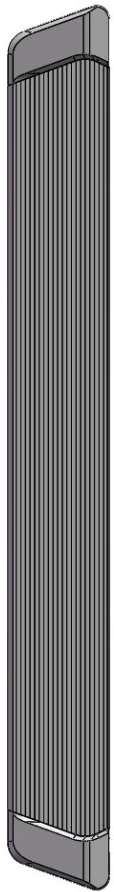
iBoard® by APS

PART#: IB-R012

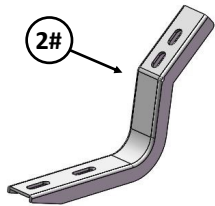
READ INSTRUCTIONS CAREFULLY BEFORE STARTING INSTALLATION. REMOVE CONTENTS FROM BOX AND VERIFY ALL PARTS ARE PRESENT. ASSISTANCE IS RECOMMENDED.

*ROCKER PANEL MOUNT
*NO DRILLING REQUIRED

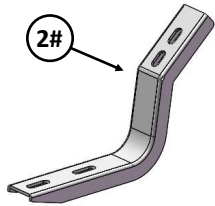
Fastener Size	Tightening Torque (ft-lbs)	Required
6mm	6-7	√
8mm	16-18	√
10mm	31-32	X
12mm	56-58	X
14mm	92-94	X



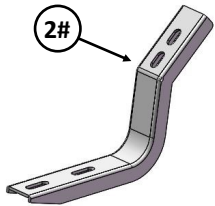
1#



2#

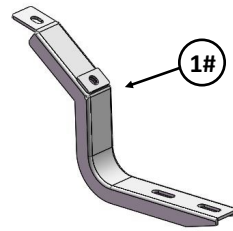


2#

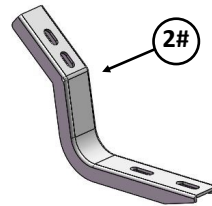


2#

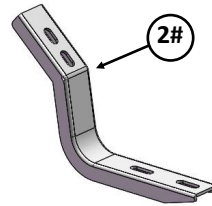
Front



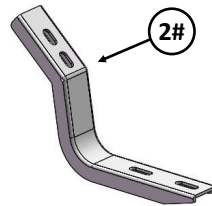
1#



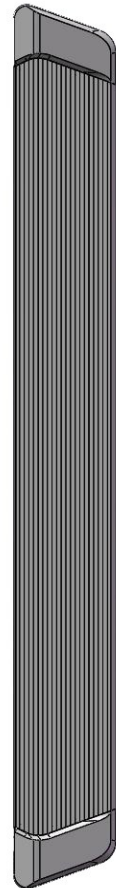
2#



2#



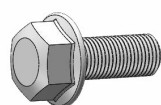
2#



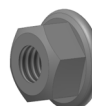


Scan for
Installation Video

Hardware Package A (For Bracket Installation)					
Item	QTY	Description	Item	QTY	Description
1#	2	Driver / Passenger Front Mounting Brackets	3#	2	M8X1.25-30mm Hex Flange Bolts
2#	6	Mounting Brackets	4#	6	M8 Hex Flange Nuts

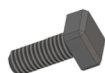


3 #



4 #

Hardware Package B (For Step Bar Installation)					
Item	QTY	Description	Item	QTY	Description
1#	16	M6X1-20mm Square Head Bolts	3#	16	M6 Nylon Lock Nuts
2#	16	M6 Large Flat Washers			



1#



2#



3#



STEP 1

Starting on the driver side front of the vehicle, (**Fig 1**). Remove existing bolts as shown, (**Fig 1**).

Select the Driver Front Mounting Bracket, install with (1) M8X1.25-30mm Hex Flange Bolt and (1) Existing Bolt, (**Fig 2**). Do not fully tighten hardware at this time.

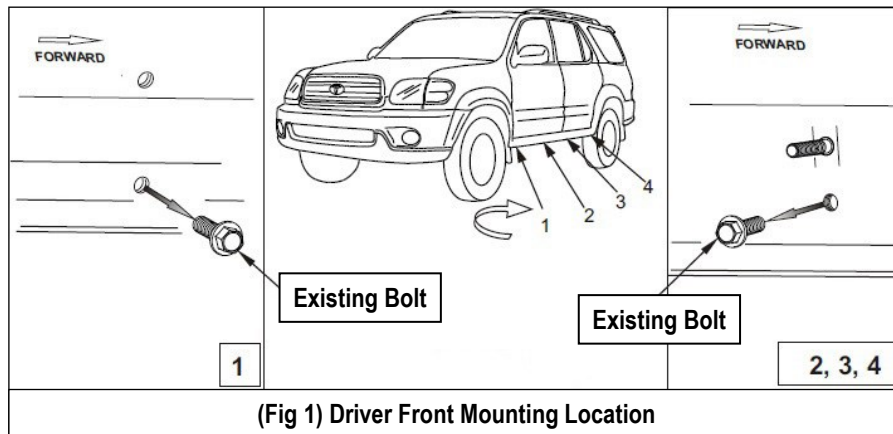
Note: Driver & Passenger Front Mounting Bracket are universal.

STEP 2

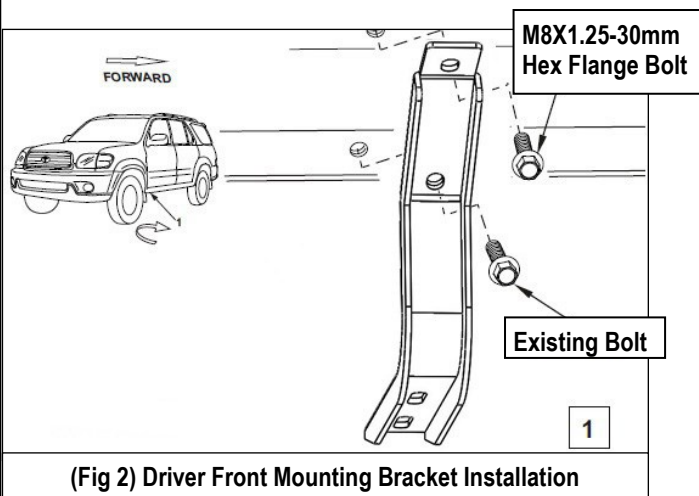
Next, move to the driver side 2nd & 3rd & 4th mounting locations, (**Fig 1**). Repeat **Step 1** to remove existing bolts as shown, (**Fig 1**).

Select (1) Mounting Bracket, attach the Mounting Bracket with (1) M8 Hex Flange Nut and (1) Existing Bolt, (**Fig 3**). Do not fully tighten hardware at this time.

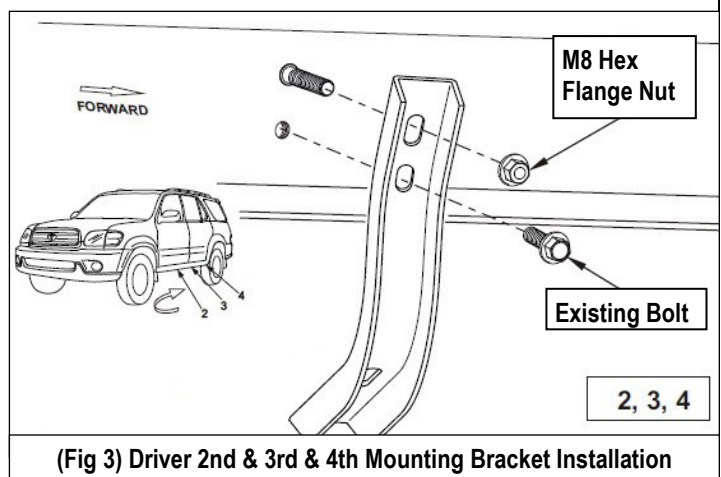
Note: (6) Mounting Brackets are universal.



(Fig 1) Driver Front Mounting Location



(Fig 2) Driver Front Mounting Bracket Installation



(Fig 3) Driver 2nd & 3rd & 4th Mounting Bracket Installation

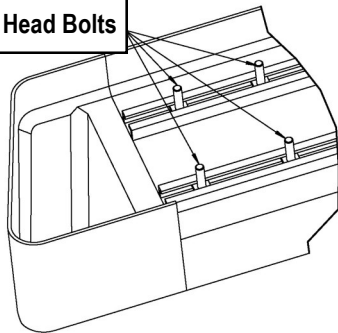


STEP 3

Once all (4) mounting brackets are installed. Select a Running Board. Slip (4) M6X1-20mm Square Head Bolts into each bottom channel, (**Fig 4**). Carefully position the Running Board onto the (4) Mounting Brackets. Attach the Running Board to each Mounting Bracket with (2) M6X1-20mm Square Head Bolts, (2) M6 Large Flat Washers and (2) M6 Nylon Lock Nuts, (**Fig 5**). Do not fully tighten at this time.

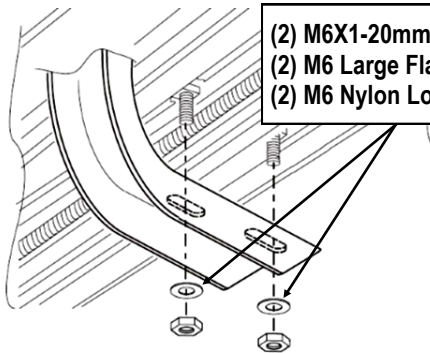
IMPORTANT: Do not slide the Running Board on the Brackets or the bottom surface of the board will be damaged.

M6X1-20mm Square Head Bolts



(Fig 4) Slip M6X1-20mm Square Head Bolts Into The Bottom Channels

(2) M6X1-20mm Square Head Bolts
(2) M6 Large Flat Washers
(2) M6 Nylon Lock Nuts



(Fig 5) Running Board Installed Onto Mounting Bracket

STEP 4

Level and adjust the Running Board and fully tighten all hardware.

Important: Please follow the recommended Tightening Torques shown in the table on page 1. Don't over tighten, or the nuts/bolts will be damaged.

STEP 5

Repeat **Steps 1-4** for the other side Running Board installation. The installation is completed.

Attention

Do periodic inspections to the installation to make sure that all hardware is secure and tight.

In order to protect your bars/boards, please use mild soap/non-abrasive products for cleaning only.