



iBoard® by APS

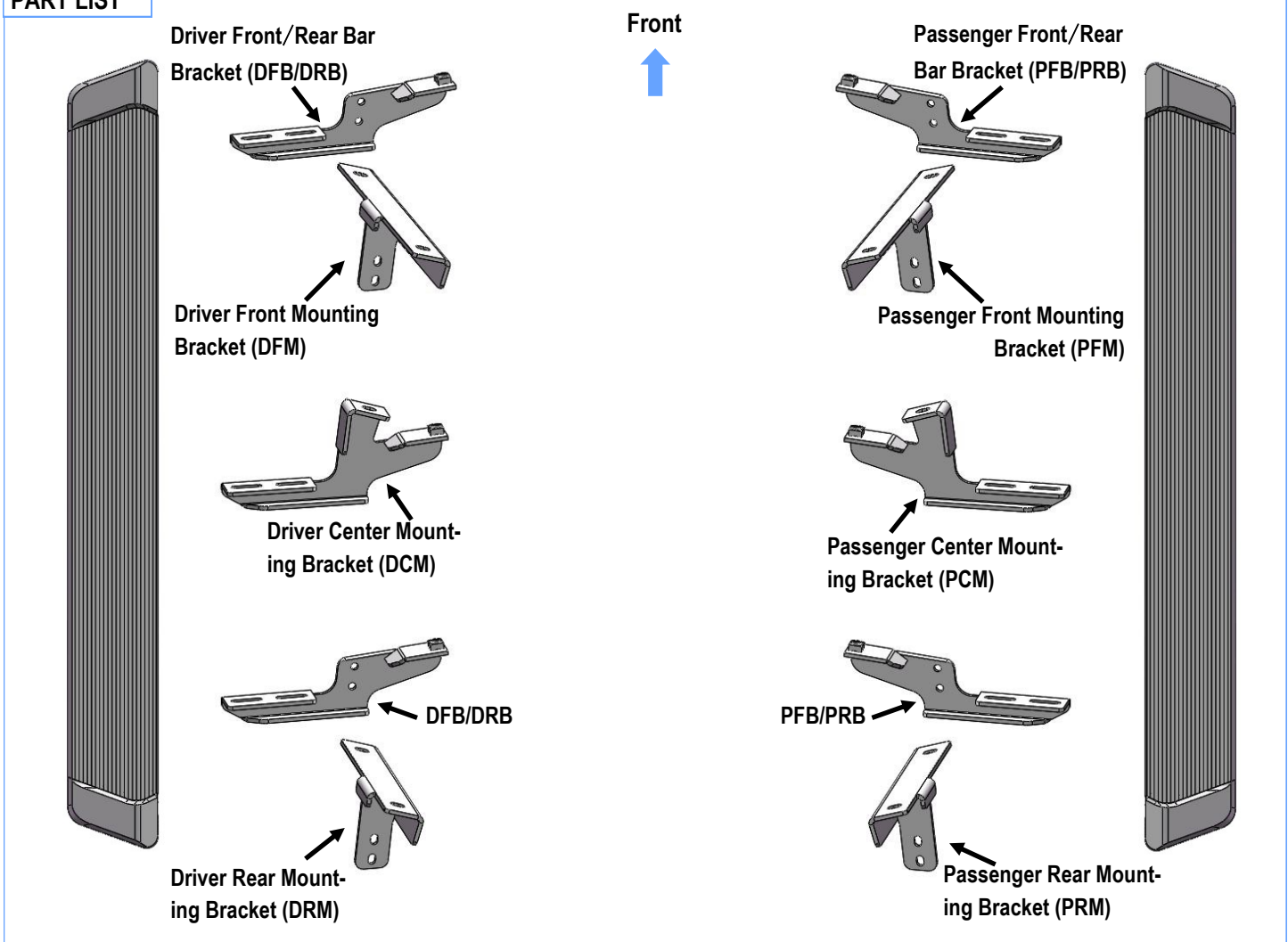
PART#: IB-R975

READ INSTRUCTIONS CAREFULLY BEFORE STARTING INSTALLATION. REMOVE CONTENTS FROM BOX AND VERIFY ALL PARTS ARE PRESENT. ASSISTANCE IS RECOMMENDED.

*ROCKER PANEL MOUNT
*NO DRILLING REQUIRED

Fastener Size	Tightening Torque (ft-lbs)	Required
6mm	6-7	√
8mm	16-18	√
10mm	31-32	√
12mm	56-58	X
14mm	92-94	X

PART LIST



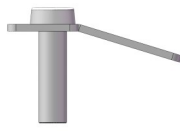


Hardware Package A (For Bracket Installation)

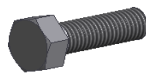
Item	QTY	Description	Item	QTY	Description
1#	6	Backing Plates	5#	16	M10 Lock Washers
2#	10	M10X35 Bolt Plates	6#	16	M10 Hex Nuts
3#	6	M10X1.5-50mm Hex Bolts	7#	8	M8X1.25-20mm Hex Flange Bolts
4#	16	M10 Large Flat Washers	8#	8	M8 Hex Flange Nuts



1#



2#



3#



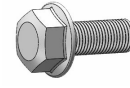
4#



5#



6#



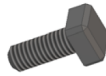
7#



8#

Hardware Package B (For Step Bar Installation)

Item	QTY	Description	Item	QTY	Description
1#	12	M6X1-20mm Square Head Bolts	3#	12	M6 Nylon Lock Nuts
2#	12	M6 Large Flat Washers			



1#



2#

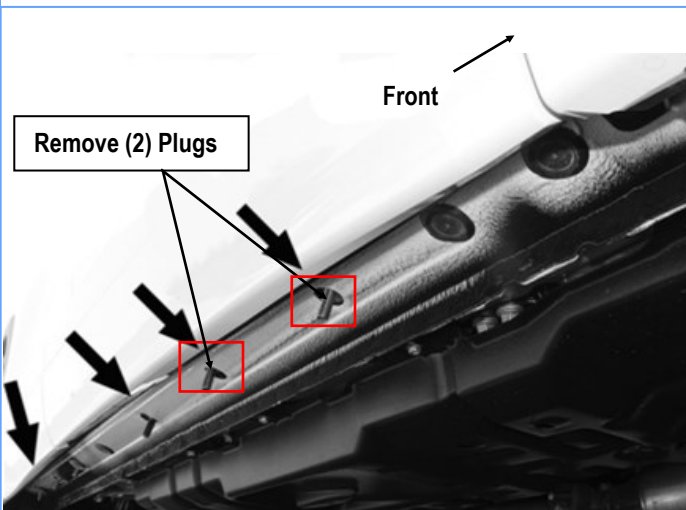


3#

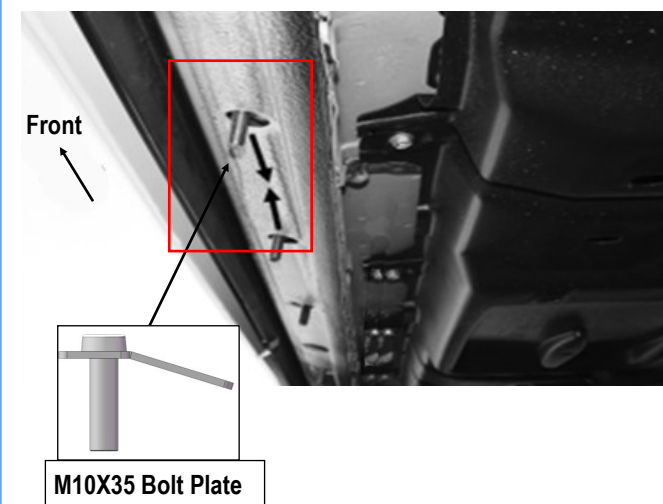


STEP 1

Start on the passenger side of the vehicle, locate the (9) rubber plugs along the lower body panel. From the front location, remove the 3rd and 4th round plugs (**Fig 1**). Select (2) M10X35 Bolt plates, (**Fig 2**). Check the location for body sealant and scrape away excess as necessary, (**Fig 2**). Insert each Bolt Plate into the factory hole with the long end of the plates facing each other, (**Fig 1 & 2**).



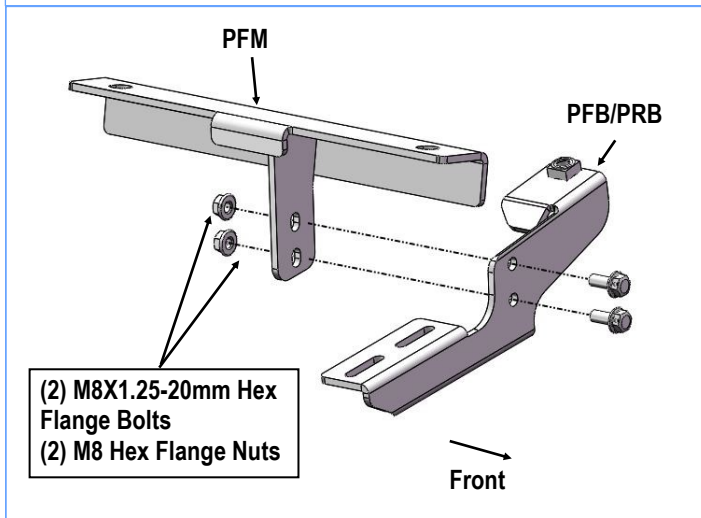
(Fig 1) Use The 3rd And 4th Mounting Hole From The Front Fender Opening For Passenger Front Mounting Bracket Location



(Fig 2) Insert M10X35 Bolt Plate

STEP 2

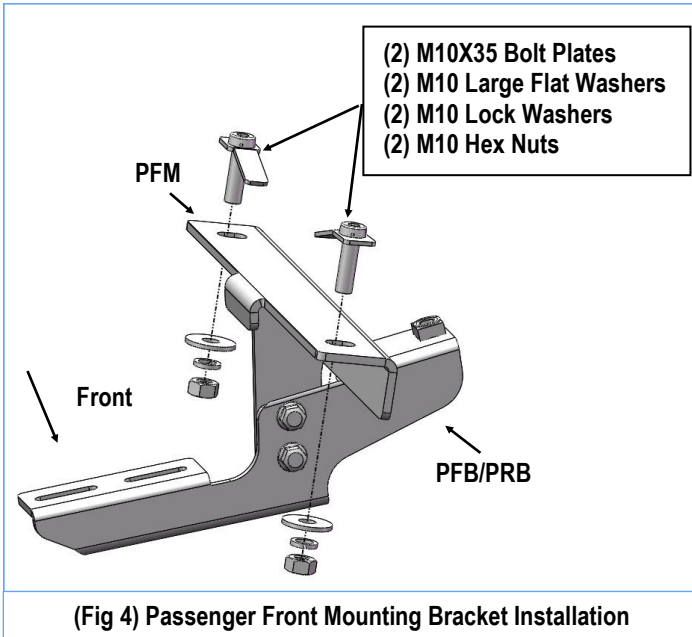
Assemble Passenger Front Bar Bracket (**PFB/PRB**) and Passenger Front Mounting Bracket (**PFM**) with (2) M8X1.25-20mm Hex Flange Bolts and (2) M8 Hex Flange Nuts, (**Fig 3**). Do not fully tighten hardware at this time.



(Fig 3) Passenger Side Front Bracket Assembly

STEP 3

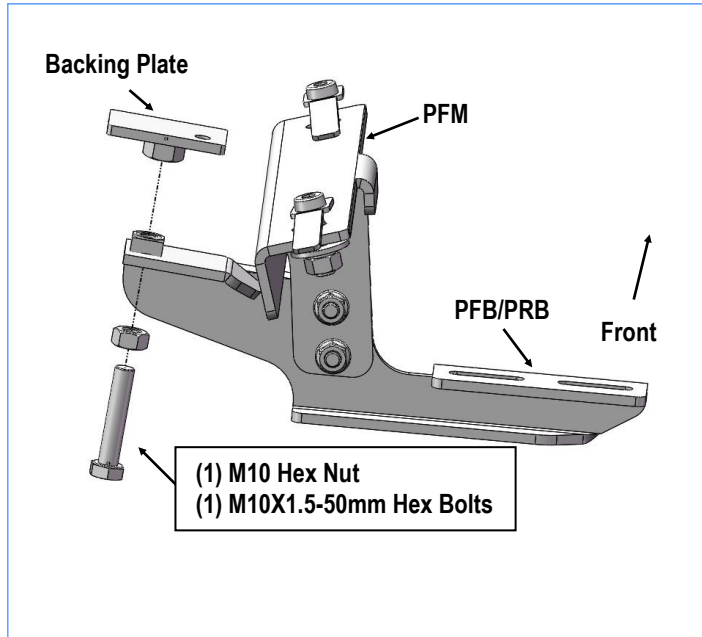
Hold the Passenger Front Mounting Bracket over the Bolt Plates and line up the (2) mounting holes. Secure the Bracket to the Bolt Plates with (2) M10 Large Flat Washers, (2) M10 Lock Washers and (2) M10 Hex Nuts, (**Figs 4 & 6**). Do not fully tighten hardware at this time.



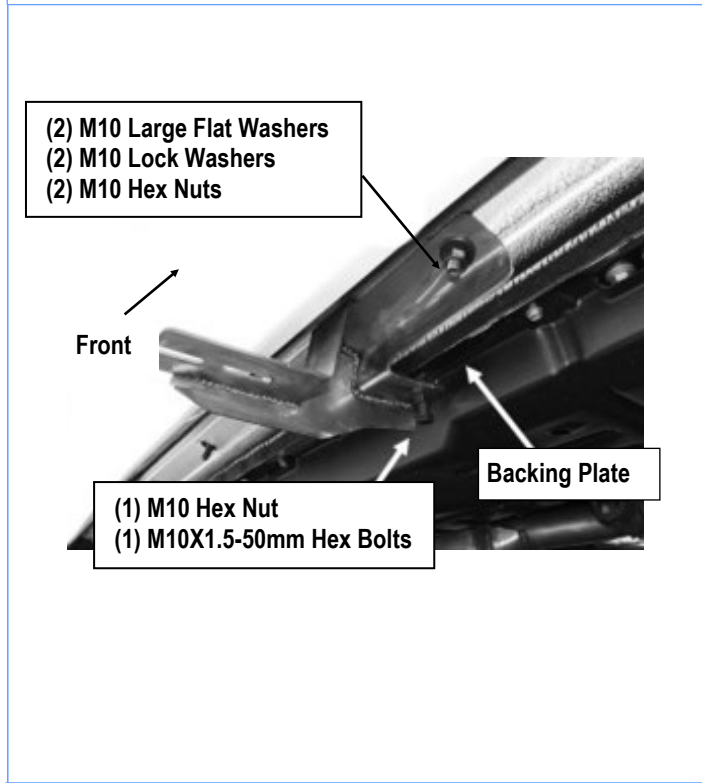
(Fig 4) Passenger Front Mounting Bracket Installation

STEP 4

Next, select (1) Backing Plate, (1) M10 Hex Nut and (1) M10X1.5-50mm Hex Bolt, (Figs 5 & 6). Thread the M10 Hex Nut all the way down the long Hex Bolt. Screw the Hex Bolt and Nut a few threads into and through the Nut welded onto the back tab on the Passenger Front Bar Bracket. Insert the Backing Plate with the welded socket facing down, into the space between the Passenger Front Bar Bracket and the floor panel behind the pinch weld, (Fig 5). Tighten the Hex Bolt into the socket on the Backing Plate until the Plate is close to but not touching the floor panel. Do not tighten hardware at this time.



(Fig 5) Passenger Front Bar Bracket Installation

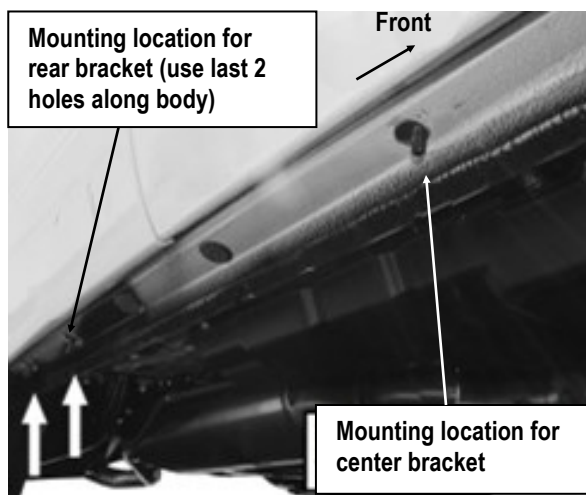


(Fig 6) Passenger Front Bar Bracket Installation

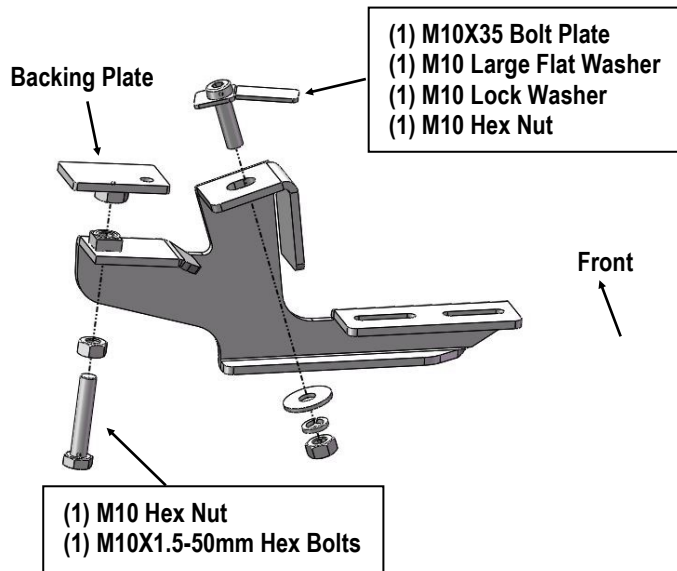


STEP 5

Move to the Passenger Side Center Mounting location, (**Fig 7**). Next, remove the rubber plug in the 5th (next) hole along the body panel. Select (1) Backing Plate, (1) M10 Hex Nut, (1) M10X1.5-50mm Hex Bolt, (1) M10X35 Bolt plate, (1) M10 Large Flat Washer, (1) M10 Lock Washer and (1) M10 Hex Nut to install the Passenger Center Mounting Bracket (**PCM**), (**Fig 8**).



(Fig 7) Passenger Side Center Mounting Location



(Fig 8) Passenger Side Center Mounting Bracket Installation

STEP 6

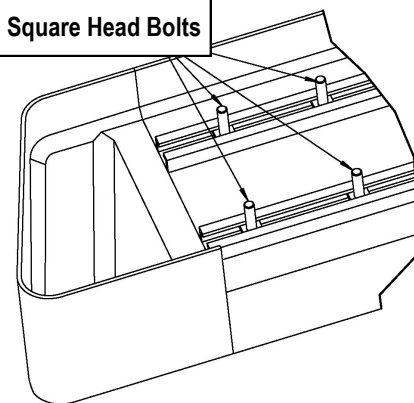
Continue along the body to the 7th and 8th rubber plugs, (**Fig 7**). Repeat **Steps 1-4** to install the Passenger Rear Mounting Bracket (**PRM**) and Passenger Rear Bar Bracket (**PFB/PRB**).

STEP 7

Once all (3) mounting brackets are installed. Select a Running Board. Slip (3) M6X1-20mm Square Head Bolts into each bottom channel (**Fig 9**). Carefully position the Running Board onto the (3) Mounting Brackets. Attach the Running Board to each Mounting Bracket with (2) M6X1-20mm Square Head Bolts, (2) M6 Large Flat Washers and (2) M6 Nylon Lock Nuts (**Fig 10**). Do not fully tighten at this time.

IMPORTANT: Do not slide the Running Board on the Brackets or the bottom surface of the board will be damaged.

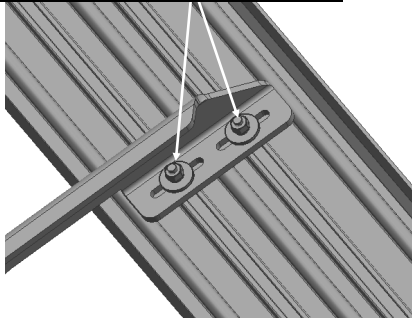
M6X1-20mm Square Head Bolts



(Fig 9) Slip M6X1-20mm Square Head Bolts Into The Bottom Channels



- (2) M6X1-20mm Square Head Bolts
- (2) M6 Large Flat Washers
- (2) M6 Nylon Lock Nuts



(Fig 10) Running Board Installed Onto Mounting Bracket

STEP 8

Note that each Bracket has a small amount of height and angle adjustment.

- a. Check to see if the Running Board is level to the car, front to rear, not level to the ground. To adjust the height of the Bracket, loosen the M10 Bracket hardware and slide the Brackets hardware and slide the Brackets up or down the lower body panel. Once level, tighten the M10 Bolt Plate to Bracket hardware only. The Hex Bolt on the back of the Mounting Bracket for the Support Plate should be completely loose at this time.
- b. Next, check for level to the ground, side to side only. If the outside edge of the running board is tilted down, tighten the long M10 Hex Bolts on the back of the (3) Mounting Brackets evenly until the Running Board is level. If the Running Board is tilted up, loosen the Hex Bolt in the Support Plate a little until the Running Board is level. Once level, tighten all hardware.

STEP 9

Level and adjust the Running Board and fully tighten all hardware.

Important: Please follow the recommended Tightening Torques shown in the table on page 1. Don't over tighten, or the nuts/bolts will be damaged.

STEP 10

Repeat **Steps 1-9** for the other side Running Board installation. The installation is completed.

Attention

Do periodic inspections to the installation to make sure that all hardware is secure and tight.

In order to protect your bars/boards, please use mild soap/non-abrasive products for cleaning only.