

iBoard®



Scan for
Installation Video

iBoard® by APS

PART#: IB-P097Y&H

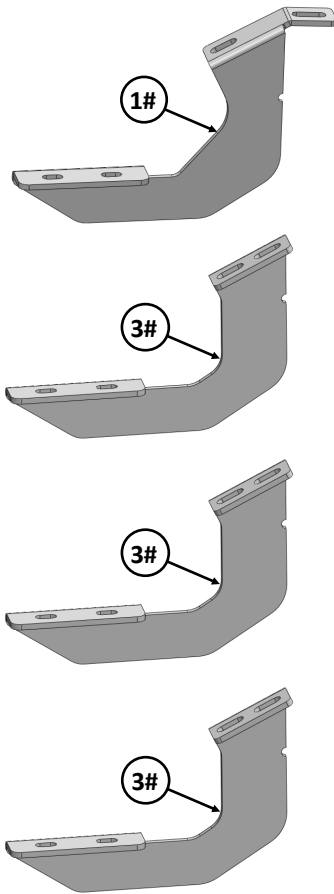
READ INSTRUCTIONS CAREFULLY BEFORE STARTING INSTALLATION. REMOVE CONTENTS FROM BOX AND VERIFY ALL PARTS ARE PRESENT. ASSISTANCE IS RECOMMENDED.

*ROCKER PANEL MOUNT
*NO DRILLING REQUIRED

| Fastener Size | Tightening Torque (ft-lbs) | Required |
|---------------|----------------------------|----------|
| 6mm | 6-7 | X |
| 8mm | 16-18 | √ |
| 10mm | 31-32 | X |
| 12mm | 56-58 | X |
| 14mm | 92-94 | X |

PART LIST

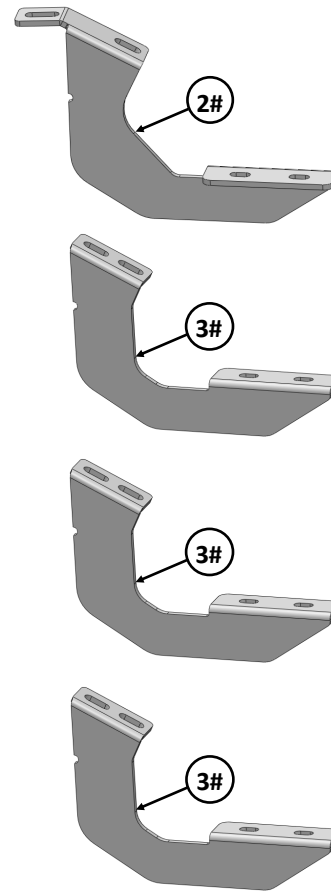
Driver Side Step Bar



Front



Passenger Side Step Bar




Customer Support: info@iboardauto.com




Hardware Package A (For Bracket Installation)


| Item | QTY | Description | Item | QTY | Description |
|------|-----|----------------------------------|------|-----|------------------------|
| 1# | 1 | Driver Front Mounting Bracket | 4# | 16 | M8X1.25-30mm Hex Bolts |
| 2# | 1 | Passenger Front Mounting Bracket | 5# | 16 | M8 Flat Washers |
| 3# | 6 | Mounting Brackets | 6# | 16 | M8 Lock Washers |



4 #



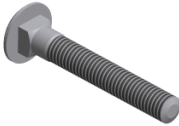
5 #




6 #

Hardware Package B (For Step Bar Installation)


| Item | QTY | Description | Item | QTY | Description |
|------|-----|-----------------------------|------|-----|---|
| 1# | 16 | M8X1.25-35mm Carriage Bolts | 3# | 16 | M8 Nylon Lock Nuts |
| 2# | 16 | M8 Large Flat Washers | 4# | 8 | Sliders (Packed with Mounting Brackets) |




1 #



2 #



3 #



4 #

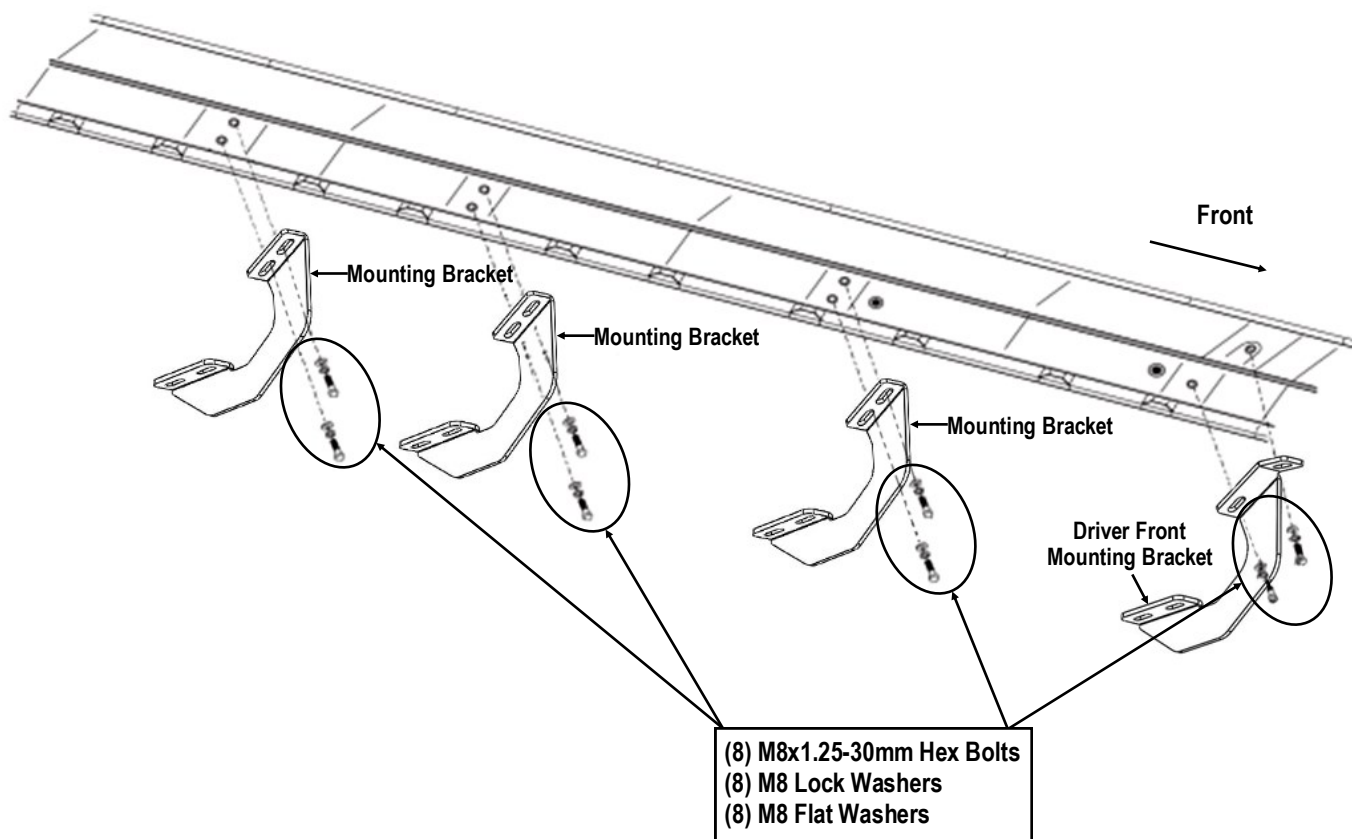


STEP 1

Start installation from the driver side of the vehicle. Select the Driver Front Mounting Bracket. Attach the Bracket to the vehicle using the included (2) M8x1.25-30mm Hex Bolts, (2) M8 Lock Washers and (2) M8 Flat Washers, (Fig 1). Do not fully tighten hardware at this time.

STEP 2

Move to the driver side center, center 1 and rear mounting locations. Repeat **Step 1** to install the Driver Center & Center 1 & Rear Mounting Brackets, (Fig 1).



(Fig 1) Driver Side Mounting Brackets Installation (Example)



STEP 3

Once all (4) Driver side mounting brackets are installed, then proceed to the Step Bar installation. (Figs 2 & 3)

- (1) Select (1) Slider and (2) M8X1.25-35mm Carriage Bolts;
- (2) Install (2) M8X1.25-35mm Carriage Bolts in (1) Slider.
- (3) Slide the Slider (with carriage bolts) to the **Step Bar**.
- (4) Repeat to install the other (3) sliders to the step bar.
- (5) Attach the Step Bar (with the Sliders) onto the installed mounting brackets. Position the Sliders to the installed brackets. Secure the Step Bar to the installed Brackets by using (8) M8 Large Flat Washers and (8) M8 Nylon Lock Nuts and (4) Sliders, (Fig 3). Do not fully tighten hardware at this time.

Note: The Sliders are packed with the Mounting Bracket.

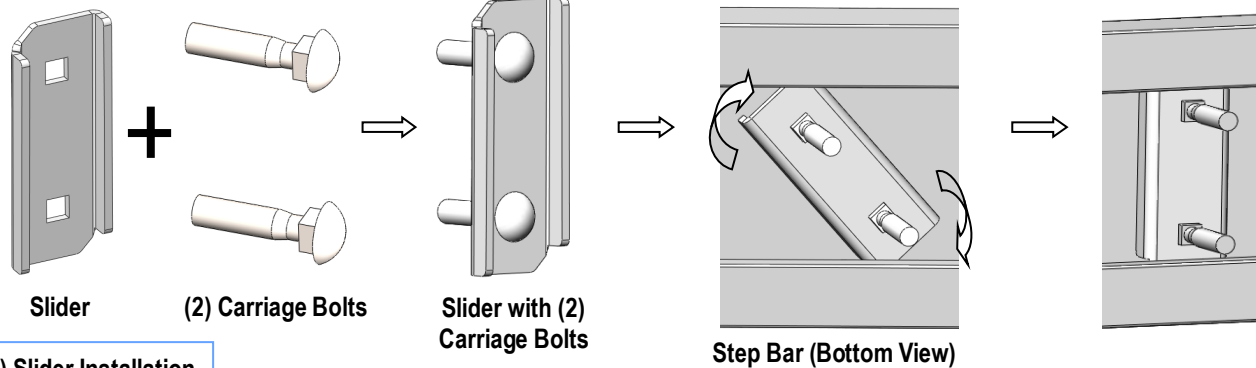
Level and adjust the Step Bar and fully tighten all hardware.

Repeat **Steps 1-3** for the other side Step Bar installation. **The installation is completed!!!**

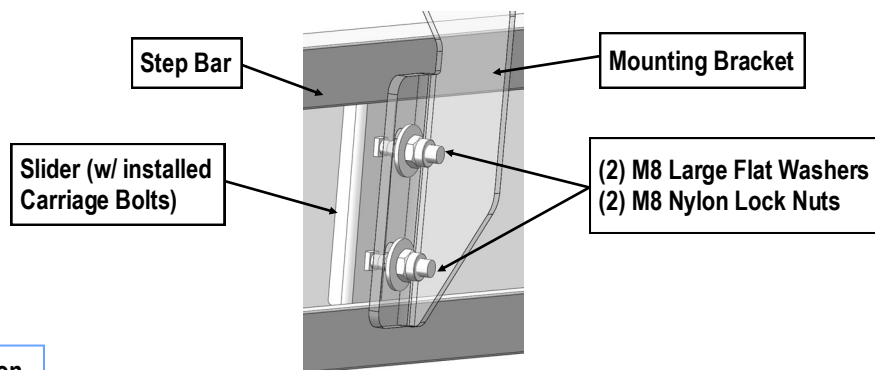
Attention

Do periodic inspections to the installation to make sure that all hardware is secure and tight.

In order to protect your bars/boards, please use mild soap/non-abrasive products for cleaning only.



(Fig 2) Slider Installation



(Fig 3) Step Bar Installation