

# iBoard®



Scan for  
Installation Video

## iBoard® by APS

PART#: IB-P082Y&H

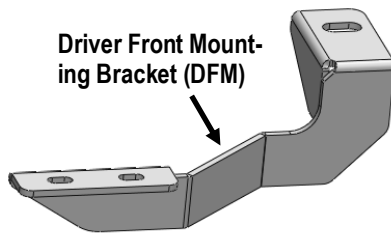
READ INSTRUCTIONS CAREFULLY BEFORE STARTING INSTALLATION. REMOVE CONTENTS FROM BOX AND VERIFY ALL PARTS ARE PRESENT. ASSISTANCE IS RECOMMENDED.

\*BODY FRAME MOUNT  
\*NO DRILLING REQUIRED

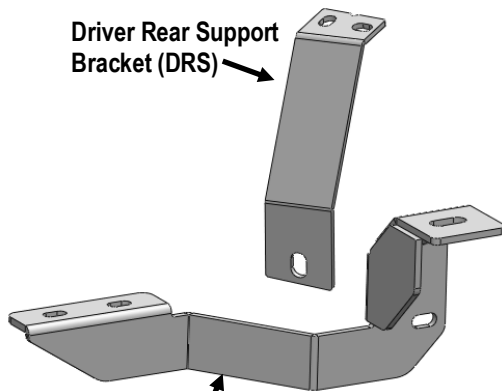
Fastener Size	Tightening Torque (ft-lbs)	Required
6mm	6-7	X
8mm	16-18	√
10mm	31-32	X
12mm	56-58	X
14mm	92-94	X

### PART LIST

#### Driver Side Step Bar



Driver Front Mounting Bracket (DFM)

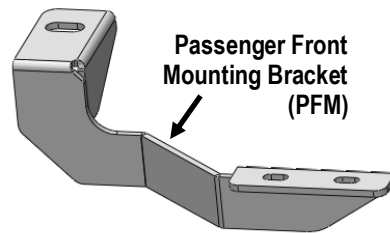
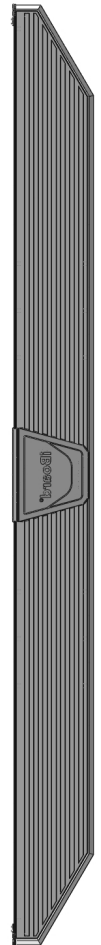


Driver Rear Support Bracket (DRS)

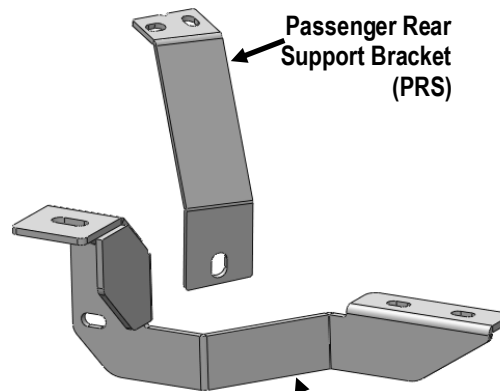
Driver Rear Mounting Bracket (DRM)

Front  
↑

#### Passenger Side Step Bar



Passenger Front Mounting Bracket (PFM)



Passenger Rear Support Bracket (PRS)

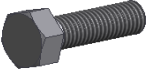
Passenger Rear Mounting Bracket (PRM)

Customer Support: [info@iboardauto.com](mailto:info@iboardauto.com)




### Hardware Package A (For Bracket Installation)


Item	QTY	Description	Item	QTY	Description
1#	6	M8X1.25-30mm Hex Bolts	3#	6	M8 Lock Washers
2#	8	M8 Large Flat Washers	4#	2	M8 Hex Nuts



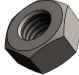
1 #



2 #



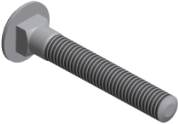
3 #




4 #

### Hardware Package B (For Step Bar Installation)


Item	QTY	Description	Item	QTY	Description
1#	8	M8X1.25-35mm Carriage Bolts	3#	8	M8 Nylon Lock Nuts
2#	8	M8 Large Flat Washers	4#	4	Sliders (Packed with Mounting Brackets)




1 #



2 #



3 #



4 #



## STEP 1

Start installation from the driver side front of the vehicle. Remove front body mount nut and washer located underside of the vehicle.

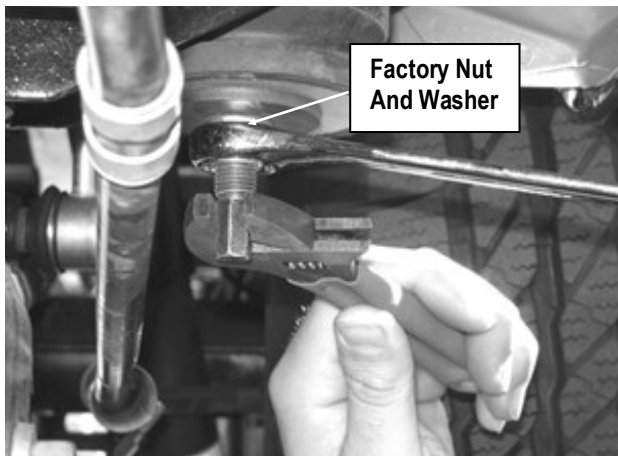
**NOTE:** Use a pair of pliers or a crescent wrench to hold the bolt to loose the nut, (Fig 1).



(Fig 2) Driver Rear Mounting Bracket Installation

## STEP 2

Loosely attach Driver Front Mounting Bracket (DFM) using the factory nut and washer. **NOTE:** Keep factory rubber bushing and other factory body mount components in place (Fig 1).



(Fig 1) Driver Side Front Mounting Location

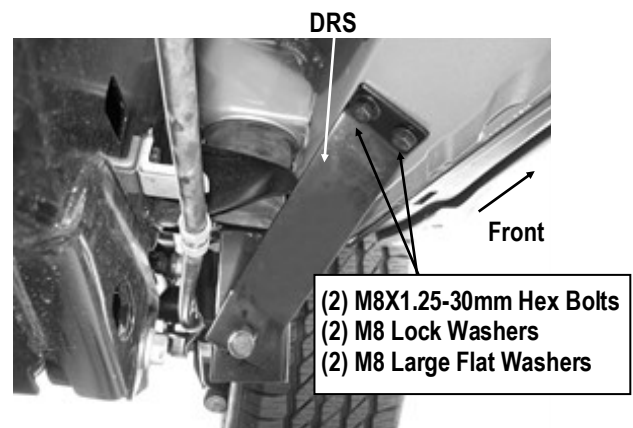
## STEP 3

Move to the Driver Side Rear Mounting Location of the vehicle. Repeat **Steps 1-2** to install the Driver Rear Mounting Bracket (DRM), (Fig 2).

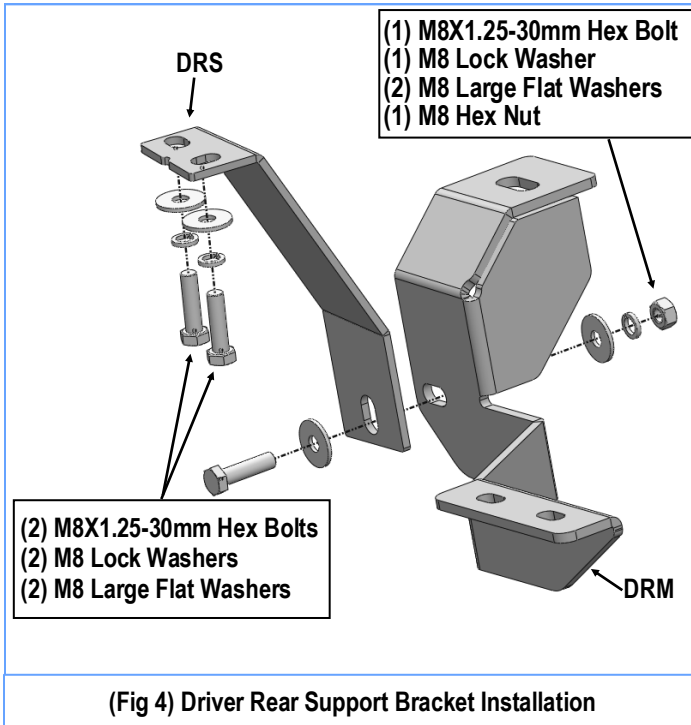
## STEP 4

Locate the (2) factory threaded holes on the side panel beside the rear body mounting location. And attach the Driver Rear Support Bracket (DRS) to these factory holes by using the included (2) M8X1.25-30mm Hex Bolts, (2) M8 Lock Washers, and (2) M8 Large Flat Washers, (Fig 3).

Attach opposite side of Driver Rear Support Bracket (DRS) to Driver Rear Mounting Bracket (DFM) using the included (1) M8X1.25-30mm Hex Bolt, (1) M8 Lock Washer, (1) M8X1.25 Hex Nut, and (2) M8 Large Flat Washers, (Figs 3 & 4). Do not fully tighten at this time.



(Fig 3) Driver Rear Support Bracket Installed



### Attention

Do periodic inspections to the installation to make sure that all hardware is secure and tight.

In order to protect your bars/boards, please use mild soap/non-abrasive products for cleaning only.

## STEP 5

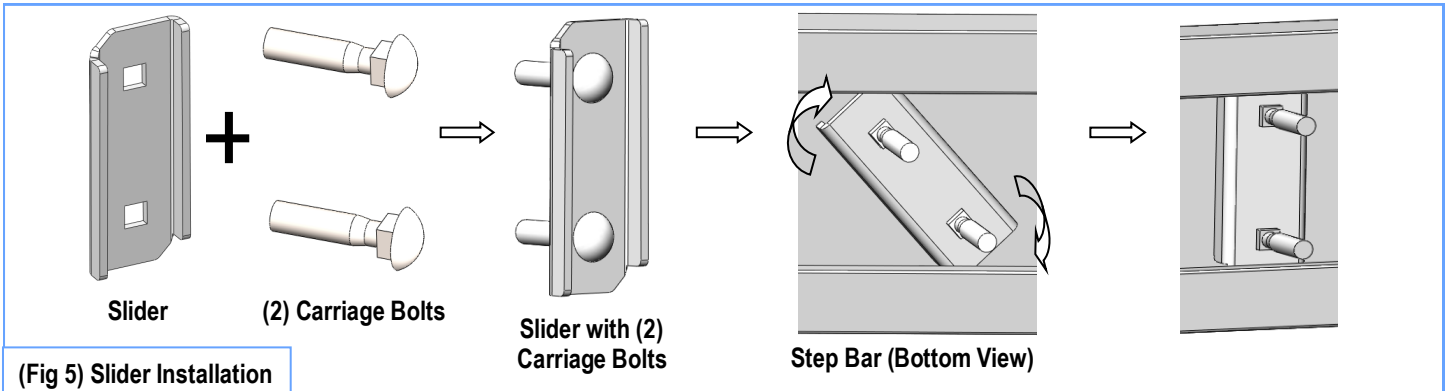
Once all (2) Driver side mounting brackets are installed, then proceed to the Step Bar installation. (Figs 5 & 6)

- (1) Select (1) Slider and (2) M8X1.25-35mm Carriage Bolts;
- (2) Install (2) M8X1.25-35mm Carriage Bolts in (1) Slider.
- (3) Slide the Slider (with carriage bolts) to the **Step Bar**.
- (4) Repeat to install the other (1) slider to the step bar.
- (5) Attach the Step Bar (with the Sliders) onto the installed mounting brackets. Position the Sliders to the installed brackets. Secure the Step Bar to the installed Brackets by using (4) M8 Large Flat Washers and (4) M8 Nylon Lock Nuts and (2) Sliders, (Fig 6). Do not fully tighten hardware at this time.

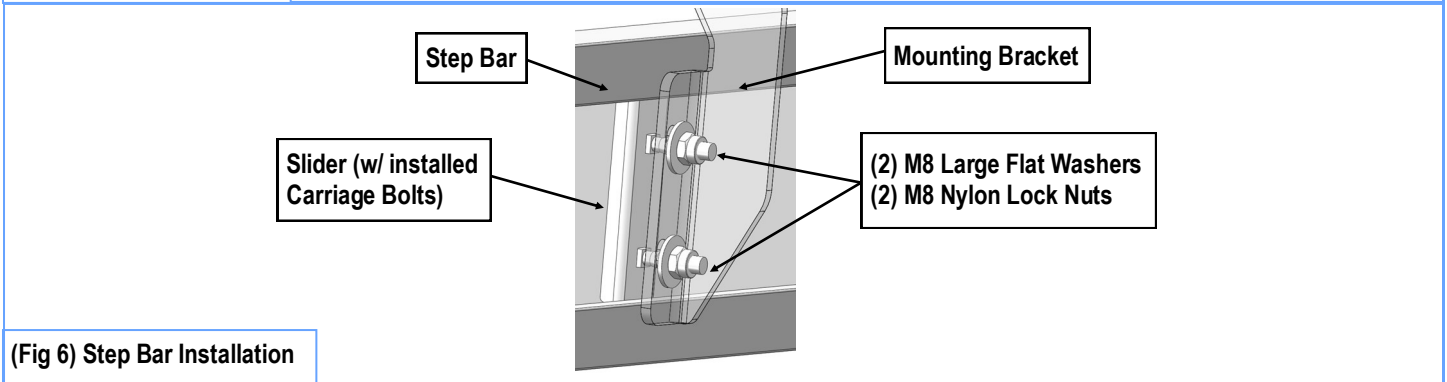
**Note:** The Sliders are packed with the Mounting Brackets.

Level and adjust the Step Bar and fully tighten all hardware.

Repeat **Steps 1-5** for the other side Step Bar installation. **The installation is completed!!!**



(Fig 5) Slider Installation



(Fig 6) Step Bar Installation