

# iBoard®



Scan for  
Installation Video

## iBoard® by APS

PART#: IB-P060Y&H

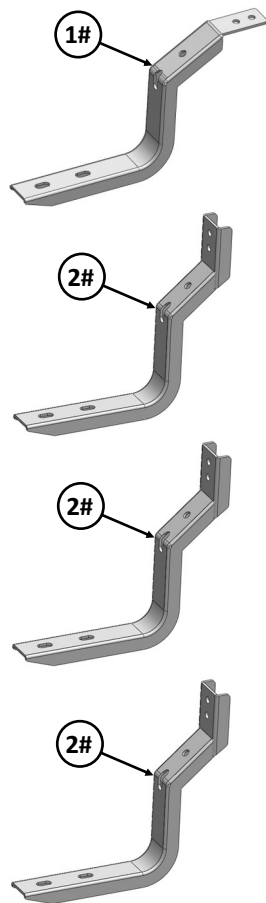
READ INSTRUCTIONS CAREFULLY BEFORE STARTING INSTALLATION. REMOVE CONTENTS FROM BOX AND VERIFY ALL PARTS ARE PRESENT. ASSISTANCE IS RECOMMENDED.

\*ROCKER PANEL MOUNT  
\*DRILLING IS REQUIRED

Fastener Size	Tightening Torque (ft-lbs)	Required
6mm	6-7	√
8mm	16-18	√
10mm	31-32	X
12mm	56-58	X
14mm	92-94	X

### PART LIST

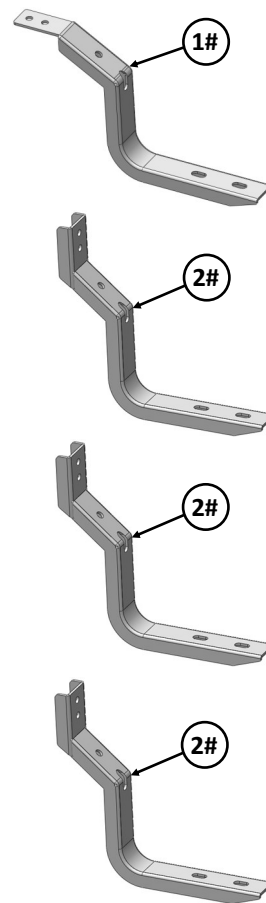
#### Driver Side Step Bar



Front



#### Passenger Side Step Bar



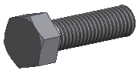


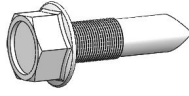
Customer Support: [info@iboardauto.com](mailto:info@iboardauto.com)



Scan for  
Installation Video

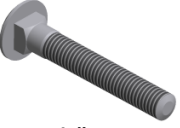



Hardware Package A (For Bracket Installation)					
Item	QTY	Description	Item	QTY	Description
1#	2	Driver / Passenger Front Mounting Brackets	4#	16	M8 Flat Washers
2#	6	Mounting Brackets	5#	8	M8X1.25 Nylon Lock Nuts
3#	8	M8X1.25-20mm Hex Bolts	6#	16	ST6.3-25mm Hex Flange Self Tapping Screws

			
3 #	4 #	5 #	6 #

Hardware Package B (For Step Bar Installation)					
Item	QTY	Description	Item	QTY	Description
1#	16	M8X1.25-35mm Carriage Bolts	3#	16	M8 Nylon Lock Nuts
2#	16	M8 Large Flat Washers	4#	8	Sliders (Packed with Mounting Brackets)

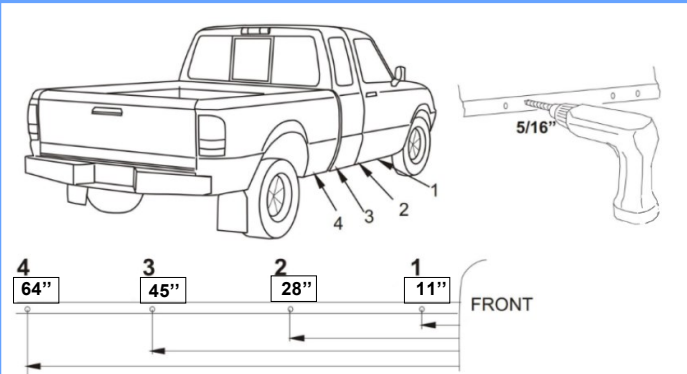
  

			
1 #	2 #	3 #	4 #



## STEP 1

Start installation from the passenger side of the vehicle. Drilling 5/16" holes in pinch weld and rocker panel as show, (**See Fig 1**).

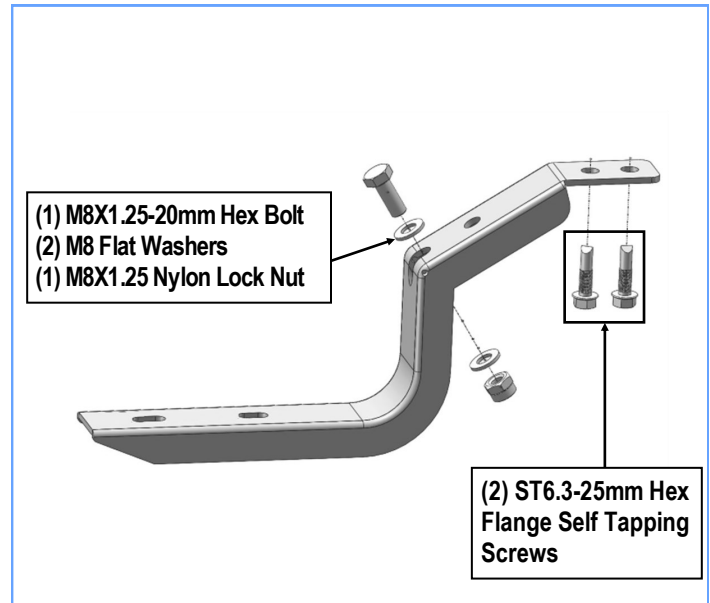


(Fig 1) Passenger Side Mounting Locations

## STEP 2

Start from the passenger side front mounting location. Select (1) Passenger Front Mounting Bracket. Attach the Passenger Front Mounting Bracket with (2) ST6.3-25mm Hex Flange Self Tapping Screws, (1) M8X1.25-20mm Hex Bolt, (2) M8 Flat Washers, and (1) M8X1.25 Nylon Lock Nut, (**Fig 2**). Do not fully tighten hardware at this time.

**Note:** (2) Driver/Passenger Front Mounting Brackets are universal.

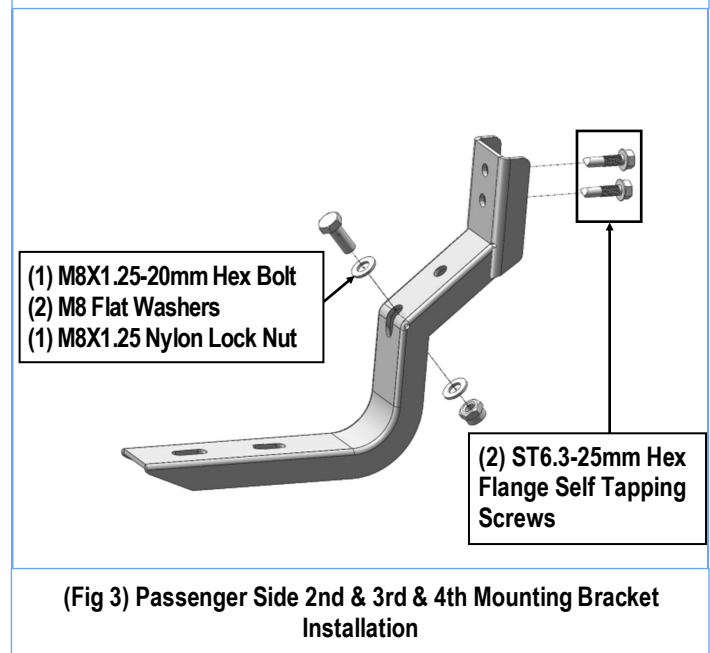


(Fig 2) Passenger Front Mounting Bracket Installation

## STEP 3

Move to the passenger side 2nd, 3rd & 4th mounting locations. Select the Mounting Brackets, repeat **Step 2** to install the Mounting Brackets, (**Fig 3**). Do not fully tighten hardware at this time.

**Note:** (6) Mounting Brackets are universal.



(Fig 3) Passenger Side 2nd & 3rd & 4th Mounting Bracket Installation



## STEP 4

Once all (4) Passenger side mounting brackets are installed, then proceed to the Step Bar installation. (Figs 4 & 5)

- (1) Select (1) Slider and (2) M8X1.25-35mm Carriage Bolts;
- (2) Install (2) M8X1.25-35mm Carriage Bolts in (1) Slider.
- (3) Slide the Slider (with carriage bolts) to the **Step Bar**.
- (4) Repeat to install the other (3) sliders to the step bar.
- (5) Attach the Step Bar (with the Sliders) onto the installed mounting brackets. Position the Sliders to the installed brackets. Secure the Step Bar to the installed Brackets by using (8) M8 Large Flat Washers and (8) M8 Nylon Lock Nuts and (4) Sliders, (Fig 5). Do not fully tighten hardware at this time.

**Note:** The Sliders are packed with the Mounting Brackets.

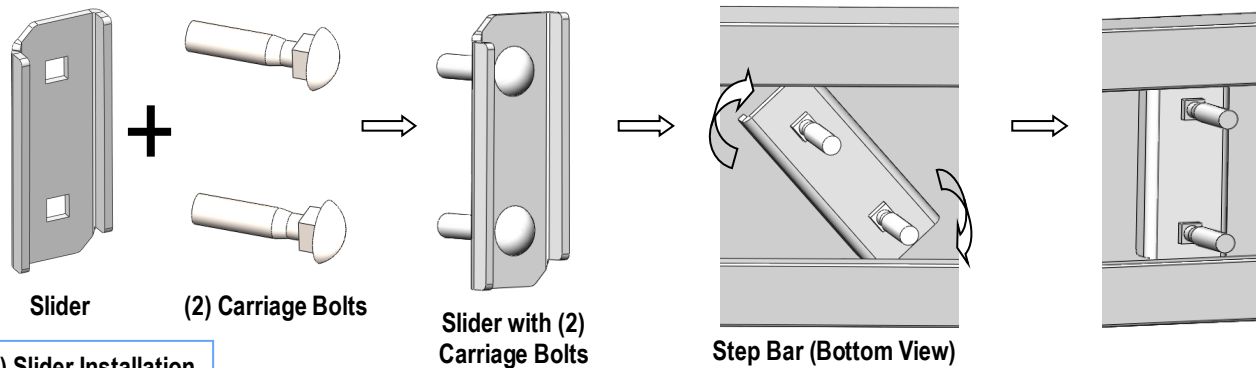
Level and adjust the Step Bar and fully tighten all hardware.

Repeat **Steps 1-4** for the other side Step Bar installation. **The installation is completed!!!**

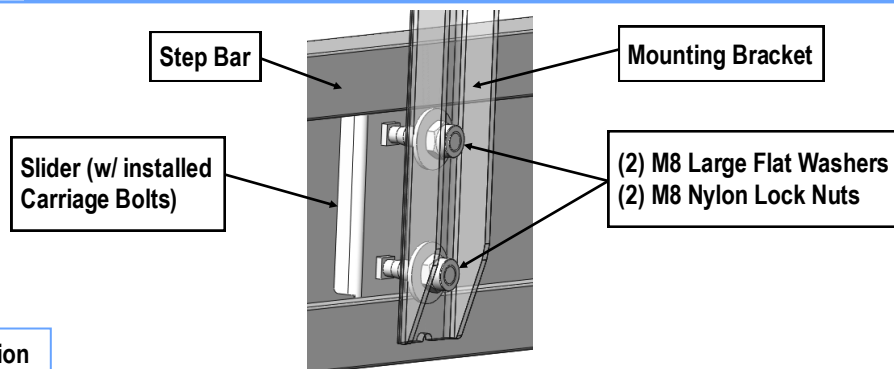
### Attention

Do periodic inspections to the installation to make sure that all hardware is secure and tight.

In order to protect your bars/boards, please use mild soap/non-abrasive products for cleaning only.



(Fig 4) Slider Installation



(Fig 5) Step Bar Installation