

iBoard®



Scan for
Installation Video

iBoard® by APS

PART#: IB-P056Y&H

READ INSTRUCTIONS CAREFULLY BEFORE STARTING INSTALLATION. REMOVE CONTENTS FROM BOX AND VERIFY ALL PARTS ARE PRESENT. ASSISTANCE IS RECOMMENDED.

*ROCKER PANEL MOUNT
*NO DRILLING REQUIRED

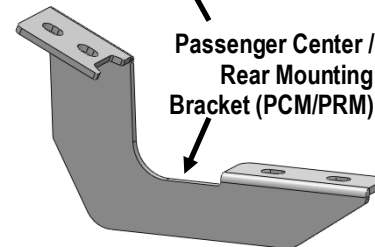
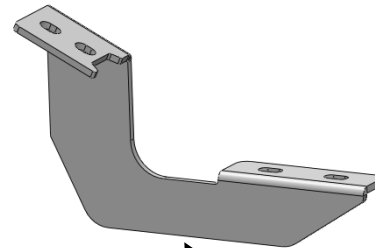
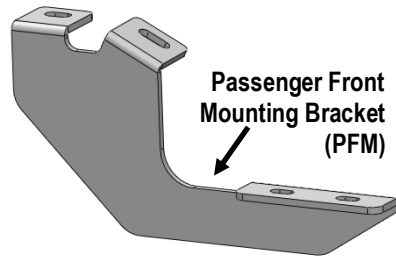
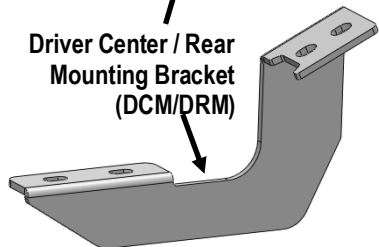
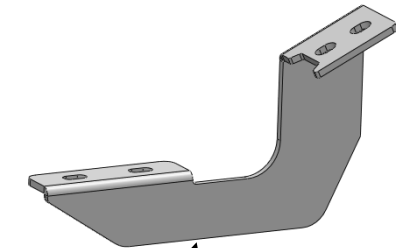
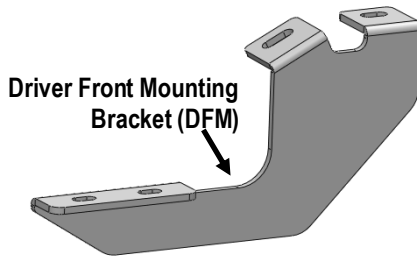
Fastener Size	Tightening Torque (ft-lbs)	Required
6mm	6-7	X
8mm	16-18	√
10mm	31-32	X
12mm	56-58	X
14mm	92-94	X

PART LIST

Driver Side Step Bar

Front
↑

Passenger Side Step Bar



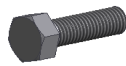
Note: *Driver Center & Rear Mounting Brackets Are Universal
*Passenger Center & Rear Mounting Brackets Are Universal

Customer Support: info@iboardauto.com



Hardware Package A (For Bucket Installation)

Item	QTY	Description	Item	QTY	Description
1#	12	M8X1.25-25mm Hex Bolts	3#	12	M8 Lock Washers
2#	12	M8 Flat Washers			



1#



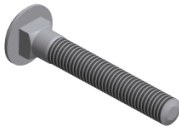
2#



3#

Hardware Package B (For Step Bar Installation)

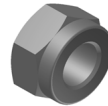
Item	QTY	Description	Item	QTY	Description
1#	12	M8X1.25-35mm Carriage Bolts	3#	12	M8 Nylon Lock Nuts
2#	12	M8 Large Flat Washers	4#	6	Sliders (Packed with Mounting Brackets)



1#



2#



3#

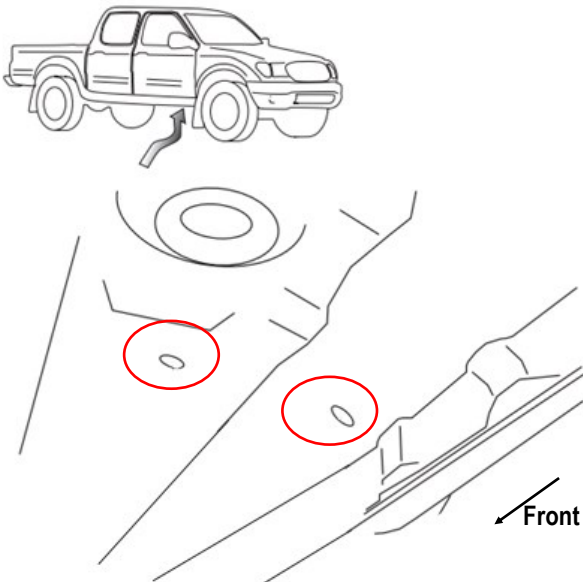


4#

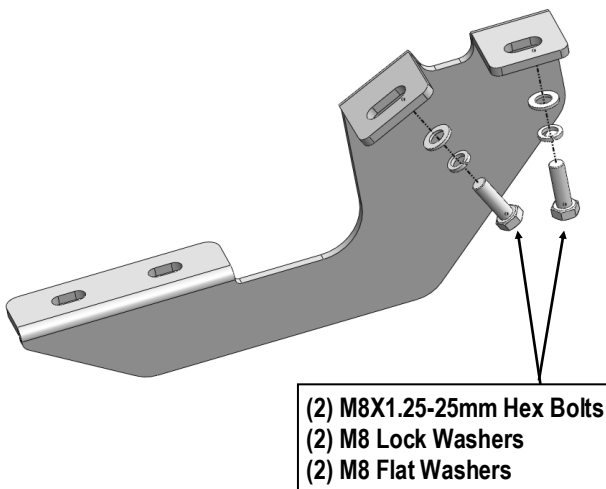


STEP 1

Starting on the passenger side front of the vehicle, (**Fig 1**). Select the Passenger Front Mounting Bracket (**PFM**), attach the Mounting Bracket with (2) M8X1.25-25mm Hex Bolts, (2) M8 Lock Washers and (2) M8 Flat Washers, (**Fig 2**). Do not fully tighten hardware at this time.



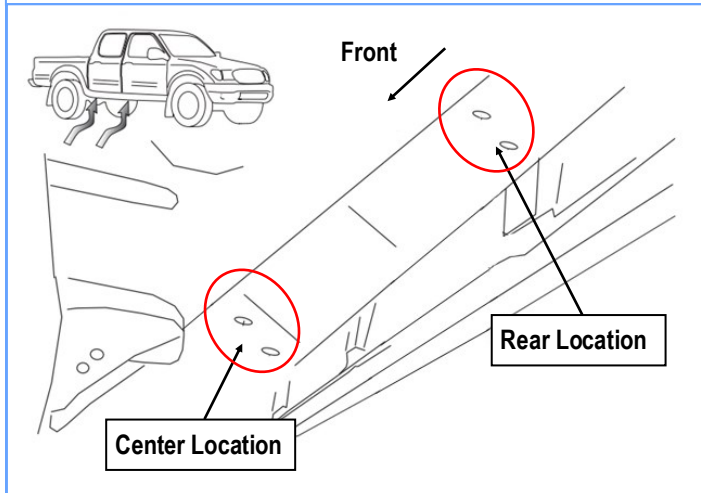
(Fig 1) Passenger Front Mounting Location



(Fig 2) Passenger Front Mounting Bracket Installation

STEP 2

Next, move to the passenger side center & rear mounting locations, (**Fig 3**). Repeat **Step 1** to install the Passenger Center Mounting Bracket (**PCM/PRM**) & Passenger Rear Mounting Bracket (**PCM/PRM**). Do not fully tighten hardware at this time. **Note:** Passenger Center & Rear Mounting Brackets are universal.



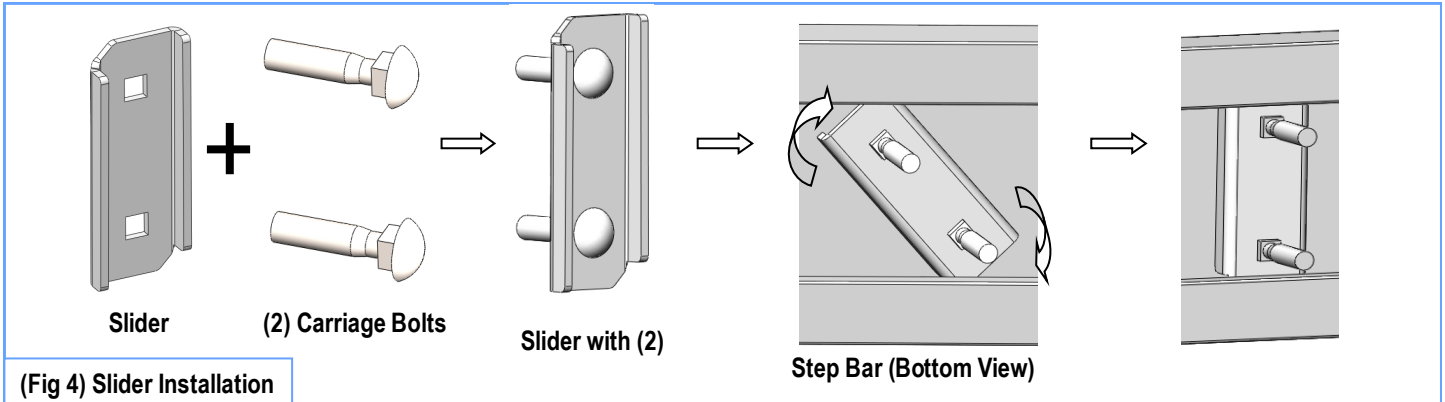
(Fig 3) Passenger Center & Rear Mounting Locations

STEP 3

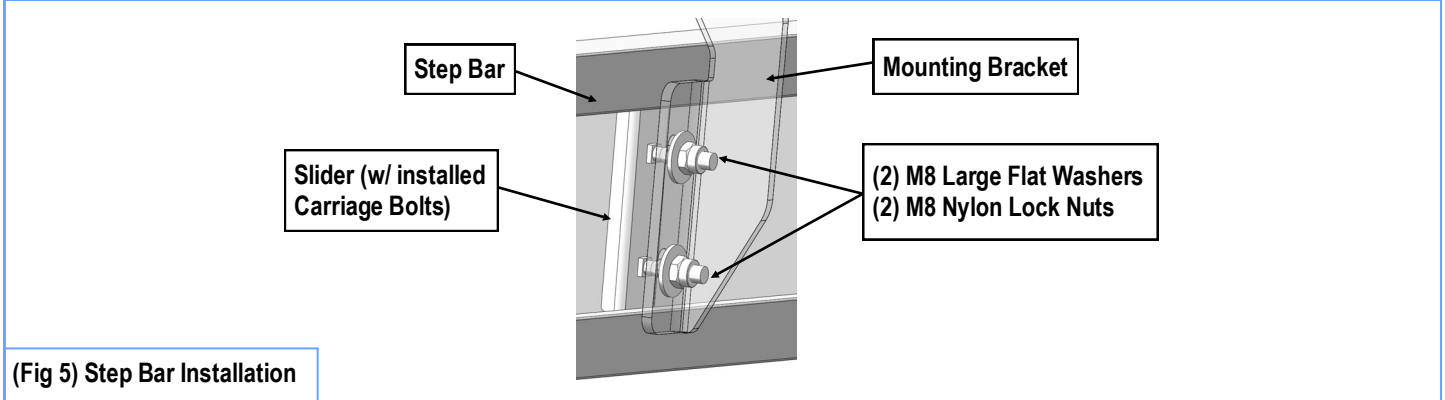
Once all (3) Passenger side mounting brackets are installed, then proceed to the Step Bar installation. (**Figs 4 & 5**)

- (1) Select (1) Slider and (2) M8X1.25-35mm Carriage Bolts;
- (2) Install (2) M8X1.25-35mm Carriage Bolts in (1) Slider.
- (3) Slide the Slider (with carriage bolts) to the **Step Bar**.
- (4) Repeat to install the other (2) sliders to the step bar.
- (5) Attach the Step Bar (with the Sliders) onto the installed mounting brackets. Position the Sliders to the installed brackets. Secure the Step Bar to the installed Brackets by using (6) M8 Large Flat Washers and (6) M8 Nylon Lock Nuts and (3) Sliders, (**Fig 5**). Do not fully tighten hardware at this time.

Note: The Sliders are packed with the Mounting Brackets. Level and adjust the Step Bar and fully tighten all hardware. Repeat **Steps 1-3** for the other side Step Bar installation. **The installation is completed!!!**



(Fig 4) Slider Installation



(Fig 5) Step Bar Installation

Attention

Do periodic inspections to the installation to make sure that all hardware is secure and tight.
In order to protect your bars/boards, please use mild soap/non-abrasive products for cleaning only.