

iBoard®



Scan for
Installation Video

iBoard® by APS

PART#: IB-P054Y&H

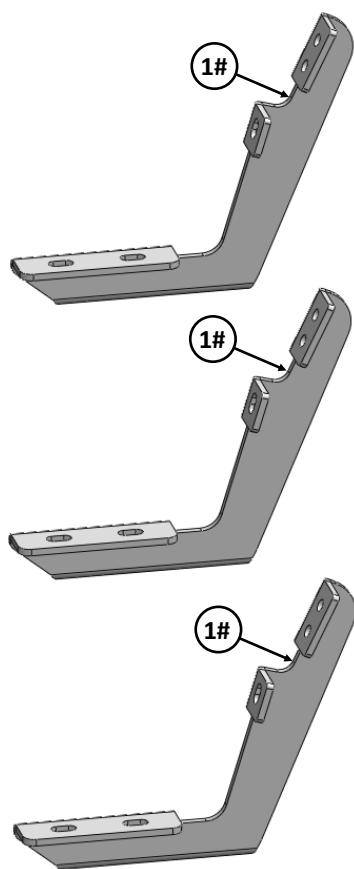
READ INSTRUCTIONS CAREFULLY BEFORE STARTING INSTALLATION. REMOVE CONTENTS FROM BOX AND VERIFY ALL PARTS ARE PRESENT. ASSISTANCE IS RECOMMENDED.

*ROCKER PANEL MOUNT
*DRILLING IS REQUIRED

Fastener Size	Tightening Torque (ft-lbs)	Required
6mm	6-7	√
8mm	16-18	√
10mm	31-32	X
12mm	56-58	X
14mm	92-94	X

PART LIST

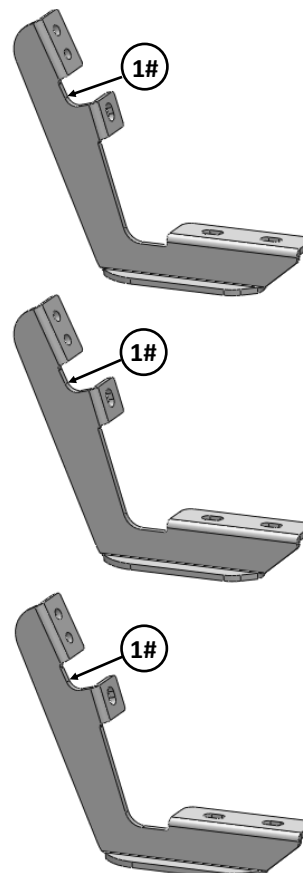
Driver Side Step Bar



Front



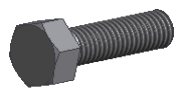
Passenger Side Step Bar



Customer Support: info@iboardauto.com



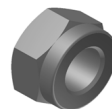
Hardware Package A (For Bracket Installation)					
Item	QTY	Description	Item	QTY	Description
1#	6	Mounting Brackets	4#	6	M8 Nylon Lock Nuts
2#	6	M8X1.25-20mm Hex Bolts	5#	12	ST6.3-22mm Hex Flange Self Tapping Screws
3#	12	M8 Flat Washers			



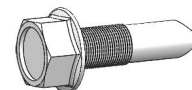
2 #



3 #

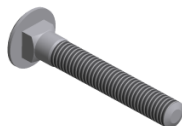


4 #



5 #

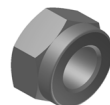
Hardware Package B (For Step Bar Installation)					
Item	QTY	Description	Item	QTY	Description
1#	12	M8X1.25-35mm Carriage Bolts	3#	12	M8 Nylon Lock Nuts
2#	12	M8 Large Flat Washers	4#	6	Sliders (Packed with Mounting Brackets)



1 #



2 #



3 #



4 #



STEP 1

Starting on the Driver side of the vehicle. Drilling (3) 8mm holes in pinch weld as shown (Fig 1).

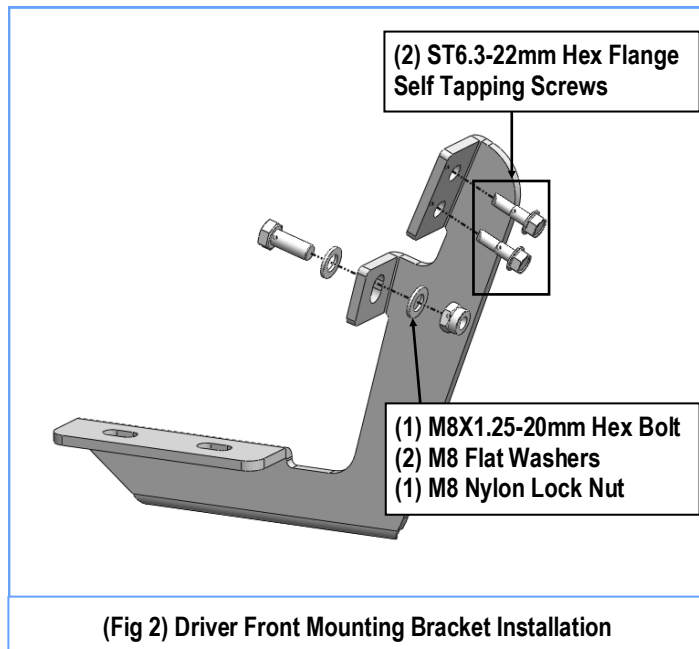
STEP 2

Select (1) Mounting Bracket, attach the Mounting Bracket to the drilled holes on driver side front mounting location.

Use the bracket as a template, mark and drill the upper two 5mm holes on the rocker panel.

Secure the upper mounting holes of the bracket to the rocker panel with (2) ST6.3-22mm Hex Flange Self Tapping Screws.

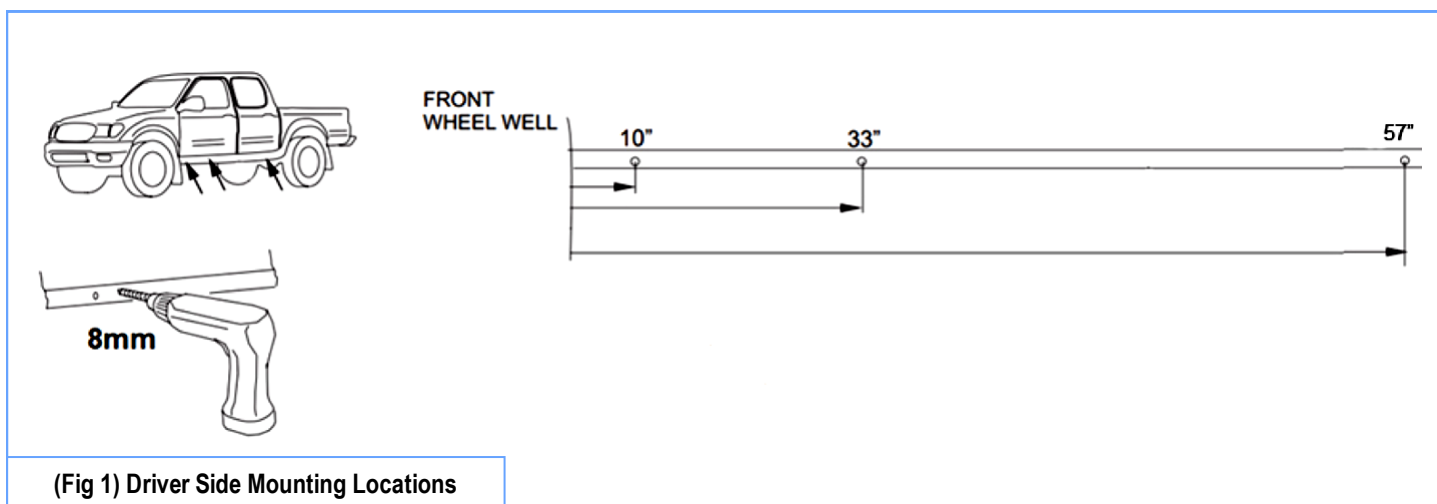
And attach the lower mounting hole to the pinch weld with (1) M8X1.25-20mm Hex Bolts, (2) M8 Flat Washers and (1) M8 Nylon Lock Nuts (Fig 2). Do not fully tighten at this time.



STEP 3

Repeat **Steps 1-2** for the other Mounting Brackets installation. Do not fully tighten hardware at this time.

Note: (6) Mounting Brackets are Universal.





STEP 4

Once all (3) Driver side mounting brackets are installed, then proceed to the Step Bar installation. (Figs 3 & 4)

- (1) Select (1) Slider and (2) M8X1.25-35mm Carriage Bolts;
- (2) Install (2) M8X1.25-35mm Carriage Bolts in (1) Slider.
- (3) Slide the Slider (with carriage bolts) to the **Step Bar**.
- (4) Repeat to install the other (2) sliders to the step bar.
- (5) Attach the Step Bar (with the Sliders) onto the installed mounting brackets. Position the Sliders to the installed brackets. Secure the Step Bar to the installed Brackets by using (6) M8 Large Flat Washers and (6) M8 Nylon Lock Nuts and (3) Sliders, (Fig 4). Do not fully tighten hardware at this time.

Note: The Sliders are packed with the Mounting Brackets.

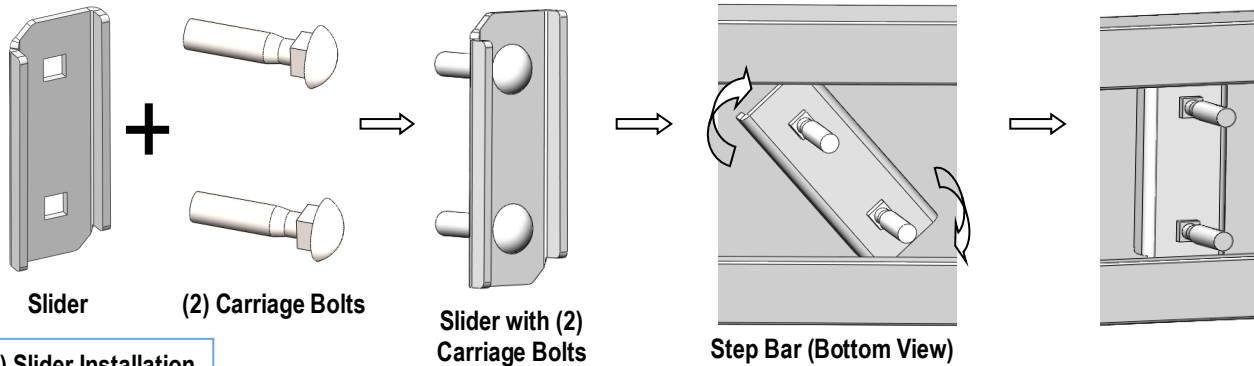
Level and adjust the Step Bar and fully tighten all hardware.

Repeat **Steps 1-4** for the other side Step Bar installation. **The installation is completed!!!**

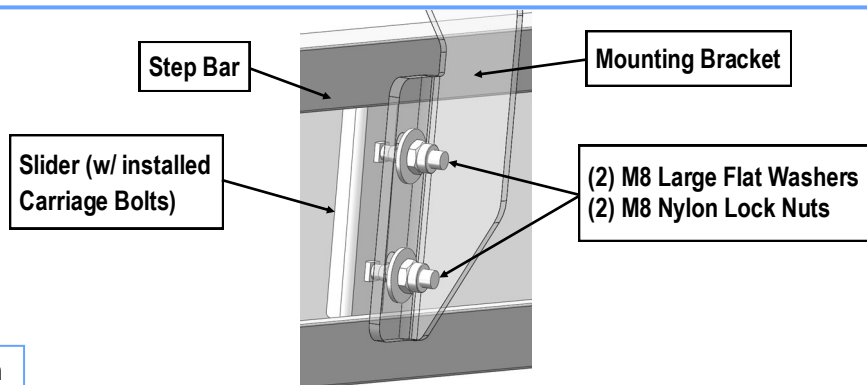
Attention

Do periodic inspections to the installation to make sure that all hardware is secure and tight.

In order to protect your bars/boards, please use mild soap/non-abrasive products for cleaning only.



(Fig 3) Slider Installation



(Fig 4) Step Bar Installation