

# iBoard®



Scan for  
Installation Video

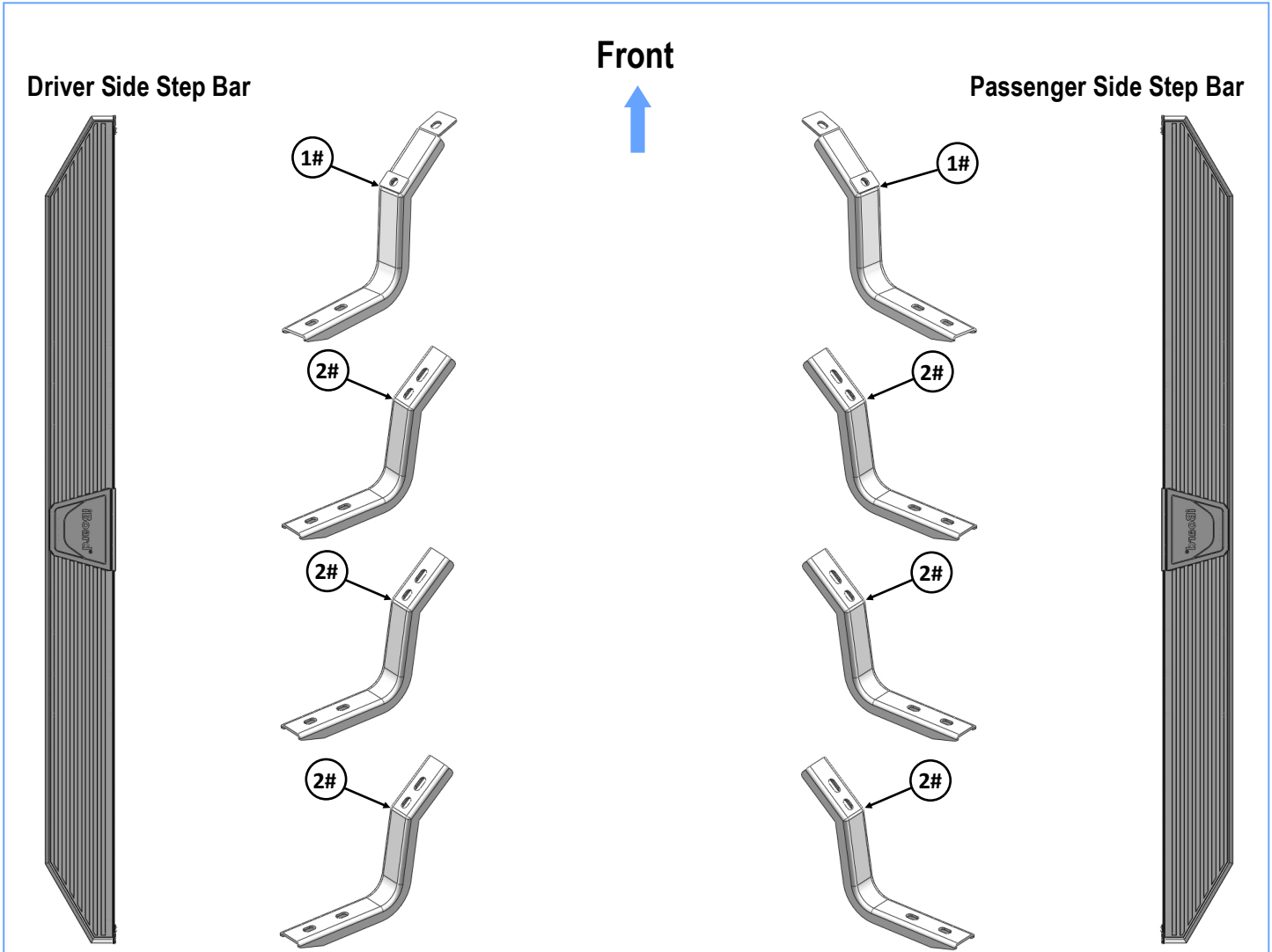
## iBoard® by APS

PART#: IB-P012Y&H

READ INSTRUCTIONS CAREFULLY BEFORE STARTING INSTALLATION. REMOVE CONTENTS FROM BOX AND VERIFY ALL PARTS ARE PRESENT. ASSISTANCE IS RECOMMENDED.

\*ROCKER PANEL MOUNT  
\*NO DRILLING REQUIRED

Fastener Size	Tightening Torque (ft-lbs)	Required
6mm	6-7	X
8mm	16-18	√
10mm	31-32	X
12mm	56-58	X
14mm	92-94	X



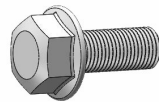
Customer Support: [info@iboardauto.com](mailto:info@iboardauto.com)



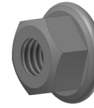
Scan for  
Installation Video

## Hardware Package A (For Bracket Installation)

Item	QTY	Description	Item	QTY	Description
1#	2	Driver / Passenger Front Mounting Brackets	3#	2	M8X1.25-30mm Hex Flange Bolts
2#	6	Mounting Brackets	4#	6	M8 Hex Flange Nuts



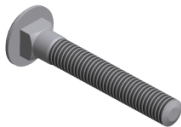
3 #



4 #

## Hardware Package B (For Step Bar Installation)

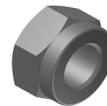
Item	QTY	Description	Item	QTY	Description
1#	16	M8X1.25-35mm Carriage Bolts	3#	16	M8 Nylon Lock Nuts
2#	16	M8 Large Flat Washers	4#	8	Sliders (Packed with Mounting Brackets)



1 #



2 #



3 #



4 #



## STEP 1

Starting on the driver side front of the vehicle, (**Fig 1**). Remove existing bolts as shown, (**Fig 1**).

Select the Driver Front Mounting Bracket, install with (1) M8X1.25-30mm Hex Flange Bolt and (1) Existing Bolt, (**Fig 2**). Do not fully tighten hardware at this time.

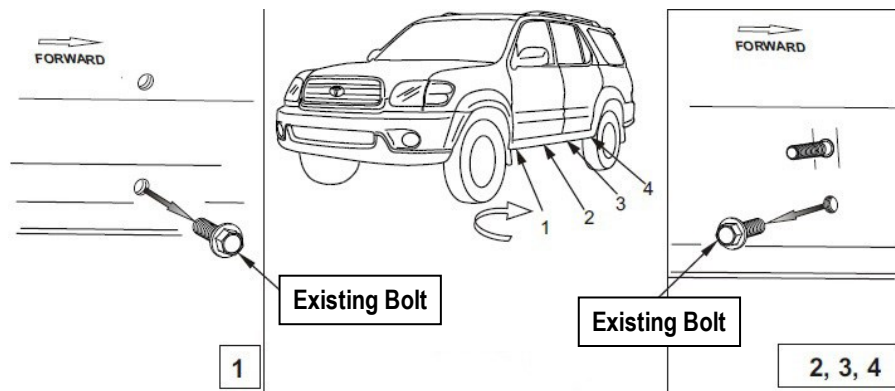
**Note:** Driver & Passenger Front Mounting Bracket are universal.

## STEP 2

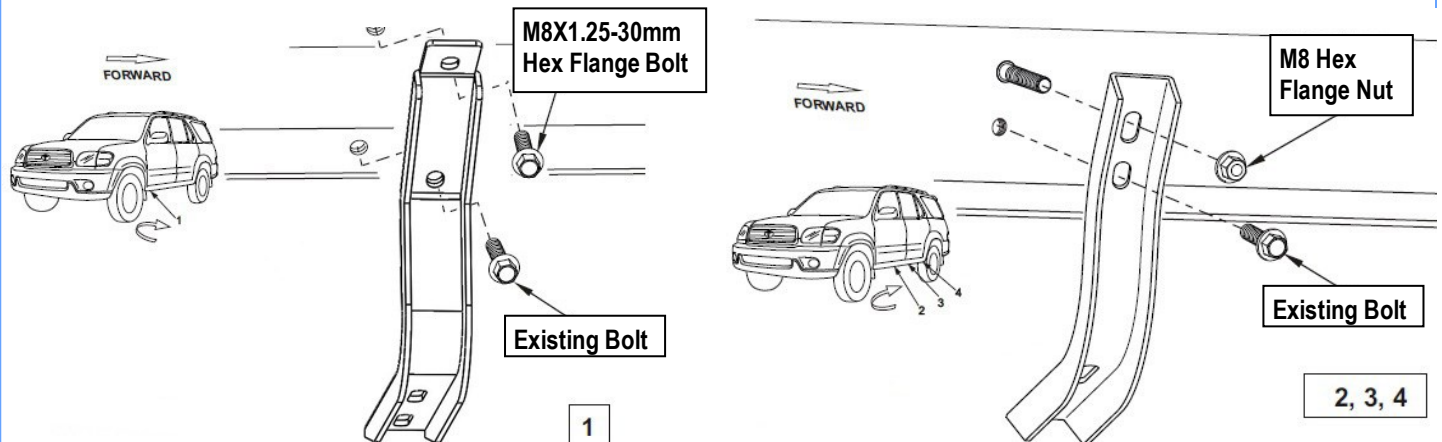
Next, move to the driver side 2nd & 3rd & 4th mounting locations, (**Fig 1**). Repeat **Step 1** to remove existing bolts as shown, (**Fig 1**).

Select (1) Mounting Bracket, attach the Mounting Bracket with (1) M8 Hex Flange Nut and (1) Existing Bolt, (**Fig 3**). Do not fully tighten hardware at this time.

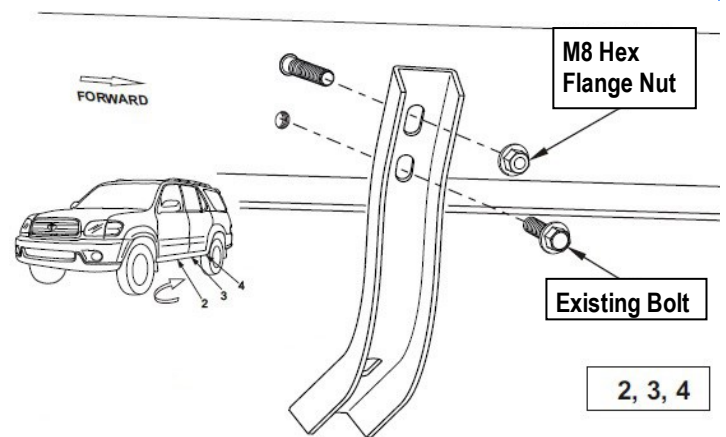
**Note:** (6) Mounting Brackets are universal.



(Fig 1) Driver Front Mounting Location



(Fig 2) Driver Front Mounting Bracket Installation



(Fig 3) Driver 2nd & 3rd & 4th Mounting Bracket Installation



## STEP 4

Once all (4) Driver side mounting brackets are installed, then proceed to the Step Bar installation. (Figs 4 & 5)

- (1) Select (1) Slider and (2) M8X1.25-35mm Carriage Bolts;
- (2) Install (2) M8X1.25-35mm Carriage Bolts in (1) Slider.
- (3) Slide the Slider (with carriage bolts) to the **Step Bar**.
- (4) Repeat to install the other (3) sliders to the step bar.
- (5) Attach the Step Bar (with the Sliders) onto the installed mounting brackets. Position the Sliders to the installed brackets. Secure the Step Bar to the installed Brackets by using (8) M8 Large Flat Washers and (8) M8 Nylon Lock Nuts and (4) Sliders, (Fig 5). Do not fully tighten hardware at this time.

**Note:** The Sliders are packed with the Mounting Brackets.

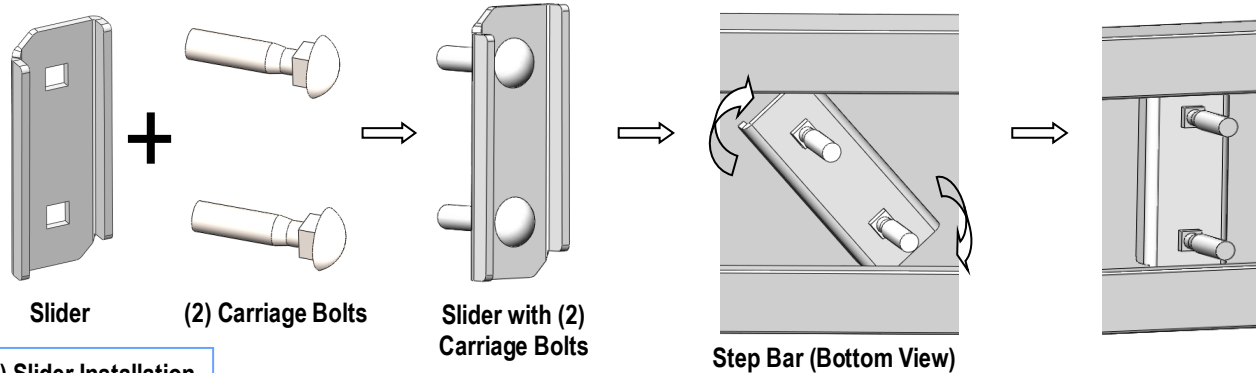
Level and adjust the Step Bar and fully tighten all hardware.

Repeat **Steps 1-4** for the other side Step Bar installation. **The installation is completed!!!**

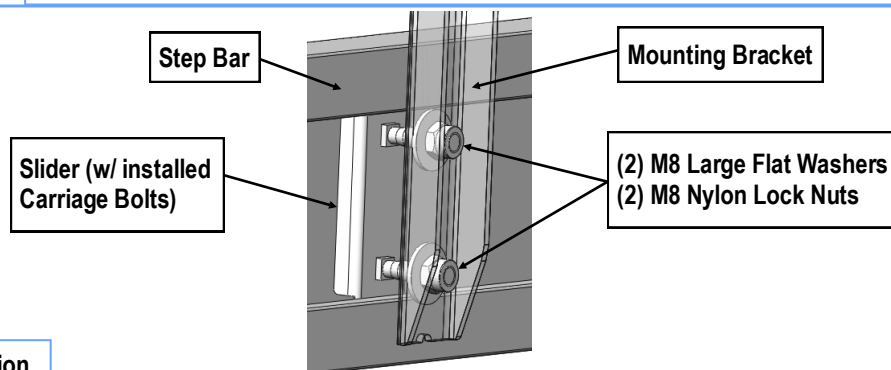
### Attention

Do periodic inspections to the installation to make sure that all hardware is secure and tight.

In order to protect your bars/boards, please use mild soap/non-abrasive products for cleaning only.



(Fig 4) Slider Installation



(Fig 5) Step Bar Installation