



**PART#: IB-P358Y&H**

# iBoard® Series

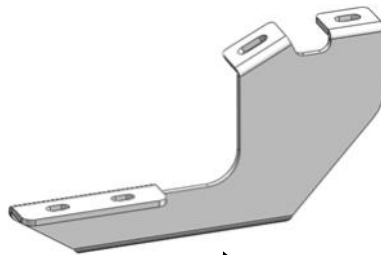
READ INSTRUCTIONS CAREFULLY BEFORE STARTING INSTALLATION. REMOVE CONTENTS FROM BOX AND VERIFY ALL PARTS ARE PRESENT. ASSISTANCE IS RECOMMENDED.

\*ROCKER PANEL MOUNT  
\*NO DRILLING REQUIRED

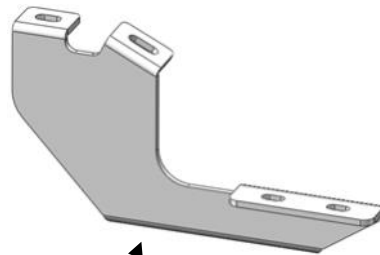
Fastener Size	Tightening Torque (ft-lbs)	Required
6mm	6-7	X
8mm	16-18	√
10mm	31-32	X
12mm	56-58	X
14mm	92-94	X

## PART LIST

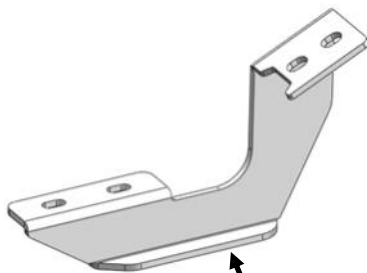
Front  
↑



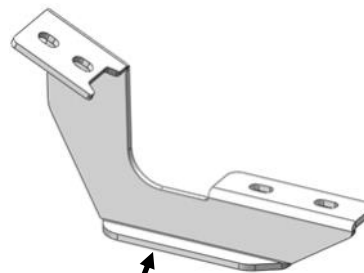
Driver Front Mounting Bracket (DFM)



Passenger Front Mounting Bracket (PFM)



Driver Rear Mounting Bracket (DRM)



Passenger Rear Mounting Bracket (PRM)





Scan for  
Installation Video

**Hardware Package A (For Bracket Installation)**

Item	QTY	Description	Item	QTY	Description
1#	8	M8X1.25-25mm Hex Bolts	3#	8	M8 Lock Washers
2#	8	M8 Flat Washers			



1#



2#



3#

**Hardware Package B (For Step Bar Installation)**

Item	QTY	Description	Item	QTY	Description
1#	8	M8X1.25-35mm Carriage Bolts	3#	8	M8 Nylon Lock Nuts
2#	8	M8 Large Flat Washers	4#	4	Sliders (Packed with Mounting Brackets)



1 #



2 #



3 #

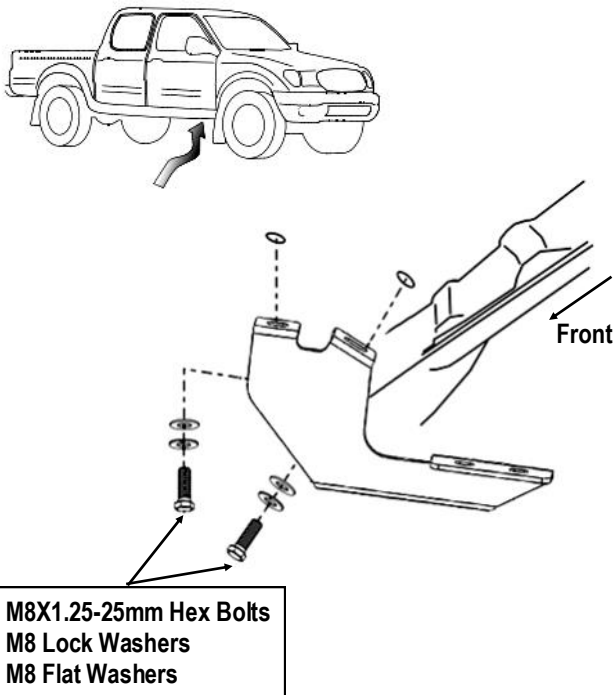


4 #



## STEP 1

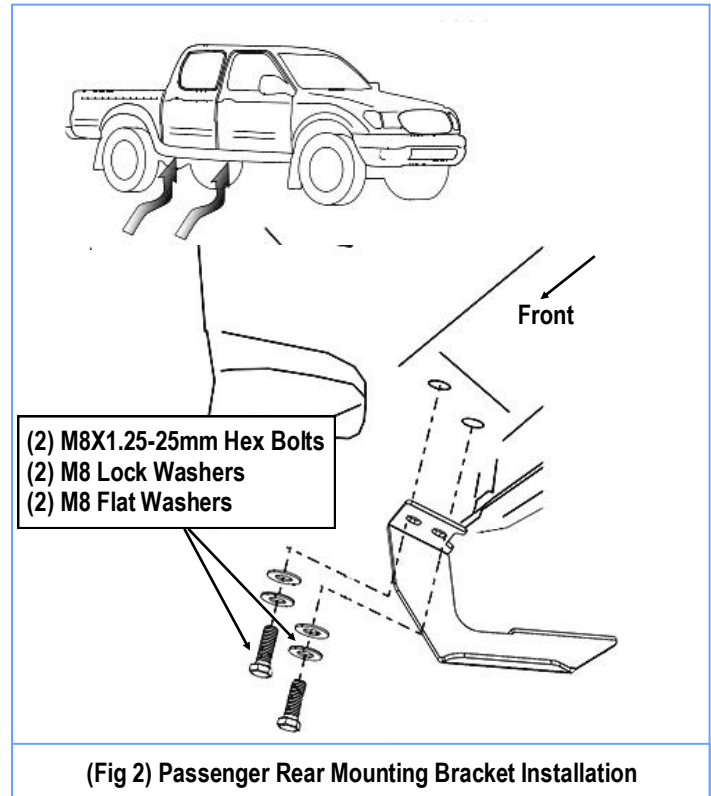
Start installation from the passenger side of the vehicle. Select (1) Passenger Front Mounting Bracket (**PFM**), attach to the front mounting location with (2) M8X1.25-25mm Hex Bolts, (2) M8 Flat Washers and (2) M8 Lock Washers, (**Fig 1**). Do not fully tighten at this time.



(Fig 1) Passenger Front Mounting Bracket Installation

## STEP 2

Move to the passenger side rear of the vehicle. Repeat **Step 1** for the (2) Passenger Rear Mounting Bracket (**PRM**) installation, (**Fig 2**). Do not fully tighten at this time.



(Fig 2) Passenger Rear Mounting Bracket Installation

## STEP 3

Once all (2) Passenger side mounting brackets are installed, then proceed to the Step Bar installation. (**Figs 3 & 4**)

- (1) Select (1) Slider and (2) M8X1.25-35mm Carriage Bolts;
- (2) Install (2) M8X1.25-35mm Carriage Bolts in (1) Slider.
- (3) Slide the Slider (with carriage bolts) to the **Step Bar**.

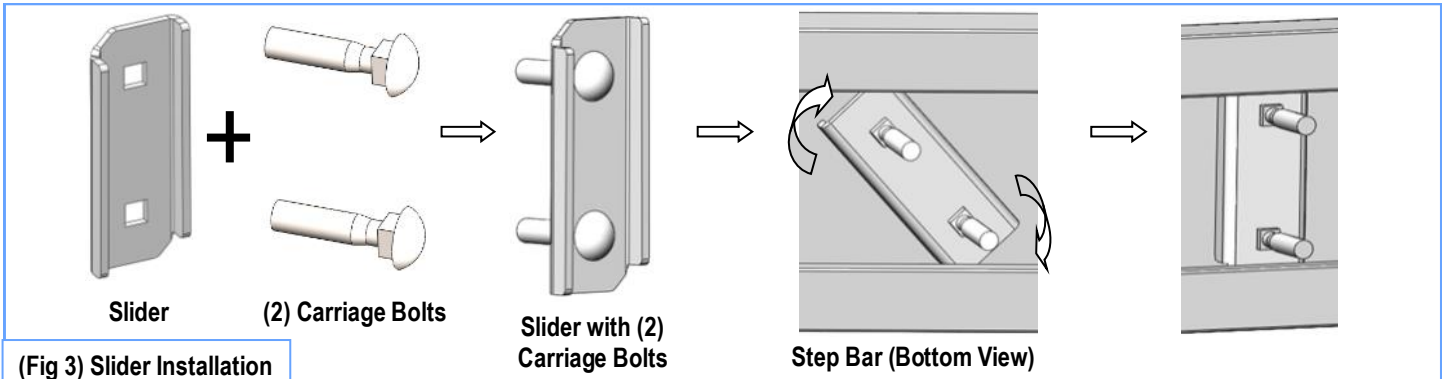
- (4) Repeat to install the other (1) slider to the step bar.

- (5) Attach the Step Bar (with the Sliders) onto the installed mounting brackets. Position the Sliders to the installed brackets. Secure the Step Bar to the installed Brackets by using (4) M8 Large Flat Washers and (4) M8 Nylon Lock Nuts and (2) Sliders, (**Fig 4**). Do not fully tighten hardware at this time.

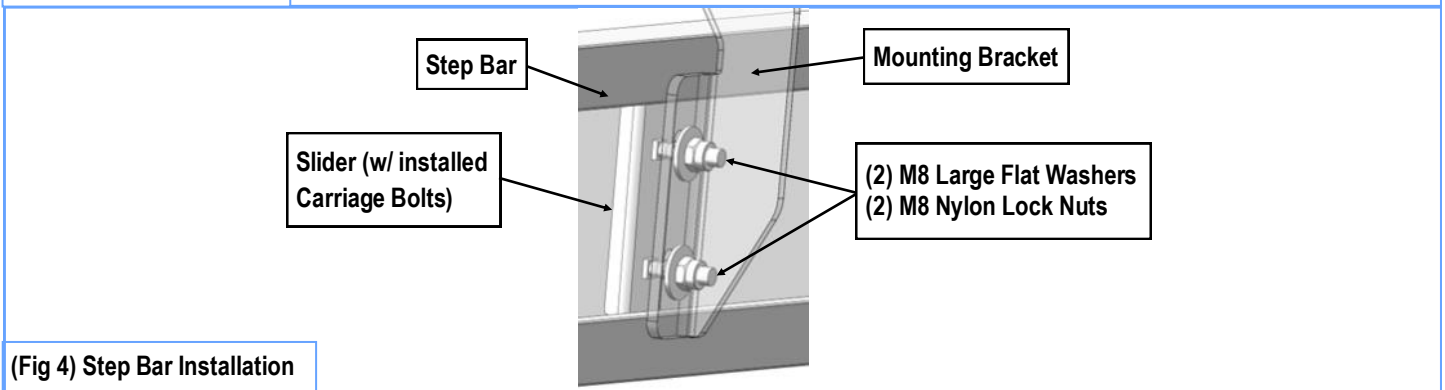
**Note:** The Sliders are packed with the Mounting Brackets.

Level and adjust the Step Bar and fully tighten all hardware.

Repeat **Steps 1-3** for the other side Step Bar installation. **The installation is completed!!!**



(Fig 3) Slider Installation



(Fig 4) Step Bar Installation

#### Attention

Do periodic inspections to the installation to make sure that all hardware is secure and tight.  
In order to protect your bars/boards, please use mild soap/non-abrasive products for cleaning only.