

iBoard®



Scan for
Installation Video

iBoard® by APS

PART#: IB-P101Y&H

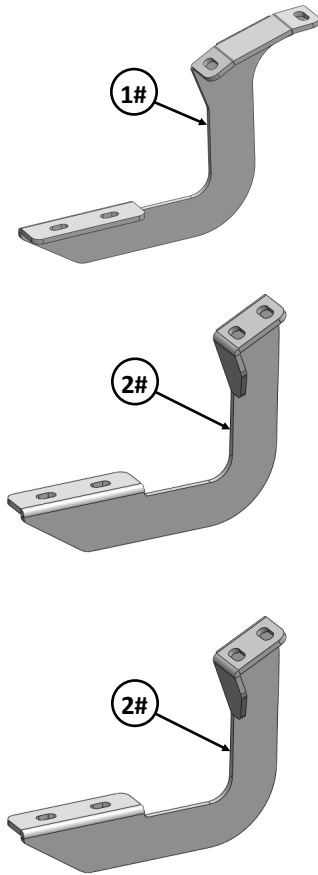
READ INSTRUCTIONS CAREFULLY BEFORE STARTING INSTALLATION. REMOVE CONTENTS FROM BOX AND VERIFY ALL PARTS ARE PRESENT. ASSISTANCE IS RECOMMENDED.

*ROCKER PANEL MOUNT
*NO DRILLING REQUIRED

Fastener Size	Tightening Torque (ft-lbs)	Required
6mm	6-7	X
8mm	16-18	√
10mm	31-32	X
12mm	56-58	X
14mm	92-94	X

PART LIST

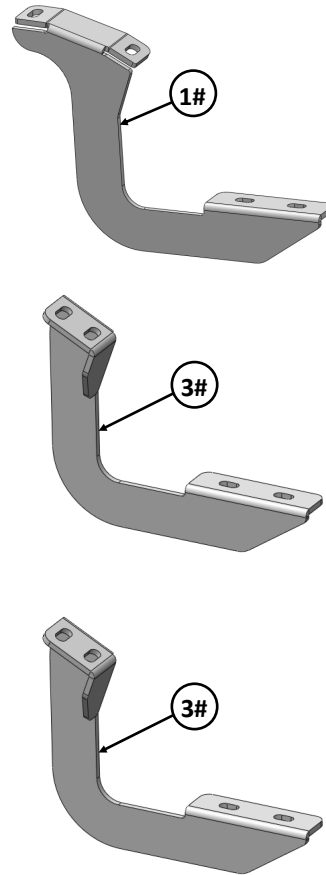
Driver Side Step Bar



Front



Passenger Side Step Bar





Mounting Bracket List					
Item	QTY	Description	Item	QTY	Description
1#	2	Driver / Passenger Front Mounting Brackets	3#	2	Passenger Center / Rear Mounting Brackets
2#	2	Driver Center / Rear Mounting Brackets			

Hardware Package A (For Bracket Installation)					
Item	QTY	Description	Item	QTY	Description
1#	12	M8X1.25-40mm Hex Bolts	3#	12	M8 Lock Washers
2#	12	M8 Large Flat Washers			



1#

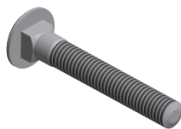


2#



3#

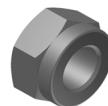
Hardware Package B (For Step Bar Installation)					
Item	QTY	Description	Item	QTY	Description
1#	12	M8X1.25-35mm Carriage Bolts	3#	12	M8 Nylon Lock Nuts
2#	12	M8 Large Flat Washers	4#	6	Sliders (Packed with Mounting Brackets)



1 #



2 #



3 #



4 #

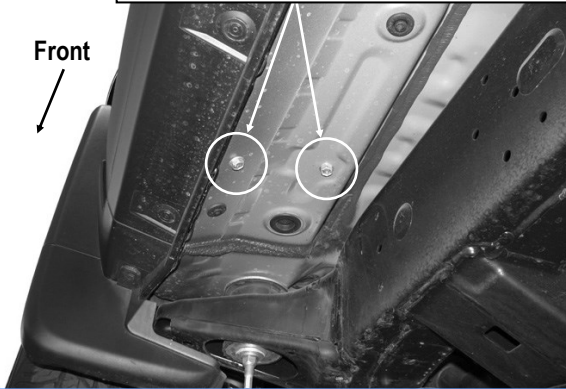


STEP 1

Start installation from the Driver Side Front of the vehicle. Remove the (2) factory hex bolts or plastic plugs from the threaded holes at the bottom of the body panel, (Figs 1 & 2).

Remove (2) Factory Hex Bolts if equipped

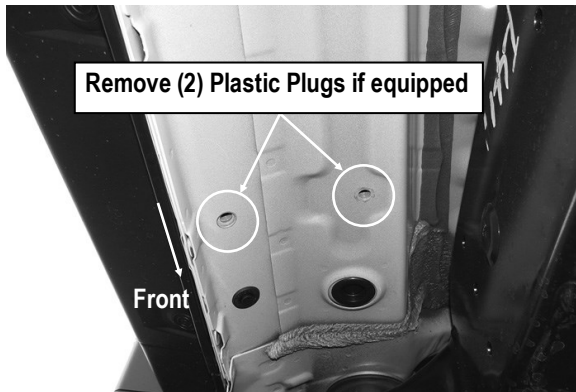
Front



(Fig 1) Driver Side Front Mounting Location

Remove (2) Plastic Plugs if equipped

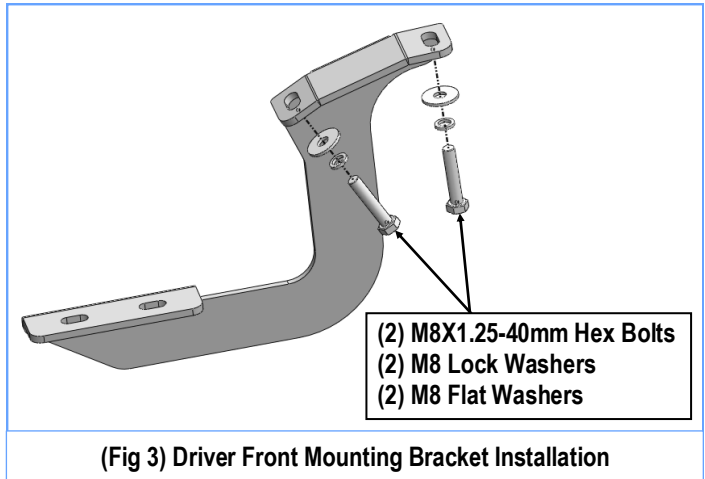
Front



(Fig 2) Driver Side Front Mounting Location

STEP 2

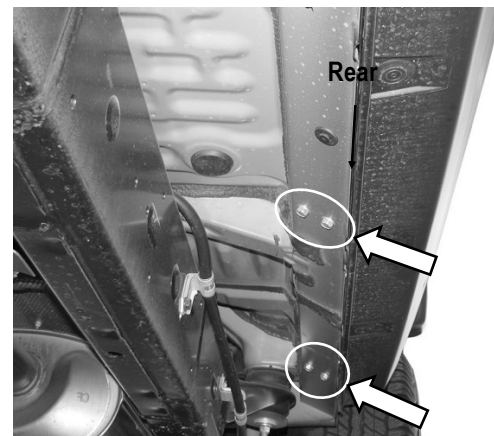
Select (1) Driver Front Mounting Bracket. Line up the mounting holes of the Bracket with the threaded holes on the body panel. Bolt the Driver Front Mounting Bracket to the vehicle using the included (2) M8X1.25-40mm Hex Bolts, (2) M8 Lock Washers and (2) M8 Large Flat Washers, (Fig 3). Do not fully tighten hardware at this time.



(Fig 3) Driver Front Mounting Bracket Installation

STEP 3

Move to the Driver Side Center & Rear Mounting Locations, (Fig 4). Repeat Steps 1-2 to bolt the Driver Center/Rear Mounting Brackets to the factory threaded holes. Do not fully tighten hardware at this time.



(Fig 4) Driver Side Center & Rear Mounting Locations



STEP 4

Once all (3) Driver side mounting brackets are installed, then proceed to the Step Bar installation. (**Figs 5 & 6**)

- (1) Select (1) Slider and (2) M8X1.25-35mm Carriage Bolts;
- (2) Install (2) M8X1.25-35mm Carriage Bolts in (1) Slider.
- (3) Slide the Slider (with carriage bolts) to the **Step Bar**.
- (4) Repeat to install the other (2) sliders to the step bar.
- (5) Attach the Step Bar (with the Sliders) onto the installed mounting brackets. Position the Sliders to the installed brackets. Secure the Step Bar to the installed Brackets by using (6) M8 Large Flat Washers and (6) M8 Nylon Lock Nuts and (3) Sliders, (**Fig 6**). Do not fully tighten hardware at this time.

Note: The Sliders are packed with the Mounting Brackets.

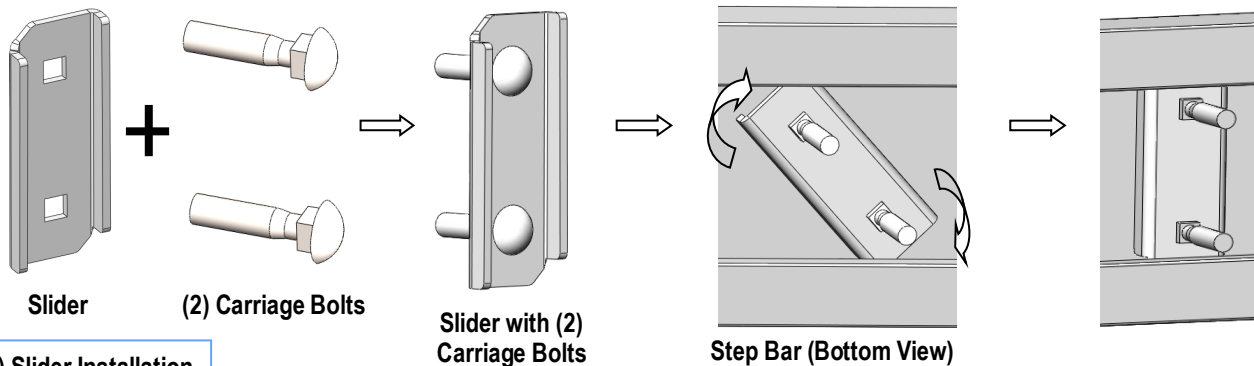
Level and adjust the Step Bar and fully tighten all hardware.

Repeat **Steps 1-4** for the other side Step Bar installation. **The installation is completed!!!**

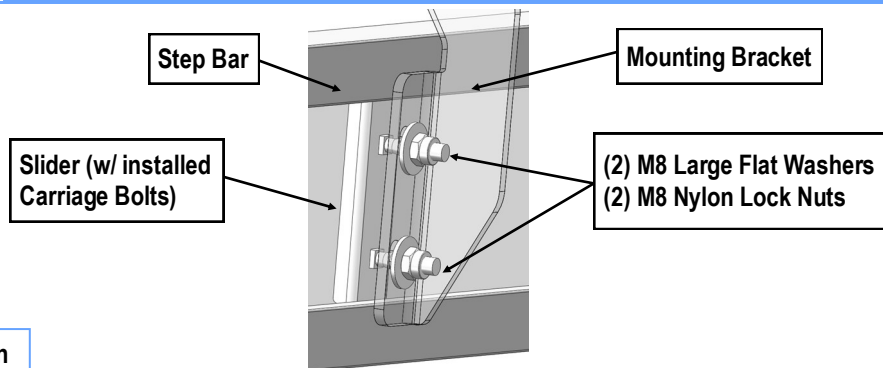
Attention

Do periodic inspections to the installation to make sure that all hardware is secure and tight.

In order to protect your bars/boards, please use mild soap/non-abrasive products for cleaning only.



(Fig 5) Slider Installation



(Fig 6) Step Bar Installation