

# iBoard®



Scan for  
Installation Video

## iBoard® by APS

PART#: IB-229C&H

READ INSTRUCTIONS CAREFULLY BEFORE STARTING INSTALLATION. REMOVE CONTENTS FROM BOX AND VERIFY ALL PARTS ARE PRESENT. ASSISTANCE IS RECOMMENDED.

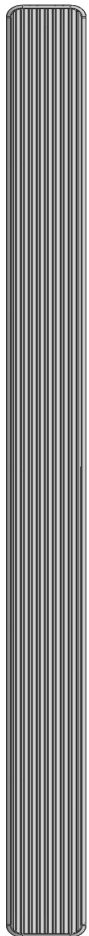
\*ROCKER PANEL MOUNT

\*NO DRILLING REQUIRED / CUTTING IS REQUIRED

Fastener Size	Tightening Torque (ft-lbs)	Required
6mm	6-7	√
8mm	16-18	√
10mm	31-32	√
12mm	56-58	X
14mm	92-94	X

### PART LIST

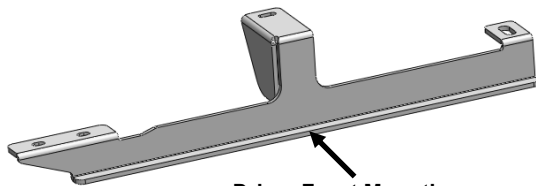
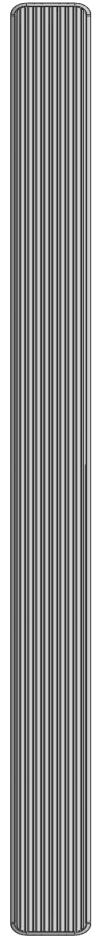
#### Driver Side Step Bar



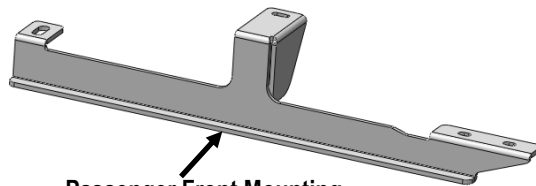
Front



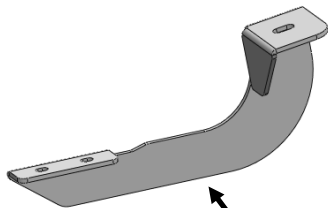
#### Passenger Side Step Bar



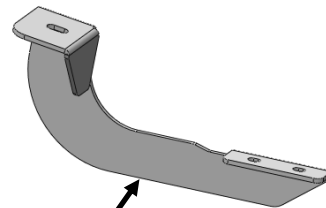
Driver Front Mounting Bracket (DFM)



Passenger Front Mounting Bracket (PFM)



Driver Rear Mounting Bracket (DRM)



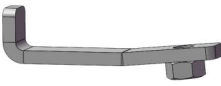
Passenger Rear Mounting Bracket (PRM)


Customer Support: [info@iboardauto.com](mailto:info@iboardauto.com)

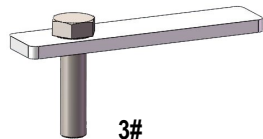



## Hardware Package A (For Bracket Installation)


Item	QTY	Description	Item	QTY	Description
1#	2	M6 Nut Plates	6#	4	M10 Lock Washers
2#	2	M10 T Block Bolts	7#	4	M10 Hex Nuts
3#	2	M10 Bolt Plates	8#	2	M6X1-30mm Hex Bolts
4#	2	M10 Large Flat Washers	9#	2	M6 Large Flat Washers
5#	2	M10 Flat Washers	10#	2	M6 Lock Washers


  
1#

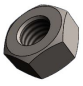
  
2#

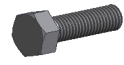
  
3#


  
4#


  
5#

  
6#

  
7#

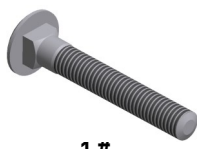
  
8#


  
9#


  
10#

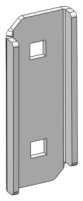
## Hardware Package B (For Stainless Steel Step Bar Installation)

Item	QTY	Description	Item	QTY	Description
1#	8	M8X1.25-35mm Carriage Bolts	3#	8	M8 Nylon Lock Nuts
2#	8	M8 Large Flat Washers	4#	4	Sliders (Packed with Step Bars)

  
1 #

  
2 #

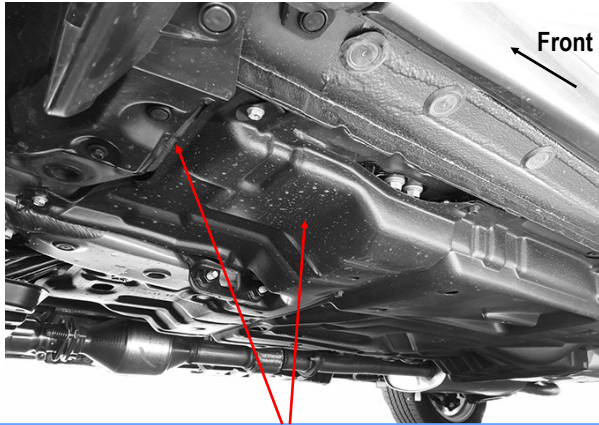
  
3 #

  
4 #



## STEP 1

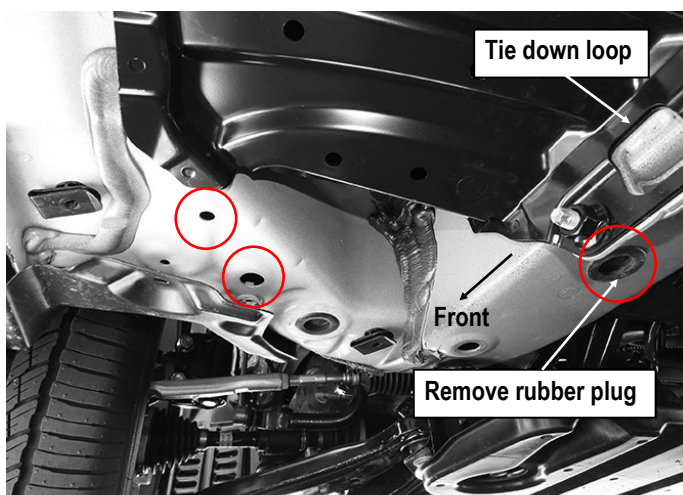
Start installation from the driver side of the vehicle. Remove the front and middle section of the plastic splash guard, (Fig 1). Place the splash guard on a clean, stable work surface.



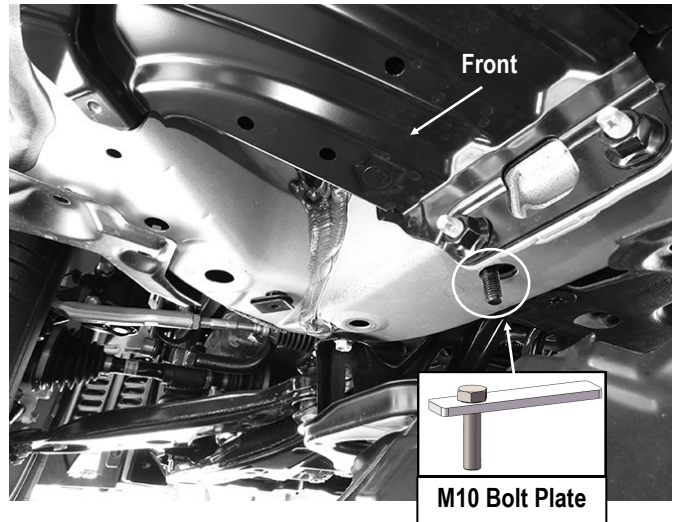
(Fig 1) Temporarily Remove The Driver Side Front And Middle Plastic Covers

## STEP 2

Move to the driver side front mounting location (Fig 2). Remove the rubber plug from the hole closest to the tie down loop. Insert (1) M10 Bolt Plate into the factory hole, (Fig 3).



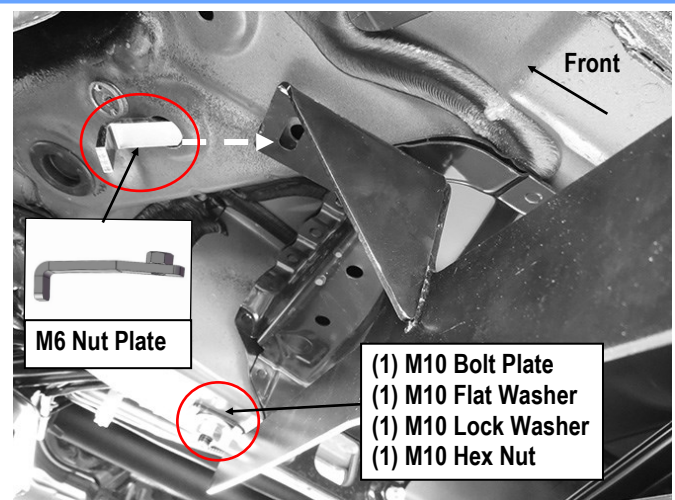
(Fig 2) Driver Side Front Mounting Location



(Fig 3) M10 Bolt Plate Installed

## STEP 3

Next, select the Driver Front Mounting Bracket (DFM). Attach the Bracket to the installed M10 Bolt Plate with (1) M10 Flat Washer, (1) M10 Lock Washer and (1) M10 Hex Nut, (Fig 4). Do not fully tighten hardware at this time.



(Fig 4) Driver Front Mounting Bracket Installation



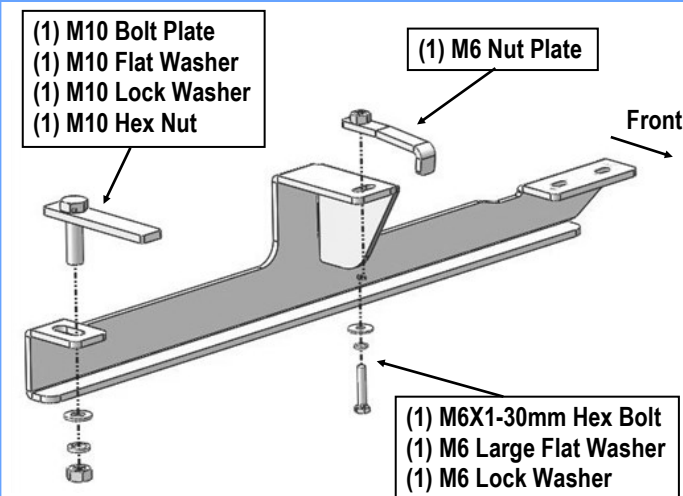
## STEP 4

Line up the mounting tab on the Bracket with the factory hole on the cross member joins the frame rail, **(Figs 2 & 4)**. Insert (1) M6 Nut Plate into the larger inner hole and line up the welded nut on M6 Nut Plate with the hole toward the outside under the mounting tab on the Bracket, **(Figs 4 & 5)**.

Attach the Driver Front Mounting Bracket (DFM) to the M6 Nut Plate with (1) M6X1-30mm Hex Bolt, (1) M6 Lock Washer and (1) M6 Large Flat Washer, **(Fig 6)**. Do not fully tighten hardware at this time.



**(Fig 5)** Insert Nut Plate Into Factory Hole

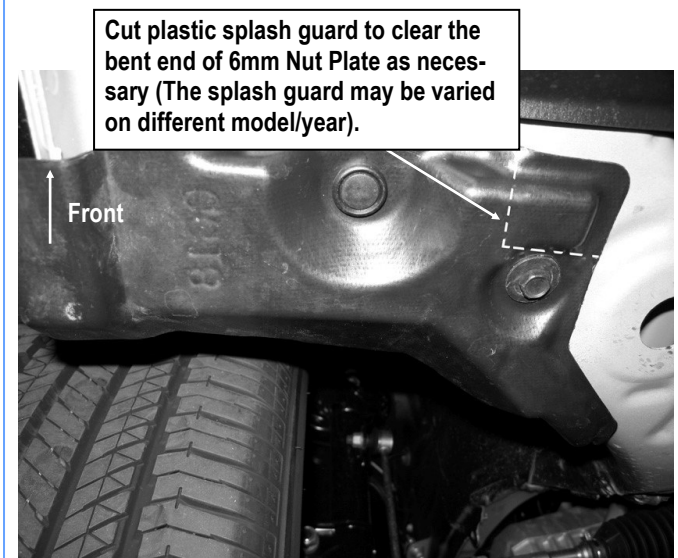


**(Fig 6)** Driver Front Mounting Bracket Installation

## STEP 5

Mark the outline of the location of the Driver Front Mounting Bracket (DFM) onto the bottom of the vehicle for reference if necessary. Temporarily remove the Driver Front Mounting Bracket. Hold the plastic covers up in approximate location against the vehicle. Trace the location of the Bracket onto the plastic cover. Use a hack saw or utility knife to cut out an opening 2" x 3-1/2" on the middle splash guard as pictured, **(Fig 8)**. Cut a 1-1/2" x 1-1/2" opening in the front cover, **(Fig 7)**.

**IMPORTANT:** The trimming area on the plastic splash guard will be varied on different model/years. Suggest hold up the brackets in position to verify the trimming area before cutting the splash guards. Try to cut as little as possible on the splash guard. Reinstall the splash guards using the factory fasteners.

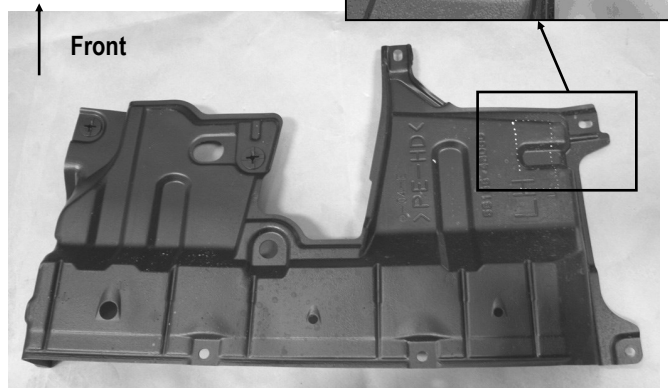
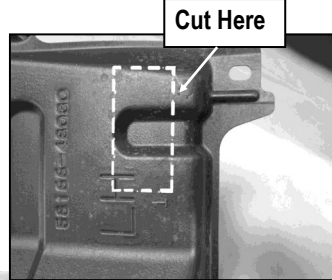


**(Fig 7)** Driver Side Front Plastic Splash Guard Trimming





Cut to clear mounting tab on front Bracket as necessary (The splash guard may be varied on different model/year). Remove front Bracket to reinstall the plastic covers.



(Fig 8) Driver Side Middle Plastic Splash Guard Trimming

## STEP 6

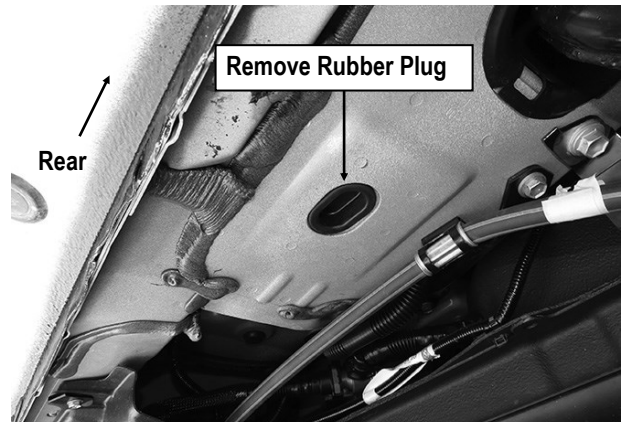
Reinstall the front Bracket as described in **Steps 2—5**. Do not fully tighten hardware at this time.

## STEP 7

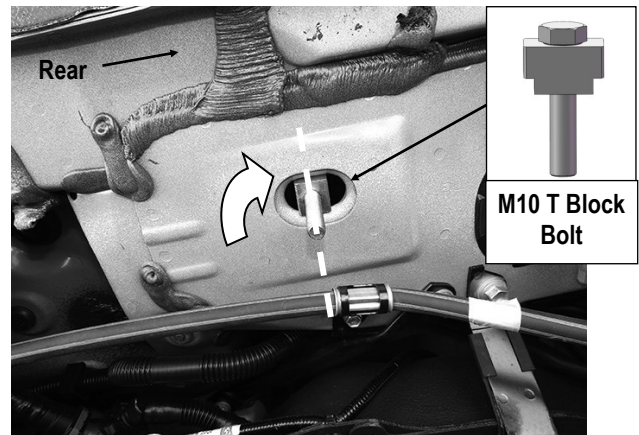
Next, move to the driver side rear mounting location (**Fig 9**). Remove the rubber grommet located in the rear floor panel. Insert (1) M10 T Block Bolt into the factory hole, (**Fig 10**). **NOTE:** Insert M10 T Block Bolt into the hole. Rotate the T Block Bolt to 90-degrees to across the oval hole, (**Fig 10**).

## STEP 8

Select the Driver Rear Mounting Bracket (**DRM**). Attach the rear Bracket to the installed M10 T Block Bolt with the (1) M10 Large Flat Washer, (1) M10 Lock Washer and (1) M10 Hex Nut, (**Fig 11**). Do not fully tighten hardware at this time.

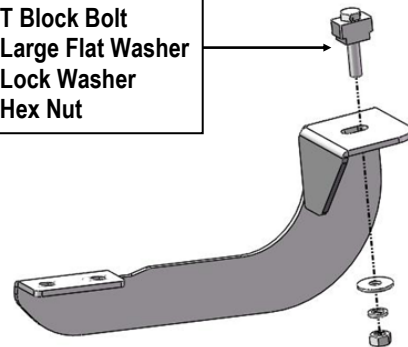


(Fig 9) Driver Side Rear Mounting Location



(Fig 10) M10 T Block Bolt Installed

- (1) M10 T Block Bolt
- (1) M10 Large Flat Washer
- (1) M10 Lock Washer
- (1) M10 Hex Nut



(Fig 11) Driver Rear Mounting Bracket Installation



## STEP 9

Once all (2) Driver side mounting brackets are installed, then proceed to the Step Bar installation. (Figs 12 & 13)

- (1) Select (1) Slider and (2) M8X1.25-35mm Carriage Bolts;
- (2) Install (2) M8X1.25-35mm Carriage Bolts in (1) Slider.
- (3) Slide the Slider (with carriage bolts) to the **Step Bar**.
- (4) Repeat to install the other (1) slider to the step bar.
- (5) Attach the Step Bar (with the Sliders) onto the installed mounting brackets. Position the Sliders to the installed brackets. Secure the Step Bar to the installed Brackets by using (4) M8 Large Flat Washers and (4) M8 Nylon Lock Nuts and (2) Sliders, (Fig 13). Do not fully tighten hardware at this time.

**Note:** The Sliders are packed with the Step Bars.

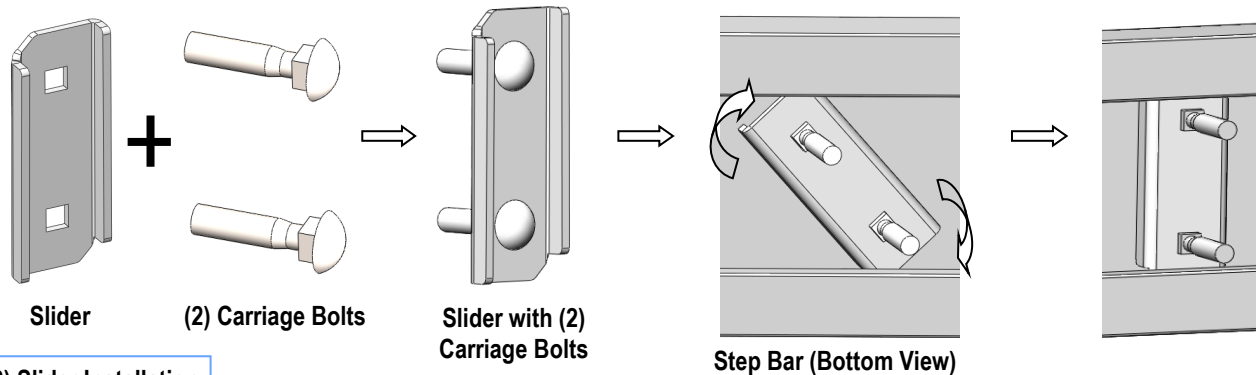
Level and adjust the Step Bar and fully tighten all hardware.

Repeat **Steps 1-9** for the other side Step Bar installation. **The installation is completed!!!**

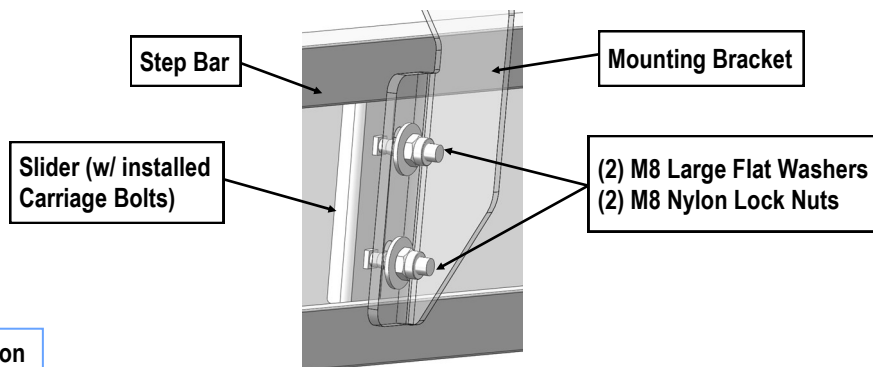
### Attention

**Do periodic inspections to the installation to make sure that all hardware is secure and tight.**

**In order to protect your bars/boards, please use mild soap/non-abrasive products for cleaning only.**



(Fig 12) Slider Installation



(Fig 13) Step Bar Installation