

# iBoard®



Scan for  
Installation Video

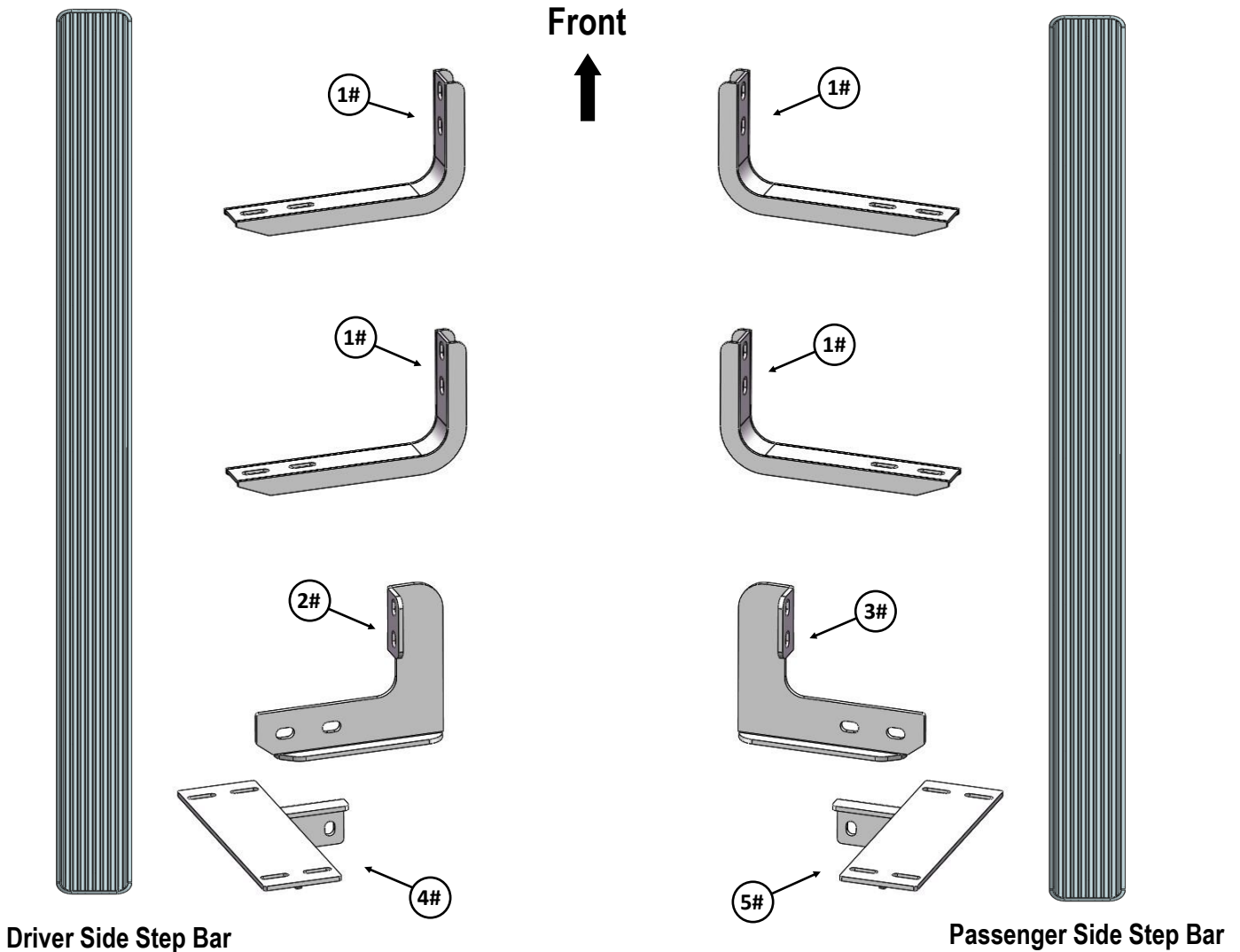
## iBoard® by APS

PART#: IB-095L

READ INSTRUCTIONS CAREFULLY BEFORE STARTING INSTALLATION. REMOVE CONTENTS FROM BOX AND VERIFY ALL PARTS ARE PRESENT. ASSISTANCE IS RECOMMENDED.

\*ROCKER PANEL MOUNT  
\*NO DRILLING REQUIRED

Fastener Size	Tightening Torque (ft-lbs)	Required
6mm	6-7	√
8mm	16-18	√
10mm	31-32	√
12mm	56-58	X
14mm	92-94	X





Customer Support: [info@iboardauto.com](mailto:info@iboardauto.com)

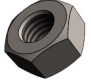



Mounting Bracket List					
Item	QTY	Description	Item	QTY	Description
1#	4	Mounting Brackets	4#	1	Driver Rear Bar Bracket
2#	1	Driver Rear Mounting Bracket	5#	1	Passenger Rear Bar Bracket
3#	1	Passenger Rear Mounting Bracket			


Hardware Package A (For Bracket Installation)					
Item	QTY	Description	Item	QTY	Description
1#	12	M8 Flat Washers	5#	8	M10 Flat Washers
2#	12	M8 Lock Washers	6#	4	M10 Lock Washers
3#	12	M8 Hex Nuts	7#	4	M10 Hex Nuts
4#	4	M10X1.5-30mm Hex Bolts			


 1 #

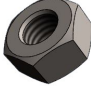
 2 #

 3 #

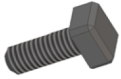
 4 #


 5 #


 6 #

 7 #


Hardware Package B (For Aluminum Step Bar Installation Only, Not Supply to SS. Step Bar)					
Item	QTY	Description	Item	QTY	Description
1#	16	M6X1-20mm Square Head Bolts	3#	16	M6 Nylon Lock Nuts
2#	16	M6 Large Flat Washers			


 1 #


 2 #

 3 #

Hardware Package C (For Stainless Steel Step Bar Installation Only, Not Supply to Aluminum Step Bar)					
Item	QTY	Description	Item	QTY	Description
1#	16	M6X1-20mm Hex Bolts	3#	16	M6 Flat Washers
2#	16	M6 Lock Washers			

 1 #

 2 #

 3 #



## STEP 1

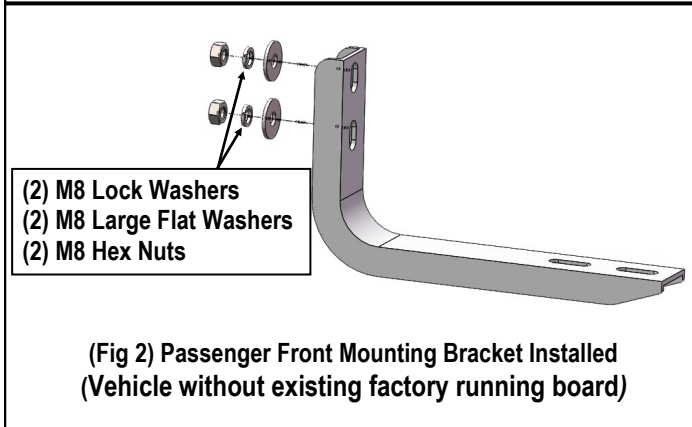
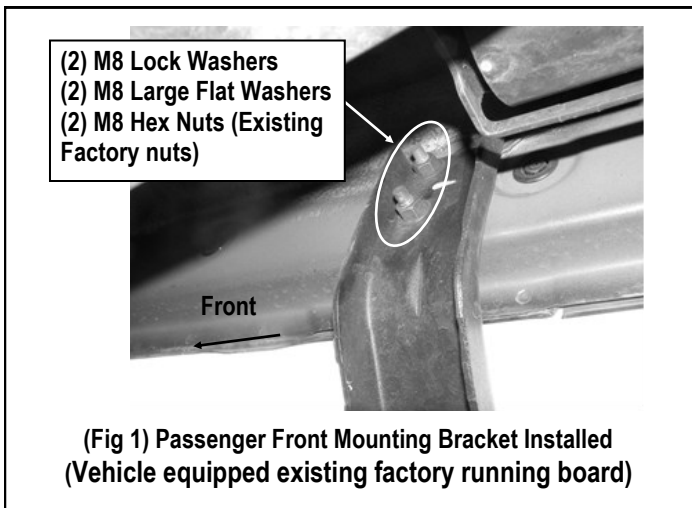
Start installation from the Passenger Side Front Mounting Location.

### **Vehicle equipped existing factory running board:**

- 1) Remove the existing running board by removing the (6) nuts mounting the brackets to inside of body panel.
- 2) Install (1) Mounting Bracket with (2) removed factory nuts, leave nuts loose at this time (**Fig 1**).

### **Vehicle without existing factory running board:**

Secure (1) Mounting Bracket to the body panel with the supplied (2) M8 Hex Nuts, (2) M8 Large Flat Washers & (2) M8 Lock Washers (**Fig 2**). Do not fully tighten at this time.



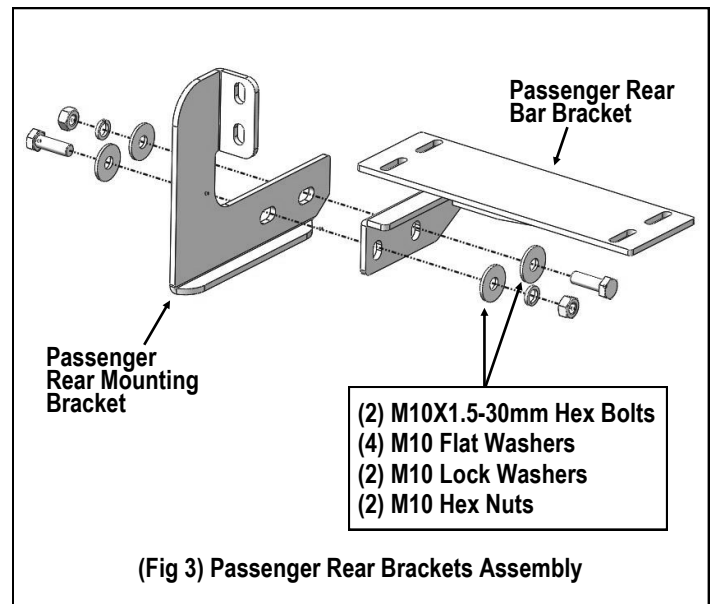
## STEP 2

Repeat **Step 1** to install another passenger side mounting bracket. Don't fully tighten the hardware at this time.

## STEP 3

Move to the passenger side rear of the vehicle. Assemble (1) Passenger Rear Mounting Bracket and (1) Passenger Rear Bar Bracket with (2) M10X1.5-30mm Hex Bolts, (2) M10 Lock Washers, (4) M10 Flat Washers and (2) M10 Hex Nuts, (**Fig 3**). Do not fully tighten hardware at this time.

Repeat **Steps 1-2** to install the assembled Passenger Rear Mounting Bracket.



## STEP 4

Once all (3) mounting brackets are installed, then proceed to the Step Bar installation. According to the style of Step Bar proceed to the correct installation STEPS.

**Note:** Aluminum Step Bar refer to **STEP 5**; Stainless Steel Step Bar skip to **STEP 6**.



## STEP 5

### Aluminum Step Bar Installation:

Select a **Aluminum Step Bar**. Slip (4) M6X1-20mm Square Head Bolts into each bottom channel (**Fig 4**). Carefully position the Step Bar onto the (3) Mounting Brackets. **IMPORTANT:** Do not slide the Step Bar on the Brackets or the bottom surface of the board will be damaged.

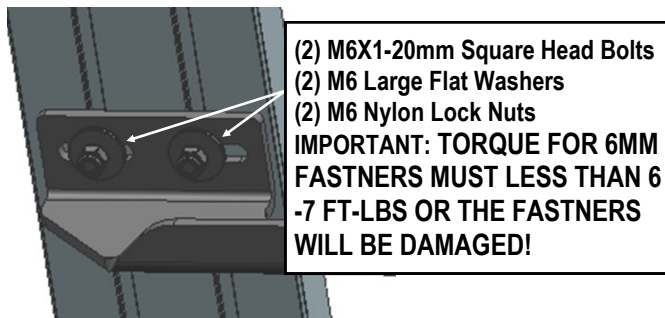
Attach the Running Board to Front & Center Mounting Brackets with (2) M6X1-20mm Square Head Bolts, (2) M6 Flat Washers and (2) M6X1 Nylon Lock Nuts (**Fig 5**).

Attach the Running Board to Rear Bar Bracket with (4) M6X1-20mm Square Head Bolts, (4) M6 Flat Washers and (4) M6 Nylon Lock Nuts (**Fig 6**). Do not tighten hardware at this time.

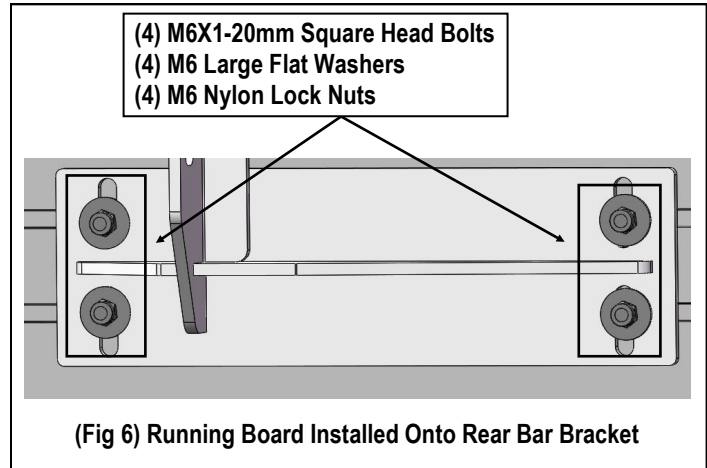
Level and adjust the Step Bar and fully tighten all hardware. Repeat **Steps 1-5** for the other side Step Bar installation. **The installation is completed!!!**



(Fig 4) Slip M6X1-20 Square Head Bolts Into The Bottom Channels



(Fig 5) Running Board Installed Onto Mounting Bracket (Front & Center Mounting Bracket)



(Fig 6) Running Board Installed Onto Rear Bar Bracket

## STEP 6

### Stainless Steel Step Bar Installation:

Select a **Stainless Steel Step Bar** (with the U-Sliders installed on the Bar). Loose the U-Sliders, reposition the U-Sliders onto the board according to the (3) Installed Mounting Brackets location, (**Fig 7**). Re-secure the U-Sliders on the Step Bar. Attach the Step Bar to the installed Front & Center Mounting Brackets with (4) M6X1-20mm Hex Bolts, (4) M6 Large Flat Washers & (4) M6 Lock Washers, (**Fig 8**). Attach the Step Bar to Rear Bar Bracket with (4) M6X1-20mm Hex Bolts, (4) M6 Large Flat Washers & (4) M6 Lock Washers, (**Fig 9**). Do not tighten hardware at this time.

Level and adjust the Step Bar and fully tighten all hardware. Repeat **Steps 1-4 and 6** for the other side Step Bar installation. **The installation is completed!!!**

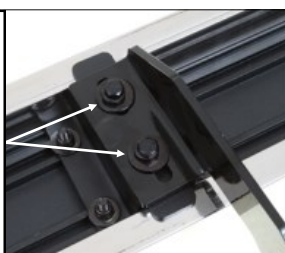


(Fig 7) Slide & line up the U-Slider with the installed mounting brackets along bottom channel



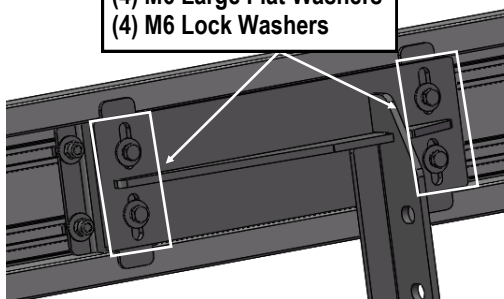
- (2) M6X1-20mm Hex Bolts
- (2) M6 Large Flat Washers
- (2) M6 Lock Washers

**IMPORTANT: TORQUE FOR 6MM FASTNERS MUST LESS THAN 6-7 FT-LBS OR THE FASTNERS WILL BE DAMAGED!**



(Fig 8) Step Bar Installed Onto Mounting Bracket (Front & Center Mounting Bracket) (Example)

- (4) M6X1-20mm Hex Bolts
- (4) M6 Large Flat Washers
- (4) M6 Lock Washers



(Fig 9) Step Bar Installed onto Rear Bar Bracket (Example)

### Attention

Do periodic inspections to the installation to make sure that all hardware is secure and tight.

In order to protect your bars/boards, please use mild soap/non-abrasive products for cleaning only.