

iBoard®



Scan for
Installation Video

iBoard® by APS

PART#: IB-P049/P951Y&H

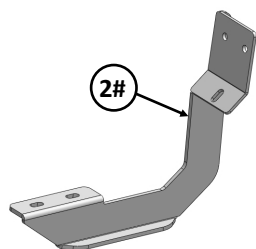
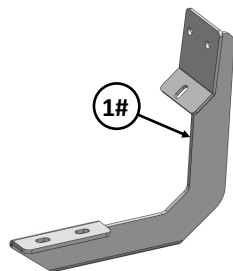
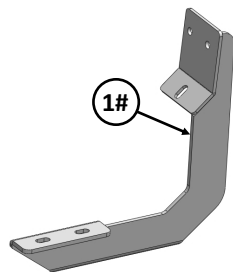
READ INSTRUCTIONS CAREFULLY BEFORE STARTING INSTALLATION. REMOVE CONTENTS FROM BOX AND VERIFY ALL PARTS ARE PRESENT. ASSISTANCE IS RECOMMENDED.

*ROCKER PANEL MOUNT
*NO DRILLING REQUIRED

Fastener Size	Tightening Torque (ft-lbs)	Required
6mm	6-7	X
8mm	16-18	√
10mm	31-32	X
12mm	56-58	X
14mm	92-94	X

PART LIST

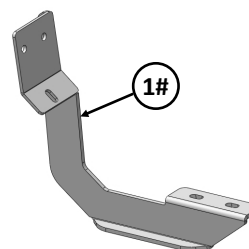
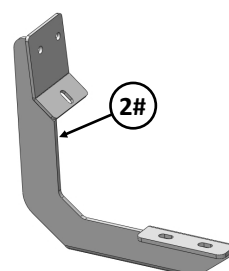
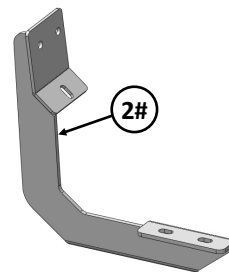
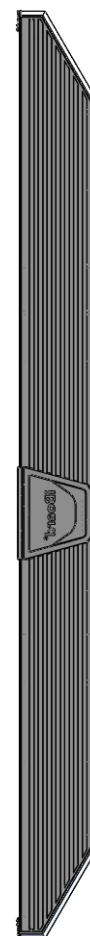
Driver Side Step Bar



Front



Passenger Side Step Bar

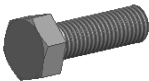


Customer Support: info@iboardauto.com




Scan for
Installation Video


Hardware Package A (For Bracket Installation)					
Item	QTY	Description	Item	QTY	Description
1#	3	Driver Front/Center Passenger Rear Mounting Brackets	4#	12	M8 Flat Washers
2#	3	Passenger Front/Center Driver Rear Mounting Brackets	5#	12	M8 Lock Washers
3#	12	M8X1.25-25mm Hex Bolts	6#	6	M8 Hex Flange Nuts




3 #



4 #

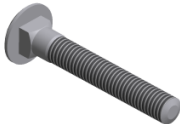


5 #




6 #


Hardware Package B (For Step Bar Installation)					
Item	QTY	Description	Item	QTY	Description
1#	12	M8X1.25-35mm Carriage Bolts	3#	12	M8 Nylon Lock Nuts
2#	12	M8 Large Flat Washers	4#	6	Sliders (Packed with Mounting Brackets)



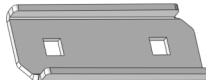
1 #



2 #



3 #

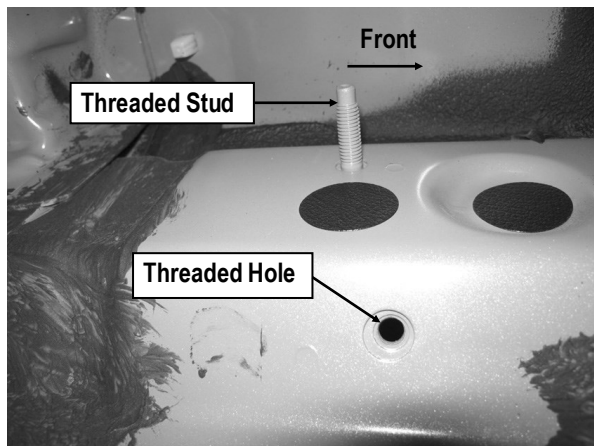


4 #

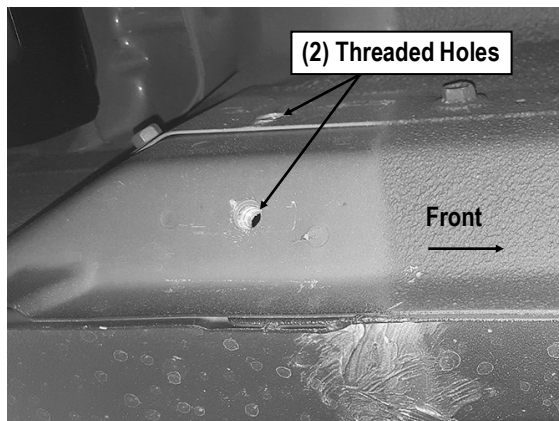


STEP 1

Start installation from the driver side front of the vehicle. Locate the factory threaded holes or stud located on the side of the inner body panel, (Figs 1 & 2). **NOTE:** Remove the plastic plug or any insulation on the side panel to locate the threaded holes.



(Fig 1) Up To 2015 Driver Side Rear Mounting Location Pictured.
(Note: Remove Plastic Plug To Locate Factory Threaded Hole)

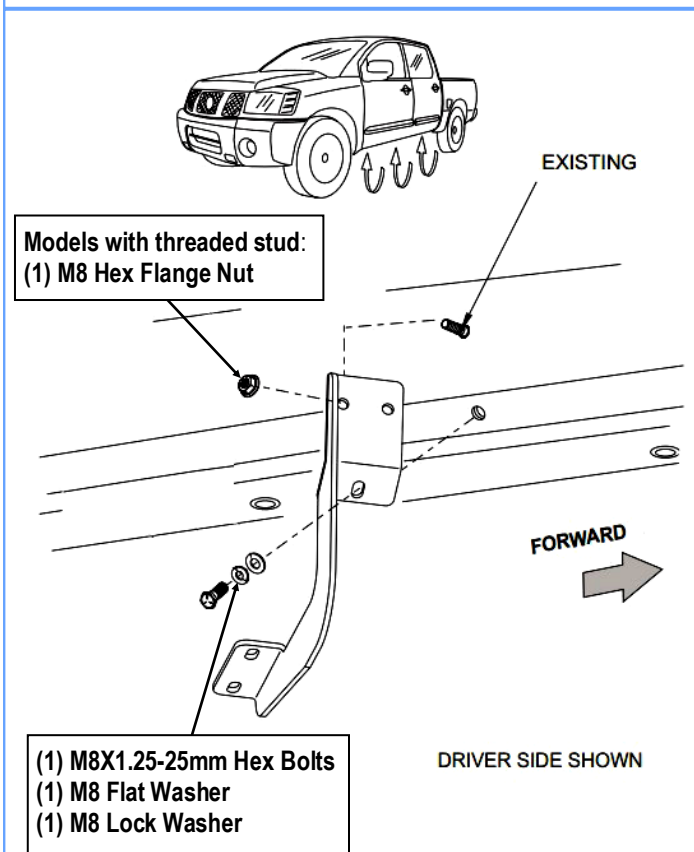


(Fig 2) 2016-On Driver Side Rear Mounting Location Pictured
(Note: (2) Factory Threaded Holes Only)

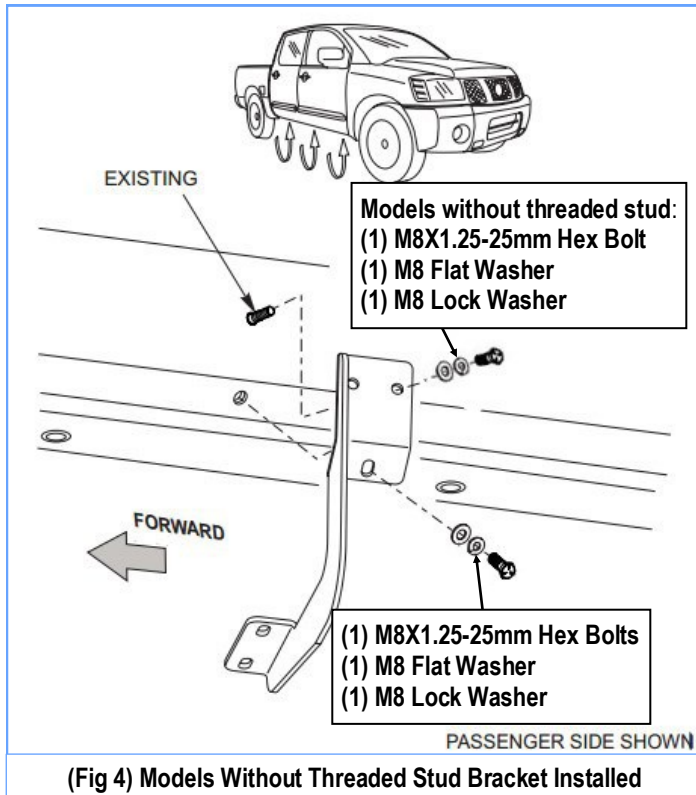
STEP 2

Attach (1) Mounting Bracket onto the Driver Side Front Mounting Location as shown.

- Models with threaded stud (Fig 3):** Attach the Mounting Bracket to stud with (1) M8 Nylon Lock Nut. Next, secure the bracket to the lower threaded hole with (1) M8X1.25-25mm Hex Bolt, (1) M8 Flat Washer and (1) M8 Lock Washer. Do not tighten hardware at this time.
- Models without threaded stud (Fig 4):** Attach the Mounting Bracket to the upper threaded hole with (1) M8X1.25-25mm Hex Bolt, (1) M8 Flat Washer and (1) M8 Lock Washer. Next, secure the bracket to the lower threaded hole with (1) M8X1.25-25mm Hex Bolt, (1) M8 Flat Washer and (1) M8 Lock Washer, (Fig 4). Do not fully tighten hardware at this time.



(Fig 3) Models With Threaded Stud Bracket Installed



STEP 3

Move to the driver side center & rear Mounting Locations. Repeat **Steps 1-2** to install the driver side center and rear Brackets. Don't fully tighten the hardware at this time.

STEP 4

Once all (3) Passenger side mounting brackets are installed, then proceed to the Step Bar installation. (**Figs 5 & 6**)

- (1) Select (1) Slider and (2) M8X1.25-35mm Carriage Bolts;
- (2) Install (2) M8X1.25-35mm Carriage Bolts in (1) Slider.
- (3) Slide the Slider (with carriage bolts) to the **Step Bar**.
- (4) Repeat to install the other (2) sliders to the step bar.
- (5) Attach the Step Bar (with the Sliders) onto the installed mounting brackets. Position the Sliders to the installed brackets. Secure the Step Bar to the installed Brackets by using (6) M8 Large Flat Washers and (6) M8 Nylon Lock Nuts and (3) Sliders, (**Fig 6**). Do not fully tighten hardware at this time.

Note: The Sliders are packed with the Mounting Brackets.

Level and adjust the Step Bar and fully tighten all hardware.

Repeat **Steps 1-4** for the other side Step Bar installation. **The installation is completed!!!**

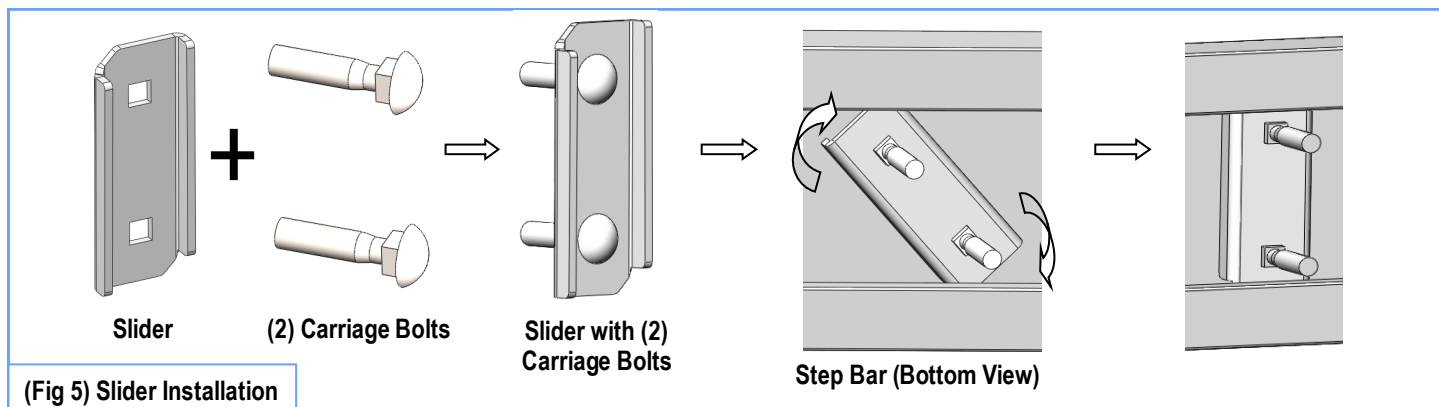
Attention

Do periodic inspections to the installation to make sure that all hardware is secure and tight.

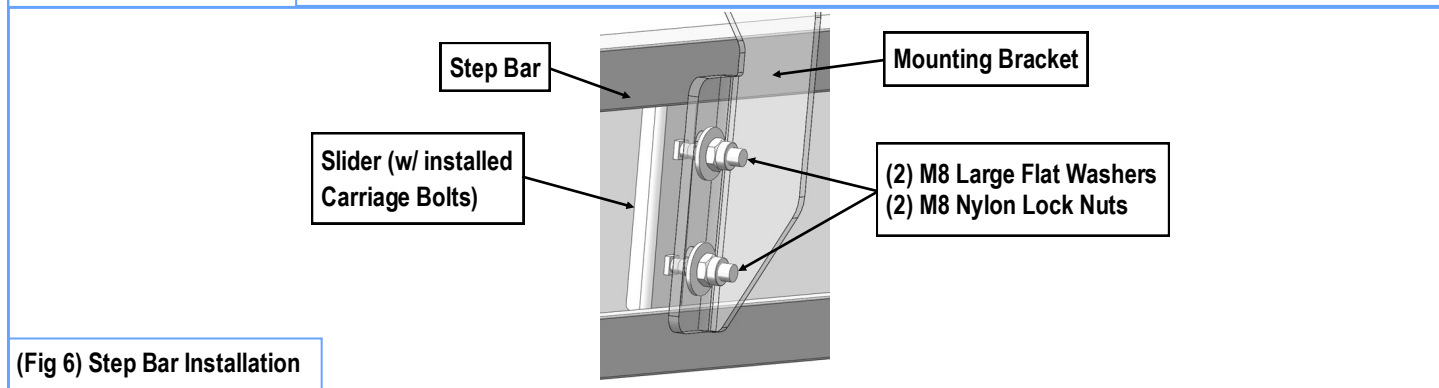
In order to protect your bars/boards, please use mild soap/non-abrasive products for cleaning only.



Scan for
Installation Video



(Fig 5) Slider Installation



(Fig 6) Step Bar Installation