



iBoard® Series

PART#: IB-P369Y&H

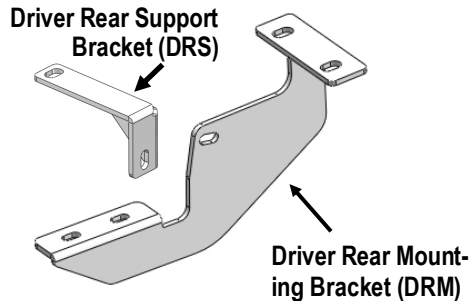
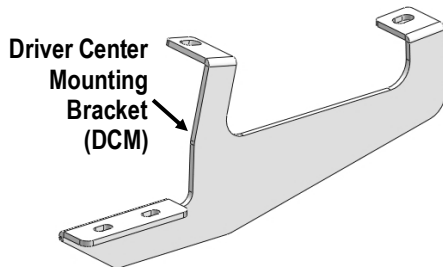
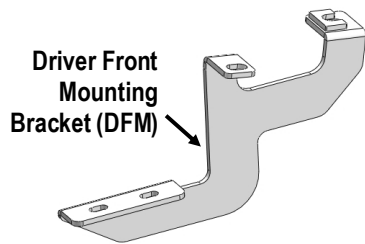
READ INSTRUCTIONS CAREFULLY BEFORE START ING INSTALLATION. REMOVE CONTENTS FROM BOX AND VERIFY ALL PARTS ARE PRESENT. ASSISTANCE IS RECOMMENDED.

*ROCKER PANEL MOUNT
*NO DRILLING REQUIRED/ CUTTING IS REQUIRED

| Fastener Size | Tightening Torque (ft-lbs) | Required |
|---------------|----------------------------|----------|
| 6mm | 6-7 | X |
| 8mm | 16-18 | √ |
| 10mm | 31-32 | X |
| 12mm | 56-58 | X |
| 14mm | 92-94 | X |

PART LIST

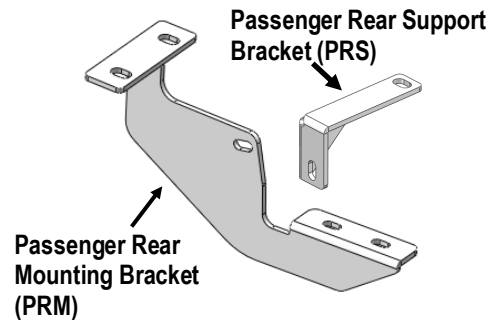
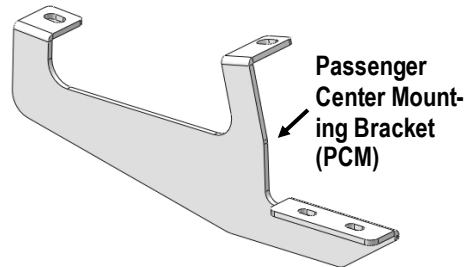
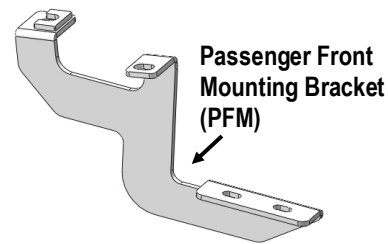
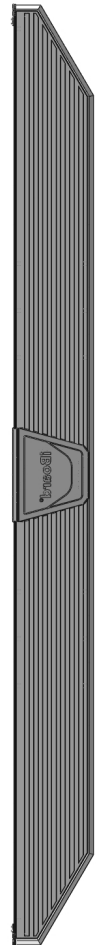
Driver Side Step Bar



Front



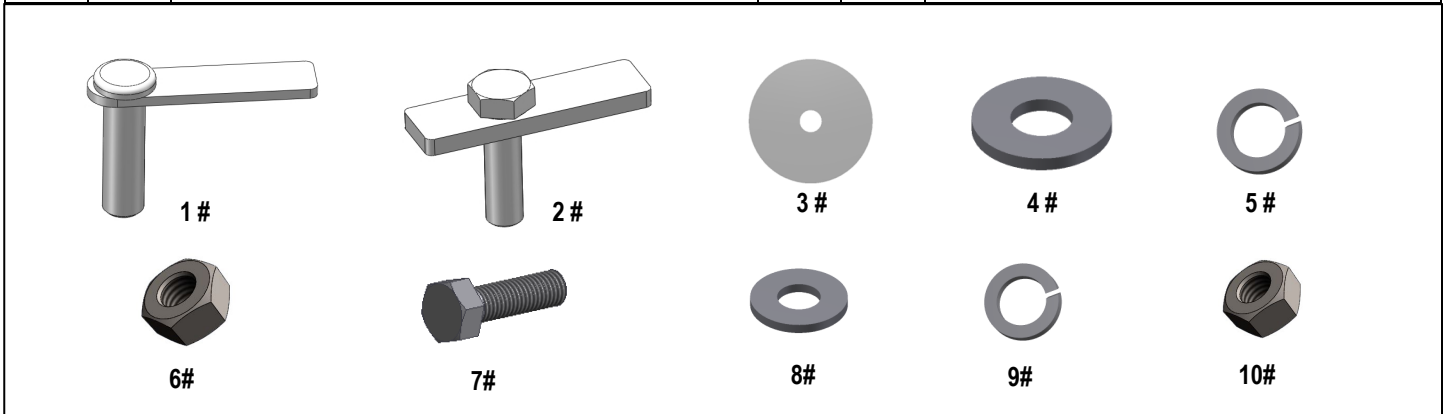
Passenger Side Step Bar



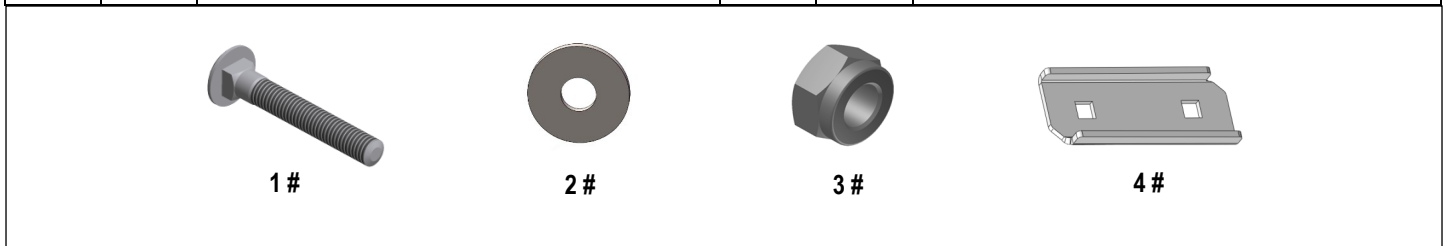


Scan for
Installation Video

| Hardware Package A (For Bracket Installation) | | | | | |
|---|-----|-------------------------|------|-----|------------------------|
| Item | QTY | Description | Item | QTY | Description |
| 1# | 12 | M10X35 Bolt Plates | 6# | 14 | M10X1.5 Hex Nuts |
| 2# | 2 | M10X35 Long Bolt Plates | 7# | 2 | M8X1.25-25mm Hex Bolts |
| 3# | 14 | M10 Plastic Washers | 8# | 4 | M8 Large Flat Washers |
| 4# | 14 | M10 Large Flat Washers | 9# | 2 | M8 Lock Washers |
| 5# | 14 | M10 Lock Washers | 10# | 2 | M8X1.25 Hex Nuts |



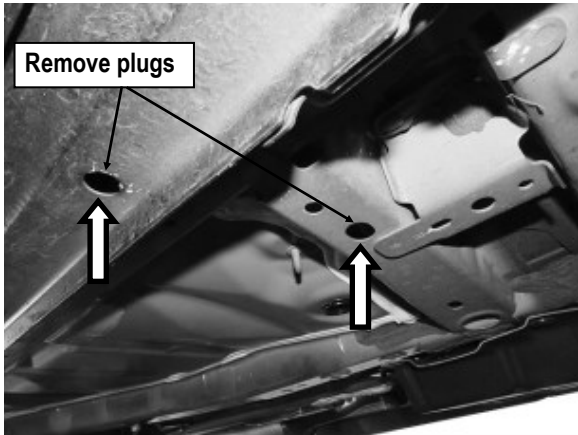
| Hardware Package B (For Step Bar Installation) | | | | | |
|--|-----|-----------------------------|------|-----|---|
| Item | QTY | Description | Item | QTY | Description |
| 1# | 12 | M8X1.25-35mm Carriage Bolts | 3# | 12 | M8 Nylon Lock Nuts |
| 2# | 12 | M8 Large Flat Washers | 4# | 6 | Sliders (Packed with Mounting Brackets) |





STEP 1

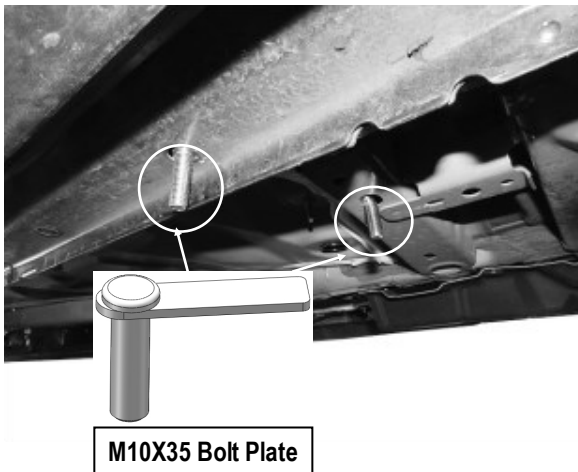
Start the installation from the Passenger Side Front Mounting Location of the vehicle. Locate and remove the plastic covers at the bottom of the vehicle, (**Fig 15**). Remove the plugs covering the mounting holes on the mounting location, (**Fig 1**).



(Fig 1) Passenger Side Front Mounting Location

STEP 2

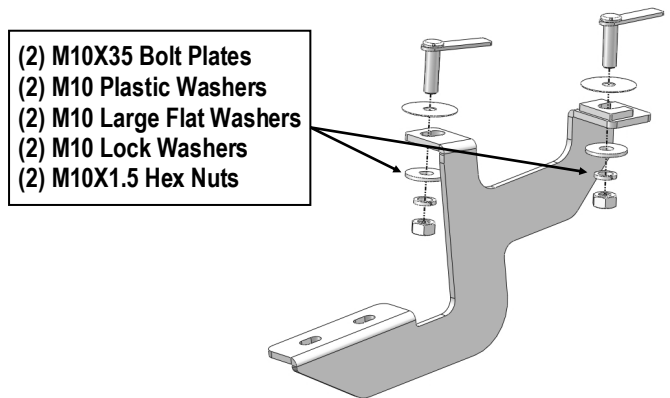
Insert (2) M10X35 Bolt Plates into the (2) mounting holes, (**Figs 1, 2**).



(Fig 2) Insert (2) M10X35 Bolt Plates
(Passenger Side Front Mounting Location)

STEP 3

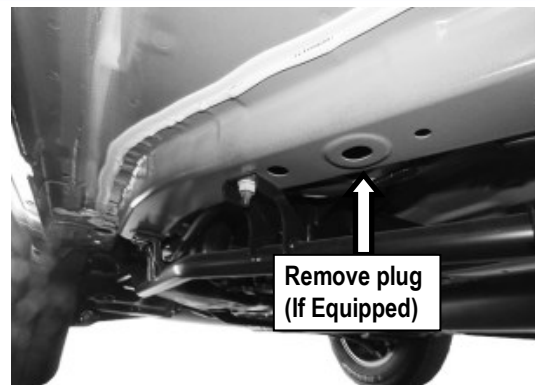
Select the Passenger Front Mounting Bracket (**PFM**), attach the Bracket to the installed M10X35 Bolt Plates with (2) M10 Plastic Washers, (2) M10 Large Flat Washers, (2) M10 Lock Washers and (2) M10X1.5 Hex Nuts, (**Fig 3**). Do not fully tighten at this time.



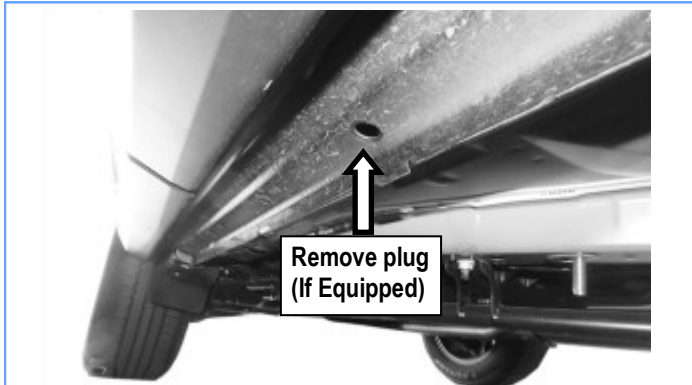
(Fig 3) Passenger Front Mounting Bracket Installation

STEP 4

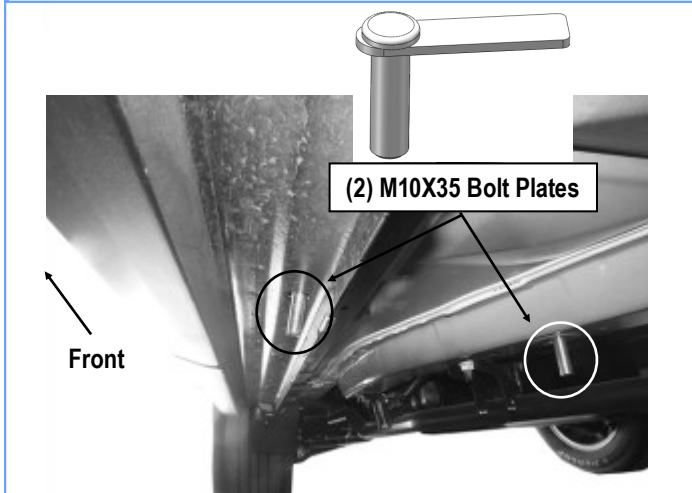
Move to the Passenger Side Center Mounting Location, (**Figs 4 -6**). Repeat **Steps 1—3** to attach the Passenger Center Mounting Bracket to the center mounting location, (**Fig 7**). Do not fully tighten at this time.



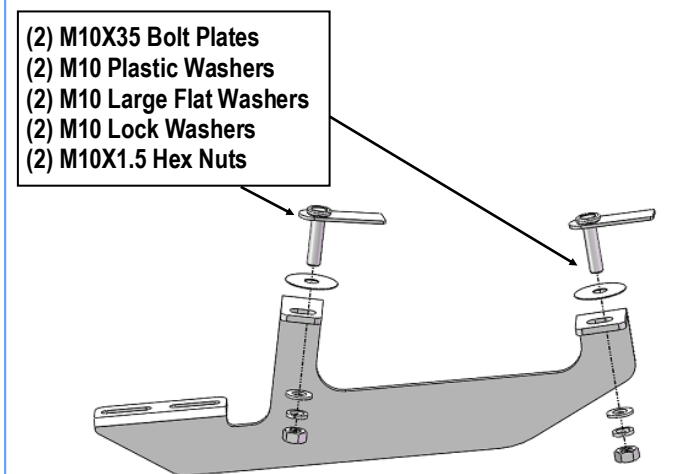
(Fig 4) Passenger Side Center Mounting Location



(Fig 5) Passenger Side Center Mounting Location



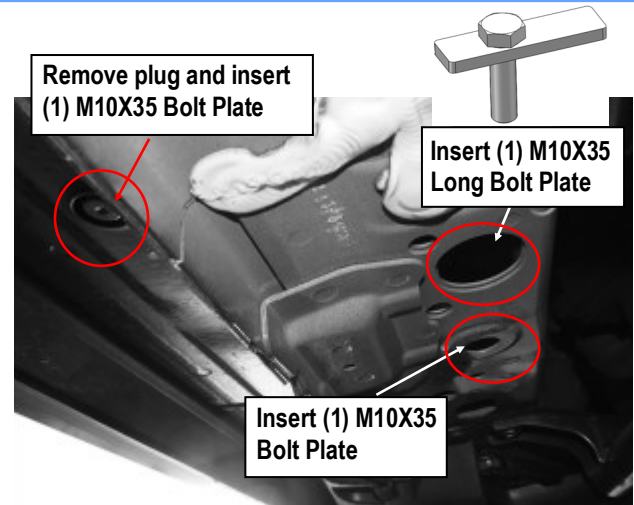
(Fig 6) Insert (2) M10X35 Bolt Plates
(Passenger Side Center Mounting Location)



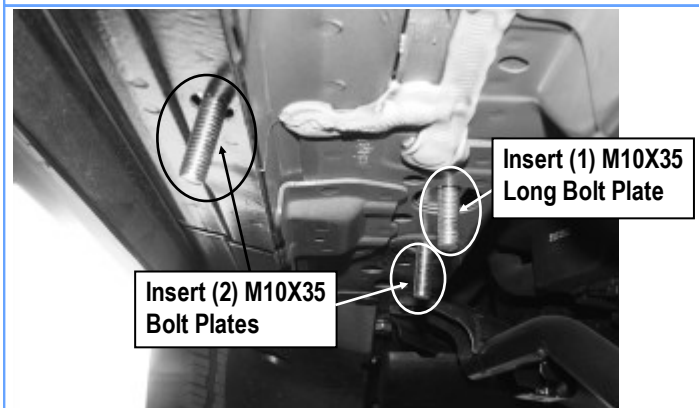
(Fig 7) Passenger Center Mounting Bracket Installation

STEP 5

Move to the Passenger Side Rear Mounting Location, (Fig 8). Insert (1) M10X35 Long Bolt Plate into the large hole in the floor panel, (Fig 9). Insert (2) M10X35 Bolt Plates into the smaller holes beside the M10X35 Long Bolt Plate, (Fig 9).



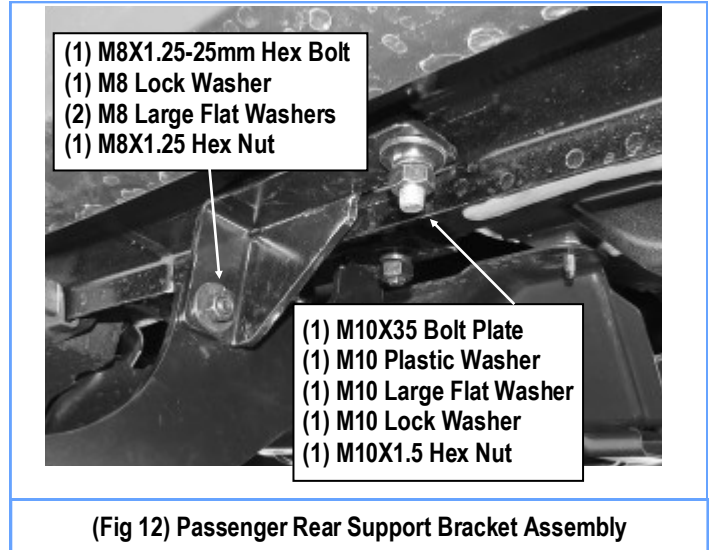
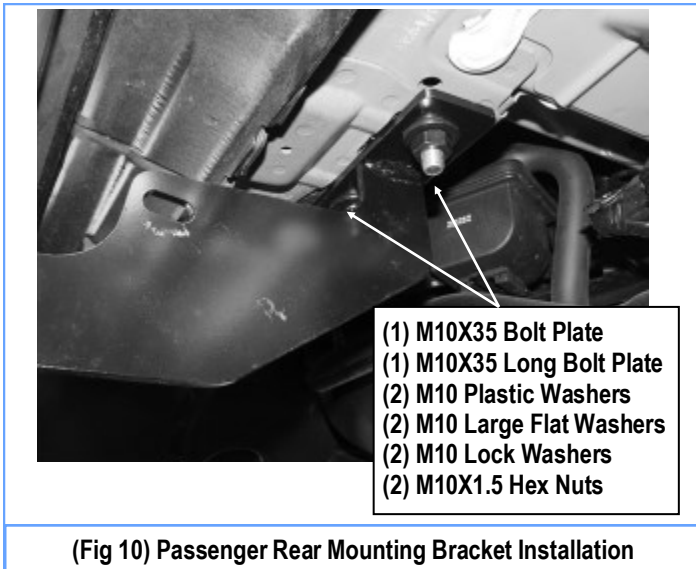
(Fig 8) Passenger Side Rear Mounting Location



(Fig 9) Passenger Side Rear Mounting Location

STEP 6

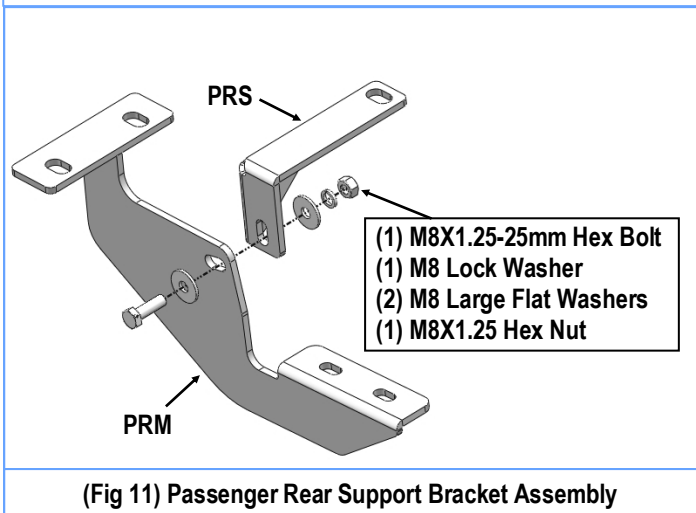
Select the Passenger Rear Mounting Bracket (PRM), attach the Bracket to the installed M10X35 Bolt Plate and M10X35 Long Bolt Plate with (2) M10 Plastic Washers, (2) M10 Large Flat Washers, (2) M10 Lock Washers and (2) M10X1.5 Hex Nuts, (Fig 10). Do not fully tighten at this time.



STEP 7

Select the Passenger Rear Support Bracket (**PRS**), secure the Passenger Rear Support Bracket (**PRS**) to the Passenger Rear Mounting Bracket (**PRM**) with (1) M8X1.25-25mm Hex Bolt, (2) M8 Large Flat Washers, (1) M8 Lock Washer and (1) M8X1.25 Hex Nut, (**Figs 11 & 12**). Do not fully tighten at this time.

Attach the other side of the support bracket to the installed M10X35 Bolt Plate with (1) M10 Plastic Washer, (1) M10 Large Flat Washer, (1) M10 Lock Washer and (1) M10X1.5 Hex Nut, (**Fig 12**). Do not fully tighten at this time.



STEP 8

Once all (3) Passenger side mounting brackets are installed, then proceed to the Step Bar installation. (**Figs 13 & 14**)

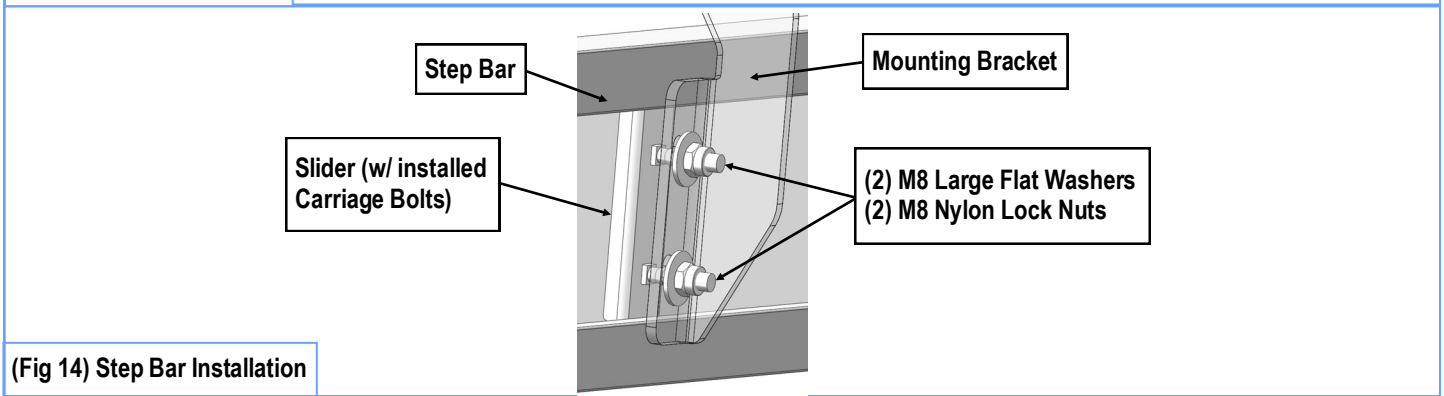
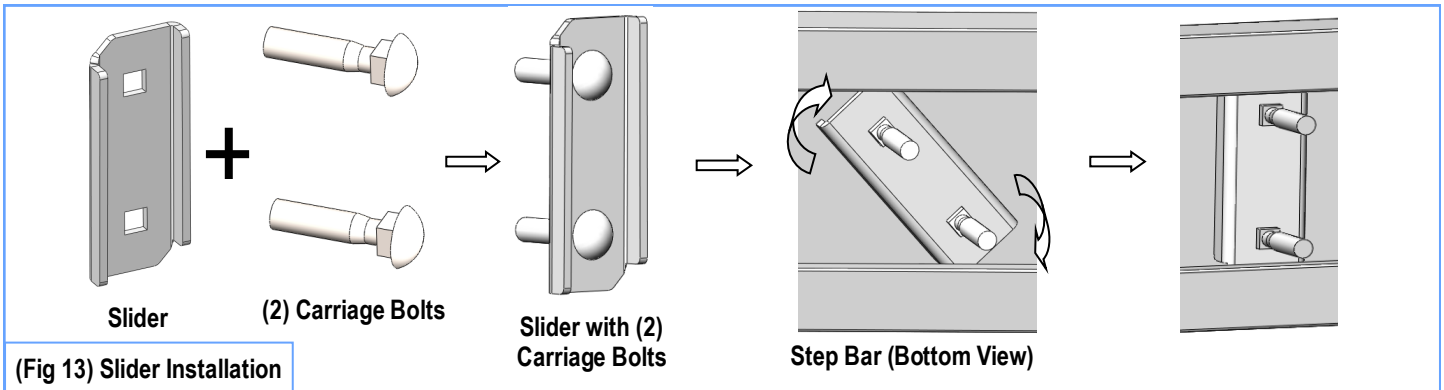
- (1) Select (1) Slider and (2) M8X1.25-35mm Carriage Bolts;
- (2) Install (2) M8X1.25-35mm Carriage Bolts in (1) Slider.
- (3) Slide the Slider (with carriage bolts) to the **Step Bar**.
- (4) Repeat to install the other (2) sliders to the step bar.

(5) Attach the Step Bar (with the Sliders) onto the installed mounting brackets. Position the Sliders to the installed brackets. Secure the Step Bar to the installed Brackets by using (6) M8 Large Flat Washers and (6) M8 Nylon Lock Nuts and (3) Sliders, (**Fig 14**). Do not fully tighten hardware at this time.

Note: The Sliders are packed with the Mounting Brackets.

Level and adjust the Step Bar and fully tighten all hardware.

Repeat **Steps 1-8** for the other side Step Bar installation. **The installation is completed!!!**



Attention

Do periodic inspections to the installation to make sure that all hardware is secure and tight.
In order to protect your bars/boards, please use mild soap/non-abrasive products for cleaning only.