

iBoard®



Scan for
Installation Video

iBoard® by APS

PART#: IB-P228C&J

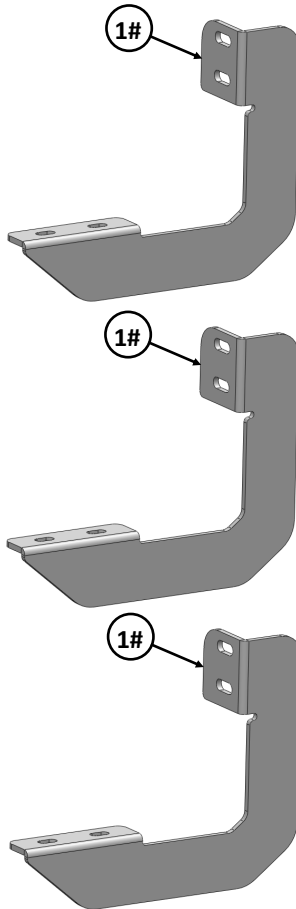
READ INSTRUCTIONS CAREFULLY BEFORE STARTING INSTALLATION. REMOVE CONTENTS FROM BOX AND VERIFY ALL PARTS ARE PRESENT. ASSISTANCE IS RECOMMENDED.

*ROCKER PANEL MOUNT
*NO DRILLING REQUIRED

Fastener Size	Tightening Torque (ft-lbs)	Required
6mm	6-7	X
8mm	16-18	√
10mm	31-32	X
12mm	56-58	X
14mm	92-94	X

PART LIST

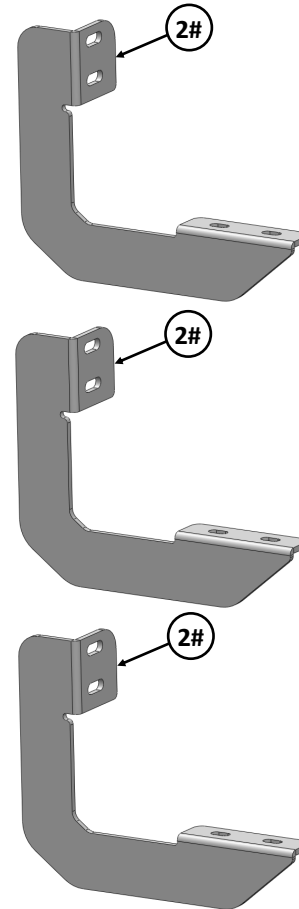
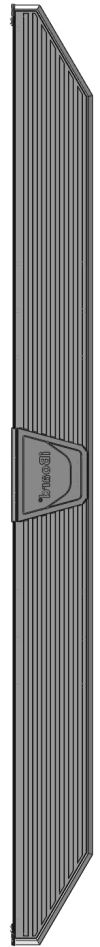
Driver Side Step Bar



Front



Passenger Side Step Bar



Customer Support: info@iboardauto.com



Scan for
Installation Video

Hardware Package A (For Bracket Installation)

Item	QTY	Description	Item	QTY	Description
1#	3	Driver Front/Center/Rear Mounting Brackets	3#	12	M8 Large Flat Washers
2#	3	Passenger Front/Center/Rear Mounting Brackets	4#	12	M8X1.25 Nylon Lock Nuts



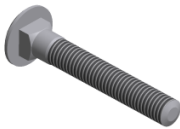
3#



4#

Hardware Package B (For Step Bar Installation)

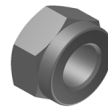
Item	QTY	Description	Item	QTY	Description
1#	12	M8X1.25-35mm Carriage Bolts	3#	12	M8 Nylon Lock Nuts
2#	12	M8 Large Flat Washers	4#	6	Sliders (Packed with Mounting Brackets)



1 #



2 #



3 #

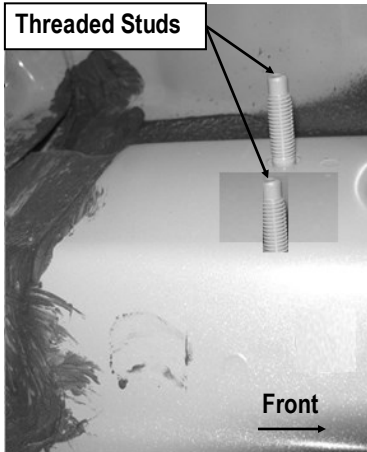


4 #



STEP 1

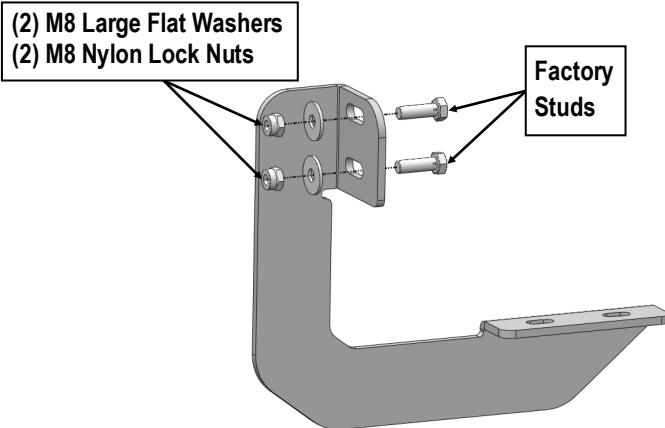
Start installation from the driver side front of the vehicle. Locate the (2) factory threaded studs located on the side of the inner body panel, (Fig 1).



(Fig 1) Driver Side Front Mounting Location

STEP 2

Select the Driver Front Mounting Bracket. Attach to the (2) factory threaded studs with (2) M8 Large Flat Washers and (2) M8X1.25 Nylon Lock Nuts, (Figs 2&3). Do not fully tighten hardware at this time.



(Fig 2) Driver Side Front Mounting Bracket Installation



(Fig 3) Driver Side Front Mounting Bracket Installed

STEP 3

Move to the center & rear mounting location. Repeat **Steps 1-2** for Driver Center & Rear Mounting Brackets.

Note: All (3) Driver Side Mounting Brackets are universal.

STEP 4

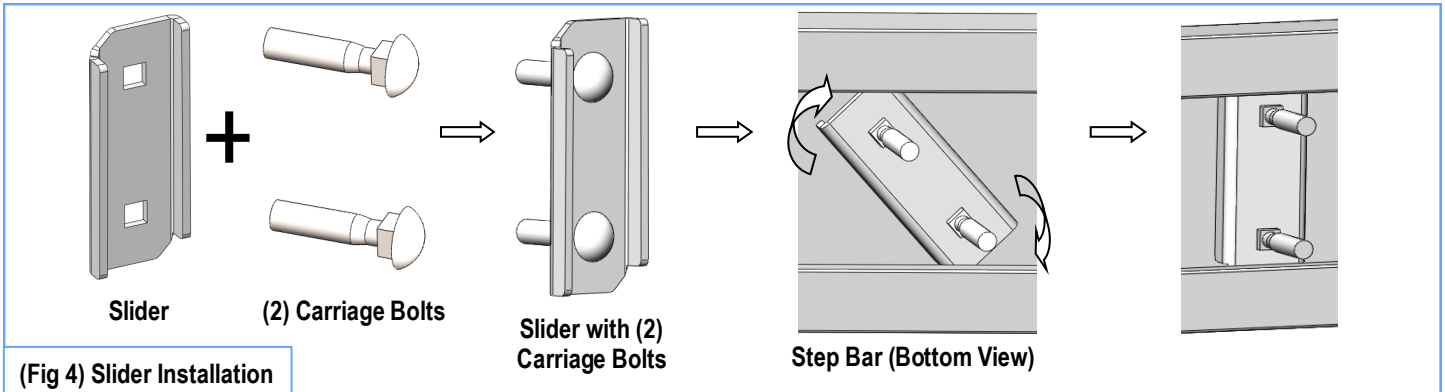
Once all (3) Driver side mounting brackets are installed, then proceed to the Step Bar installation. (Figs 4 & 5)

- (1) Select (1) Slider and (2) M8X1.25-35mm Carriage Bolts;
- (2) Install (2) M8X1.25-35mm Carriage Bolts in (1) Slider.
- (3) Slide the Slider (with carriage bolts) to the **Step Bar**.
- (4) Repeat to install the other (2) sliders to the step bar.
- (5) Attach the Step Bar (with the Sliders) onto the installed mounting brackets. Position the Sliders to the installed brackets. Secure the Step Bar to the installed Brackets by using (6) M8 Large Flat Washers and (6) M8 Nylon Lock Nuts and (3) Sliders, (Fig 5). Do not fully tighten hardware at this time.

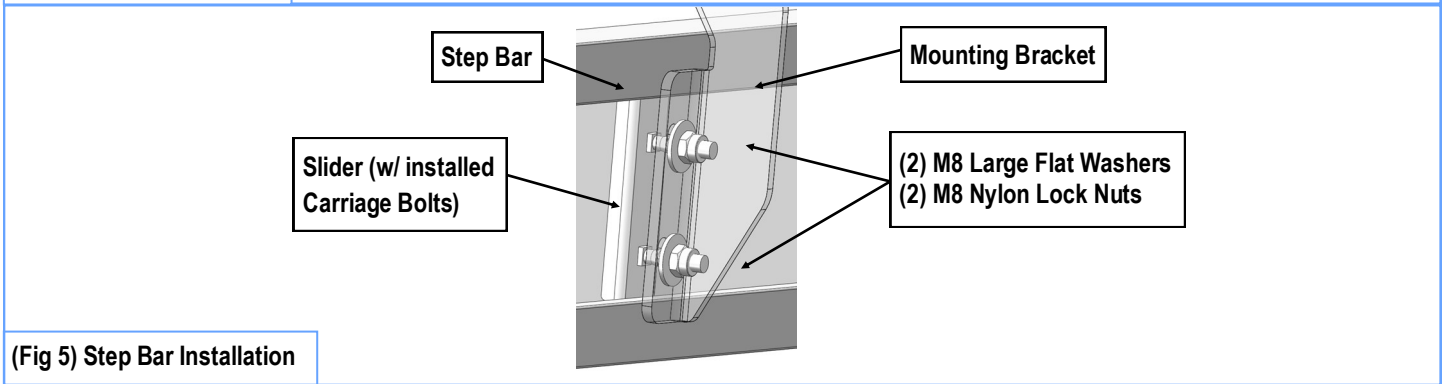
Note: The Sliders are packed with the Mounting Brackets.

Level and adjust the Step Bar and fully tighten all hardware.

Repeat **Steps 1-4** for the other side Step Bar installation. **The installation is completed!!!**



(Fig 4) Slider Installation



(Fig 5) Step Bar Installation

Attention

Do periodic inspections to the installation to make sure that all hardware is secure and tight.
In order to protect your bars/boards, please use mild soap/non-abrasive products for cleaning only.