



iBoard® by APS

PART#: IB-P225Y&H

READ INSTRUCTIONS CAREFULLY BEFORE STARTING INSTALLATION. REMOVE CONTENTS FROM BOX AND VERIFY ALL PARTS ARE PRESENT. ASSISTANCE IS RECOMMENDED.

*ROCKER PANEL MOUNT
*NO DRILLING REQUIRED

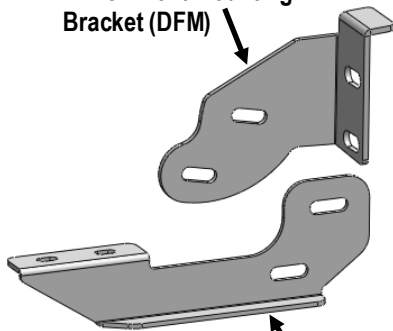
Fastener Size	Tightening Torque (ft-lbs)	Required
6mm	6-7	X
8mm	16-18	√
10mm	31-32	√
12mm	56-58	X
14mm	92-94	X

PART LIST

Driver Side Step Bar

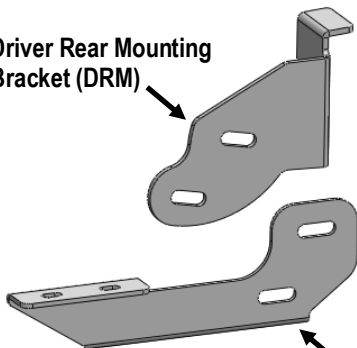


Driver Front Mounting Bracket (DFM)



Driver Front Bar Bracket (DFB/PRB)

Driver Rear Mounting Bracket (DRM)



Driver Rear Bar Bracket (PFB/DRB)

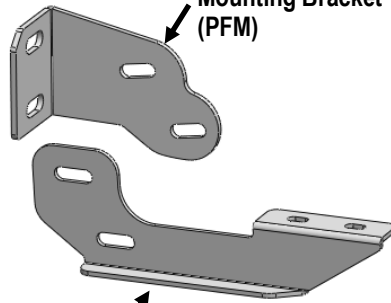
Front



Passenger Side Step Bar

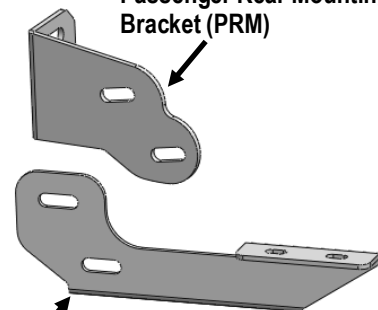


Passenger Front Mounting Bracket (PFM)



Passenger Front Bar Bracket (PFB/DRB)

Passenger Rear Mounting Bracket (PRM)

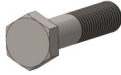


Passenger Rear Bar Bracket (DFB/PRB)

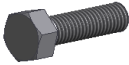


Hardware Package A (For Bucket Installation)


Item	QTY	Description	Item	QTY	Description
1#	8	M10X1.25-30mm Hex Bolts	4#	16	M10 Lock Washers
2#	8	M10X1.5-30mm Hex Bolts	5#	8	M10 Hex Nuts
3#	24	M10 Large Flat Washers			




1#



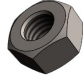
2#



3#



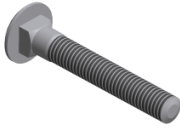
4#




5#

Hardware Package B (For Step Bar Installation)


Item	QTY	Description	Item	QTY	Description
1#	8	M8X1.25-35mm Carriage Bolts	3#	8	M8 Nylon Lock Nuts
2#	8	M8 Large Flat Washers	4#	4	Sliders (Packed with Mounting Brackets)




1#



2#



3#

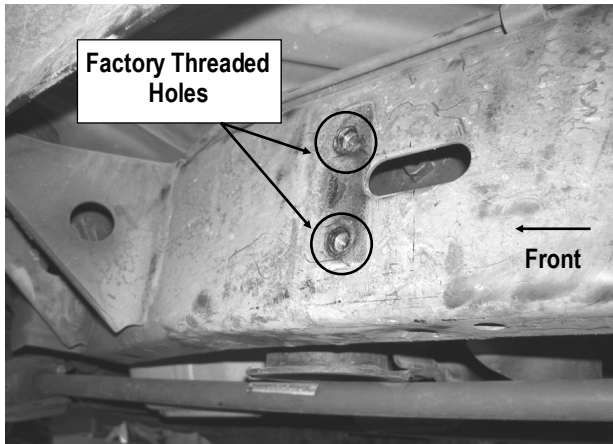


4#



STEP 1

Start installation from the driver side front of the vehicle. Locate (2) threaded holes on the frame on the Driver Front Mounting Location, (Fig 1).



(Fig 1) Driver Side Front Mounting Location

STEP 2

Select (1) Driver Front Mounting Bracket (DFM), attach the Driver Front Mounting Bracket (DFM) onto the (2) threaded holes with the included (2) M10X1.25-30mm Hex Bolts, (2) M10 Lock Washers, and (2) M10 Large Flat Washers (Fig 2). Do not fully tighten hardware at this time.

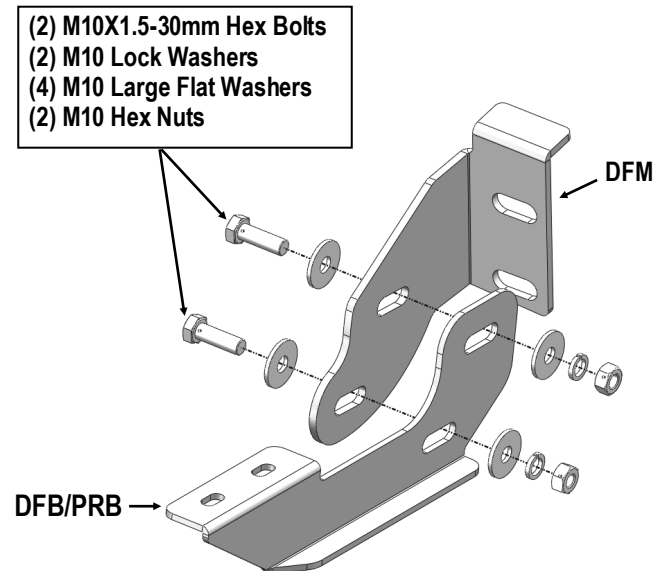
NOTE: The factory bolts in the threaded holes can be re-used to mount the bracket, if equipped.



(Fig 2) Driver Front Mounting Bracket (DFM) Installed

STEP 3

Attach the Driver Front Bar Bracket to the installed Mounting Bracket with (2) M10X1.5-30mm Hex Bolts, (2) M10 Lock Washers, (4) M10 Large Flat Washers and (2) M10 Hex Nuts, (Fig 3). Don't fully tighten the hardware at this time.



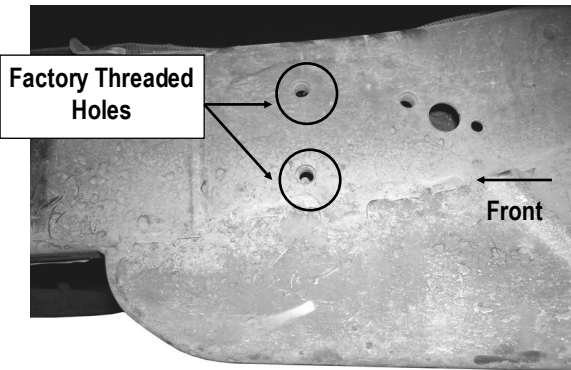
(Fig 3) Driver Front Bar Bracket Installation

STEP 4

Move to the Driver Side Rear Mounting Location, Locate (2) threaded holes on the mounting location (Fig 4).

Repeat **Step 2** to attach the Driver Rear Mounting Bracket (DRM) onto the (2) threaded holes on the frame with the included (2) M10X1.25-30mm Hex Bolts, (2) M10 Lock Washers, and (2) M10 Large Flat Washers (Fig 5). Do not fully tighten hardware at this time.

NOTE: The factory bolts in the threaded holes can be re-used to mount the bracket, if equipped.



(Fig 4) Driver Side Rear Mounting Location

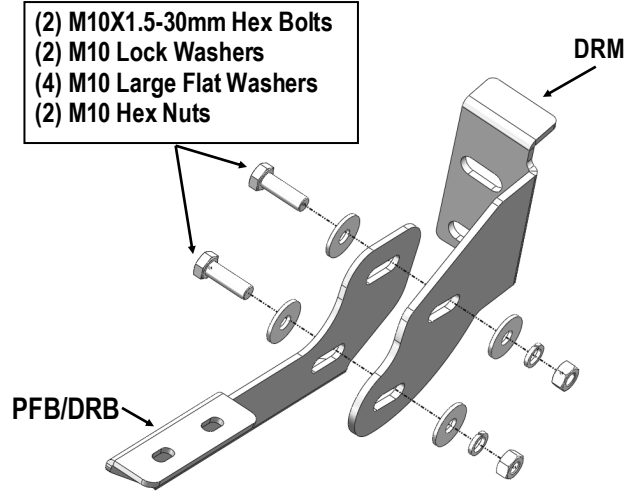


(2) M10X1.25-30mm Hex Bolts
(2) M10 Lock Washers
(2) M10 Large Flat Washers

(Fig 5) Driver Rear Mounting Bracket (DRM) Installed

STEP 5

Attach the Driver Rear Bar Bracket (**PFB/DRB**) to the installed Mounting Bracket (**DRM**) with (2) M10X1.5-30mm Hex Bolts, (2) M10 Lock Washers, (4) M10 Large Flat Washers and (2) M10 Hex Nuts, (**Fig 6**). Don't fully tighten the hardware at this time.



(Fig 6) Driver Rear Bar Bracket Installation

STEP 6

Once all (2) Driver side mounting brackets are installed, then proceed to the Step Bar installation. (**Figs 7 & 8**)

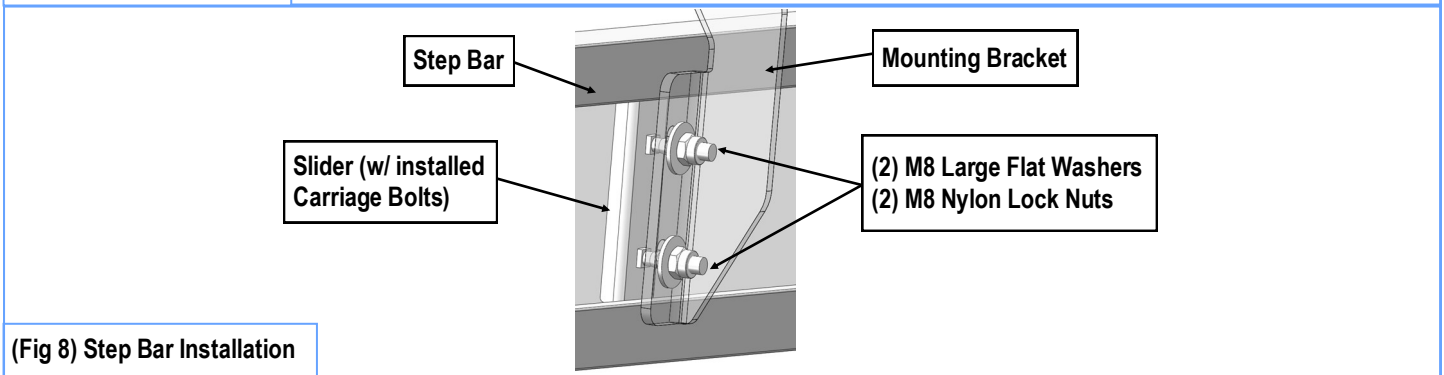
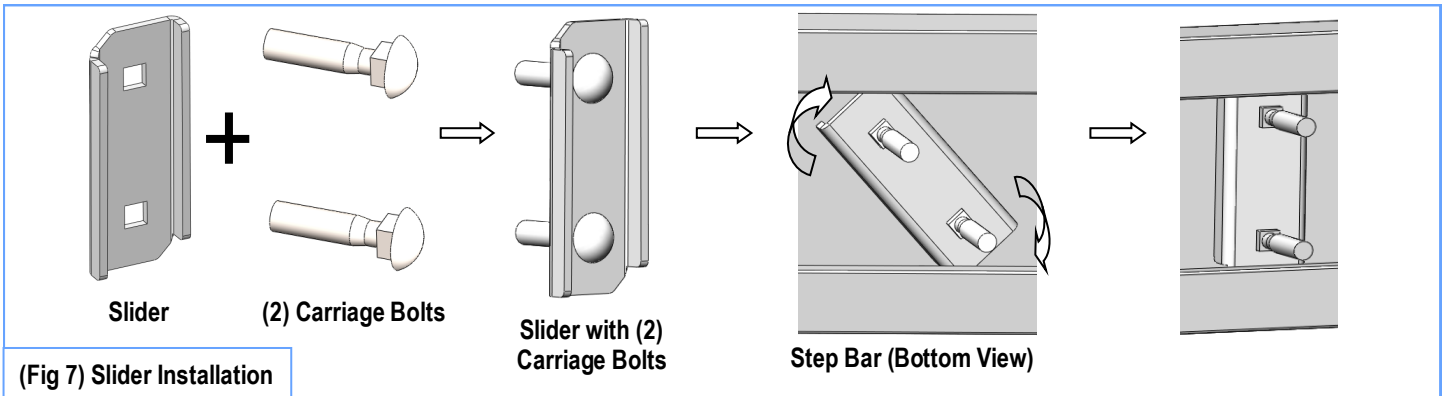
- (1) Select (1) Slider and (2) M8X1.25-35mm Carriage Bolts;
- (2) Install (2) M8X1.25-35mm Carriage Bolts in (1) Slider.
- (3) Slide the Slider (with carriage bolts) to the **Step Bar**.
- (4) Repeat to install the other (1) slider to the step bar.

(5) Attach the Step Bar (with the Sliders) onto the installed mounting brackets. Position the Sliders to the installed brackets. Secure the Step Bar to the installed Brackets by using (4) M8 Large Flat Washers and (4) M8 Nylon Lock Nuts and (2) Sliders, (**Fig 8**). Do not fully tighten hardware at this time.

Note: The Sliders are packed with the Mounting Brackets.

Level and adjust the Step Bar and fully tighten all hardware.

Repeat **Steps 1-6** for the other side Step Bar installation. **The installation is completed!!!**



Attention

Do periodic inspections to the installation to make sure that all hardware is secure and tight.
In order to protect your bars/boards, please use mild soap/non-abrasive products for cleaning only.