

# iBoard®

## iBoard® by APS

PART#: IB-224A-B

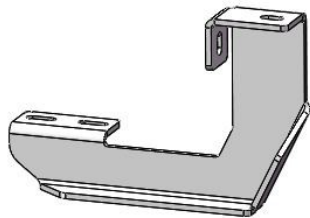
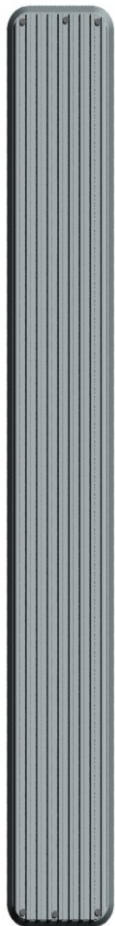
READ INSTRUCTIONS CAREFULLY BEFORE STARTING INSTALLATION. REMOVE CONTENTS FROM BOX AND VERIFY ALL PARTS ARE PRESENT. ASSISTANCE IS RECOMMENDED.

\*BODY FRAME MOUNT  
\*NO DRILLING REQUIRED

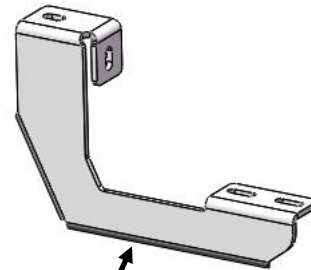
Fastener Size	Tightening Torque (ft-lbs)
6mm	6-7
8mm	16-18
10mm	31-32
12mm	56-58
14mm	92-94

### PART LIST

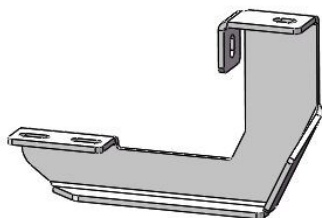
Front  
↑



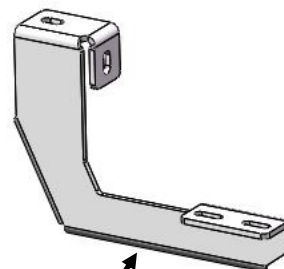
Driver Front / Passenger Rear Mounting Bracket (DFM/PRM)



Passenger Front / Driver Rear Mounting Bracket (PFM/DRM)



PFM/DRM

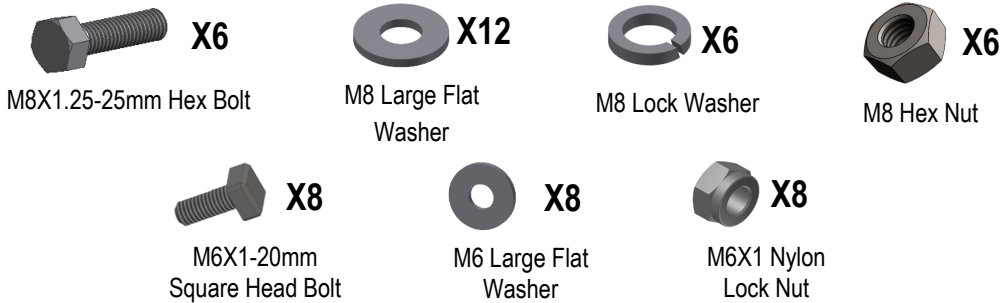


DFM/PRM



Customer Support: [info@iboardauto.com](mailto:info@iboardauto.com)

# iBoard®

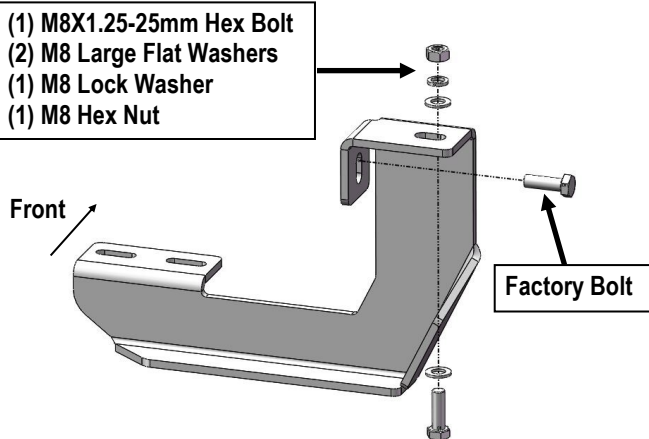


## STEP 1

Start installation from the driver side front of the vehicle. Locate the (1) factory bolt in the bottom of the outer frame channel. Remove Factory bolt. Position the Mounting Bracket up to the frame rail. Secure the Mounting Bracket with the (1) factory bolts. Do not fully tighten hardware at this time.

## STEP 2

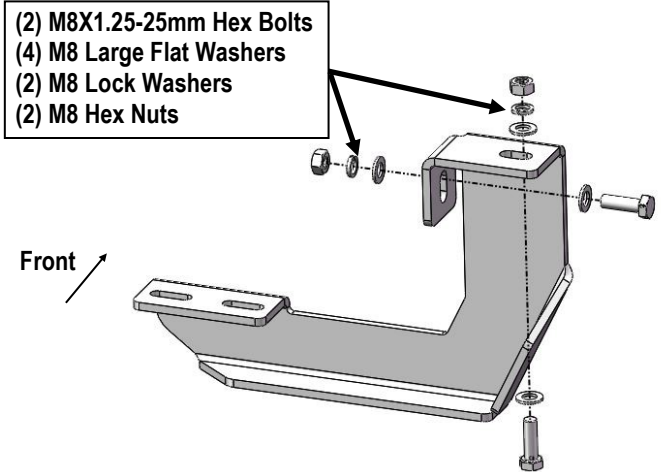
Select (1) Driver Front Mounting Bracket (**DFM/PRM**). Bolt the Mounting Bracket to the vehicle with (1) M8X1.25-25mm Hex Bolt, (2) M8 Large Flat Washers, (1) M8 Lock Washer and (1) M8 Hex Nut, (**Fig 1**). Do not fully tighten hardware at this time.



(Fig 1) Driver Side Front Mounting Bracket Installation

## STEP 2

Move to the rear mounting location. Select (1) Driver Rear Mounting Bracket (**PFM/DRM**). Bolt the Mounting Bracket to the vehicle with (2) M8X1.25-25mm Hex Bolts, (4) M8 Large Flat Washers, (2) M8 Lock Washers and (2) M8 Hex Nuts, (**Fig 2**). Do not fully tighten hardware at this time. **Note:** (4) Mounting Brackets are universal.



(Fig 2) Driver Side Rear Mounting Bracket Installation

## STEP 4

Select a Running Board. Slip (2) M6X1-20mm Square Head Bolts into each bottom channel (**Fig 3**). Carefully position the Running Board onto the (2) Mounting Brackets.

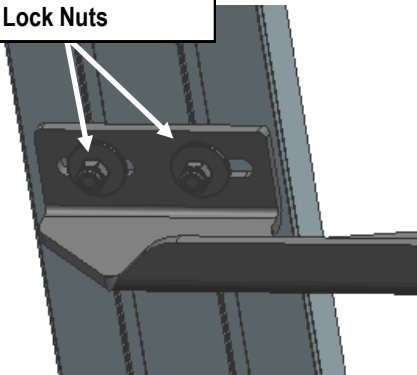
# iBoard®

**IMPORTANT:** Do not slide the Running Board on the Brackets or the bottom surface of the board will be damaged. Attach the Running Board to each Mounting Bracket with (2) M6x1-20mm Square Head Bolts, (2) M6 Large Flat Washers and (2) M6 X1 Nylon Lock Nuts (**Fig 4**). Do not fully tighten at this time.



(Fig 3) Slip M6X1-20mm Square Head Bolts Into The Bottom Channels

- (2) M6X1-20mm Square Head Bolts
- (2) M6 Large Flat Washers
- (2) M6X1 Nylon Lock Nuts



(Fig 4) Running Board Installed Onto the Mounting Bracket

## STEP 5

Level and adjust the Running Board and fully tighten all hardware.

## STEP 6

Repeat **Steps 1-5** for other side Running Board installation. The installation is completed (**Fig 5**).



(Fig 5) Installation Completed

### Attention

Do periodic inspections to the installation to make sure that all hardware is secure and tight.

In order to protect your bars/boards, please use only mild soap/non-abrasive products for cleaning.