



iBoard® Series

PART#: IB-P339Y&H

READ INSTRUCTIONS CAREFULLY BEFORE STARTING INSTALLATION. REMOVE CONTENTS FROM BOX AND VERIFY ALL PARTS ARE PRESENT. ASSISTANCE IS RECOMMENDED.

*ROCKER PANEL MOUNT
*DRILLING IS REQUIRED

Fastener Size	Tightening Torque (ft-lbs)	Required
6mm	6-7	X
8mm	16-18	√
10mm	31-32	X
12mm	56-58	X
14mm	92-94	X

PART LIST

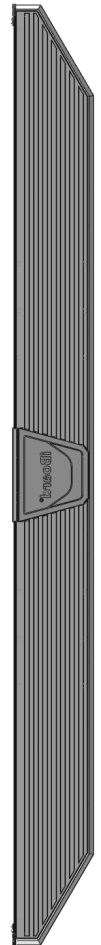
Driver Side Step Bar



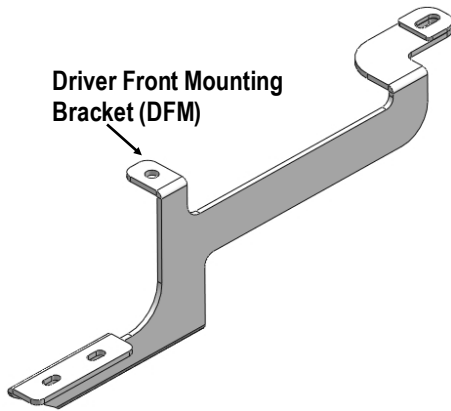
Front



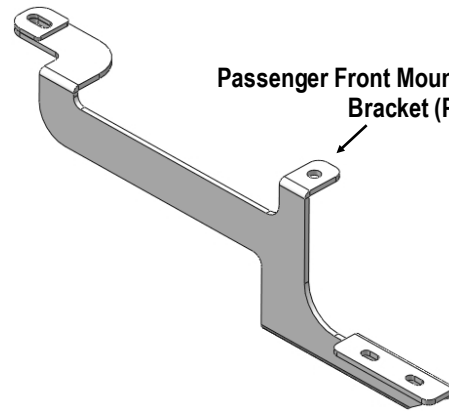
Passenger Side Step Bar



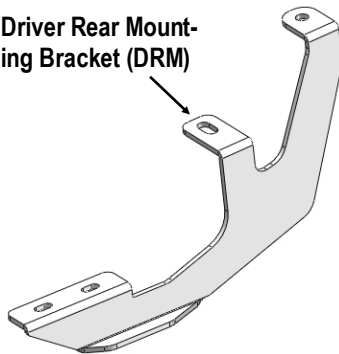
Driver Front Mounting Bracket (DFM)



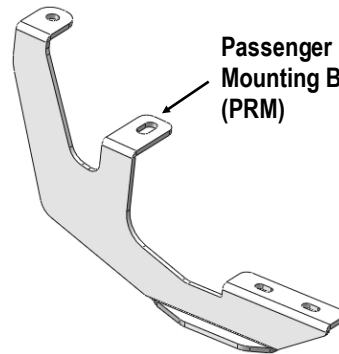
Passenger Front Mounting Bracket (PFM)



Driver Rear Mounting Bracket (DRM)



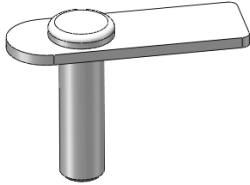
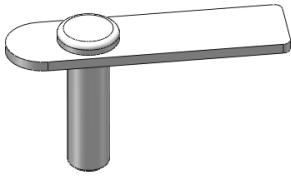


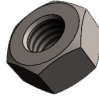
Passenger Rear Mounting Bracket (PRM)



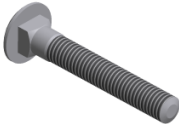





Scan for
Installation Video

Hardware Package A (For Bracket Installation)					
Item	QTY	Description	Item	QTY	Description
1#	4	M10X35 Short Bolt Plates	4#	8	M10 Lock Washers
2#	4	M10X35 Long Bolt Plates	5#	8	M10 Hex Nuts
3#	8	M10 Large Flat Washers			

				
1 #	2 #	3 #	4 #	5 #

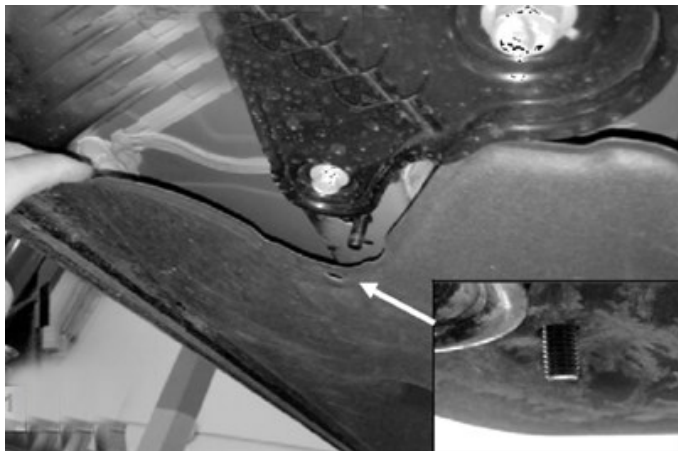
Hardware Package B (For Step Bar Installation)					
Item	QTY	Description	Item	QTY	Description
1#	8	M8X1.25-35mm Carriage Bolts	3#	8	M8 Nylon Lock Nuts
2#	8	M8 Large Flat Washers	4#	4	Sliders (Packed with Mounting Brackets)

			
1 #	2 #	3 #	4 #



STEP 1

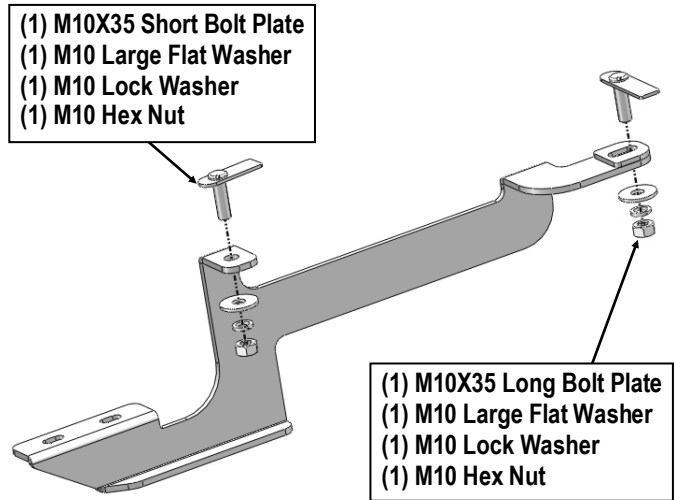
Start installation from the passenger side front of the vehicle. Partially remove the front part of the undercover to locate and remove the round rubber plug on the bottom of the inner frame channel. Insert (1) M10X35 Long Bolt Plate into the hole. Insert the threaded bolt through the hole of the undercover, **(Fig 1)**.



(Fig 1) Passenger Side Front Mounting Location

STEP 2

Remove the plastic round plug located on the outside of the pinch weld. Insert (1) M10X35 Short Bolt Plate into the hole. Attach the Passenger Front Mounting Bracket (PFM) to the installed Bolt plates with (2) M10 Large Flat Washers, (2) M10 Lock Washers and (2) M10 Hex Nuts, **(Fig 2)**. Do not fully tighten hardware at this time. Reinstall the undercover.



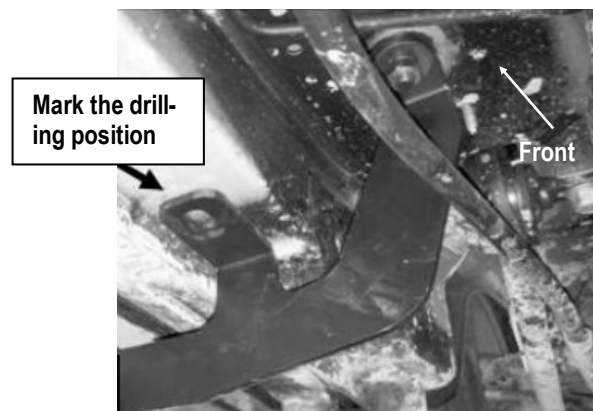
(Fig 2) Passenger Front Mounting Bracket Installation



(Fig 3) Passenger Rear Mounting Bracket Installation

STEP 3

Move to the passenger side rear mounting location of the vehicle. Locate and remove the rubber plug on the mounting location. Insert (1) M10x35 Long Bolt Plate into the hole **(Fig 3)**. And attached Passenger Rear Mounting Bracket (PRM) to the installed Bolt plate. Use the bracket as template, mark the slot position on the body panel **(Fig 4)**.



(Fig 4) Mark the drilling position on Passenger Rear Mounting



STEP 4

Remove bracket and drill a 3/16" hole on the body panel according to the mark. Enlarge the hole to 7/8" with a unibit (Fig 5 & 6). Suggest to paint the drilled hole with undercoating for antirust. And then insert (1) M10x35 Short Bolt Plate into the hole.

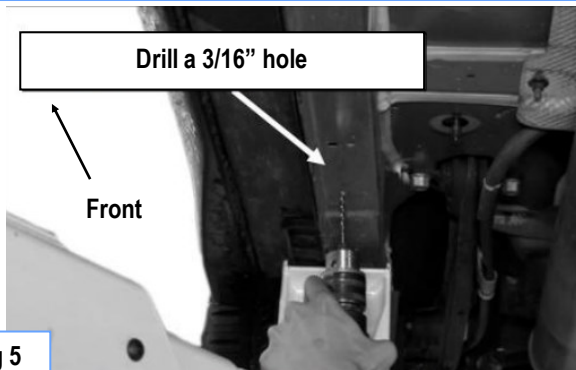


Fig 5

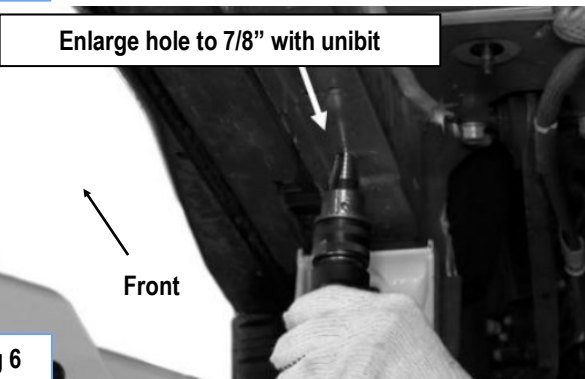


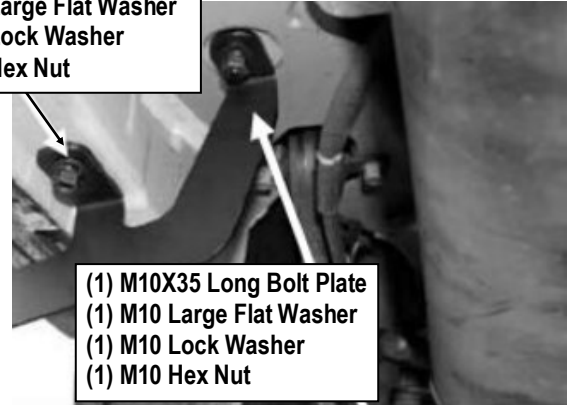
Fig 6

STEP 5

Attach the Passenger Rear Mounting Bracket (PRM) to the installed Bolt plates with (2) M10 Large Flat Washers, (2) M10 Lock Washers and (2) M10 Hex Nuts, (Fig 7). Do not fully tighten hardware at this time.

(1) M10X35 Short Bolt Plate
(1) M10 Large Flat Washer
(1) M10 Lock Washer
(1) M10 Hex Nut

Front



(Fig 7) Passenger Rear Mounting Bracket Installation

STEP 6

Once all (2) Passenger side mounting brackets are installed, then proceed to the Step Bar installation. (Figs 8 & 9)

- (1) Select (1) Slider and (2) M8X1.25-35mm Carriage Bolts;
- (2) Install (2) M8X1.25-35mm Carriage Bolts in (1) Slider.
- (3) Slide the Slider (with carriage bolts) to the **Step Bar**.
- (4) Repeat to install the other (1) slider to the step bar.

(5) Attach the Step Bar (with the Sliders) onto the installed mounting brackets. Position the Sliders to the installed brackets. Secure the Step Bar to the installed Brackets by using (4) M8 Large Flat Washers and (4) M8 Nylon Lock Nuts and (2) Sliders, (Fig 9). Do not fully tighten hardware at this time.

Note: The Sliders are packed with the Mounting Brackets.

Level and adjust the Step Bar and fully tighten all hardware.

Repeat **Steps 1-5** for the other side Step Bar installation. **The installation is completed!!!**

Attention

Do periodic inspections to the installation to make sure that all hardware is secure and tight.
In order to protect your bars/boards, please use mild soap/non-abrasive products for cleaning only.

