

iBoard®



Scan for
Installation Video

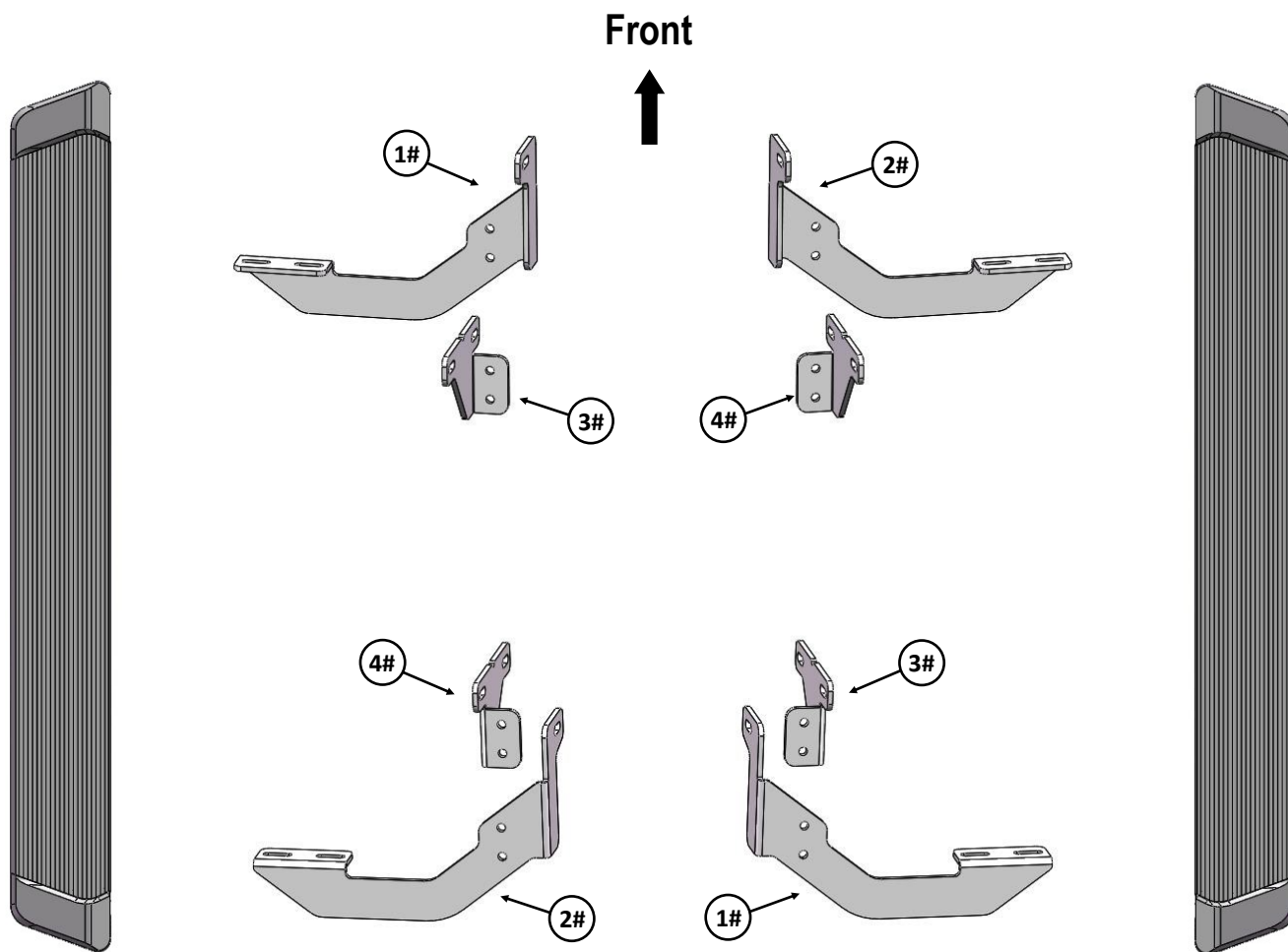
iBoard® by APS

PART#: IB-R963

READ INSTRUCTIONS CAREFULLY BEFORE STARTING INSTALLATION. REMOVE CONTENTS FROM BOX AND VERIFY ALL PARTS ARE PRESENT. ASSISTANCE IS RECOMMENDED.

*ROCKER PANEL MOUNT
*NO DRILLING REQUIRED

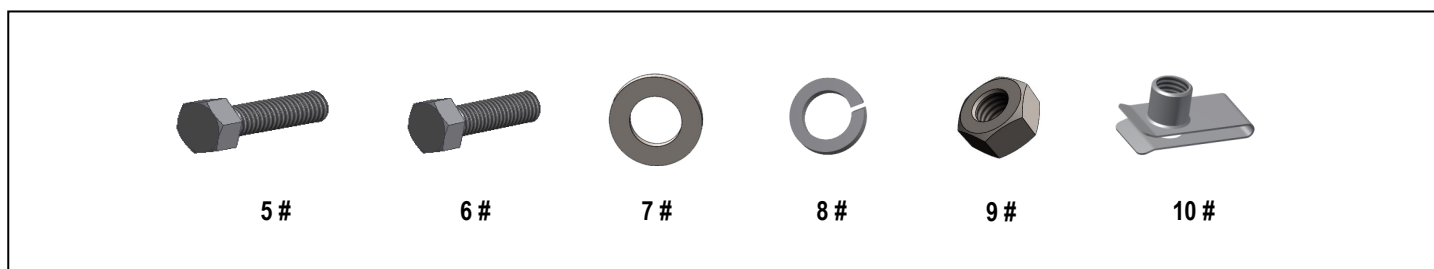
Fastener Size	Tightening Torque (ft-lbs)	Required
6mm	6-7	√
8mm	16-18	√
10mm	31-32	X
12mm	56-58	X
14mm	92-94	X



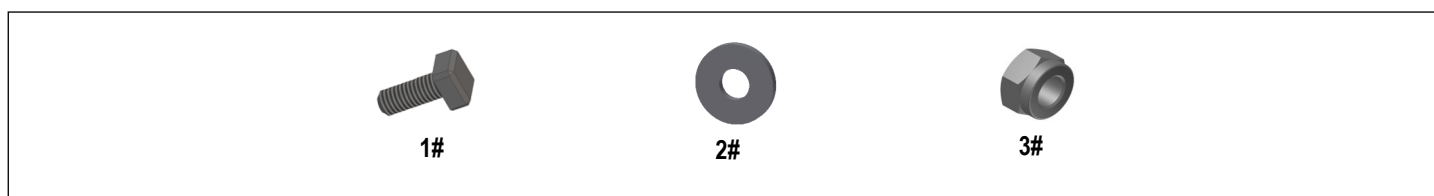
Customer Support: info@iboardauto.com



Hardware Package A (For Bracket Installation)					
Item	QTY	Description	Item	QTY	Description
1#	2	Driver Front / Passenger Rear Mounting Brackets	6#	8	M8X1.25-25mm Hex Bolts
2#	2	Passenger Front / Driver Rear Mounting Brackets	7#	36	M8 Flat Washers
3#	2	Driver Front / Passenger Rear Support Brackets	8#	20	M8 Lock Washers
4#	2	Passenger Front / Driver Rear Support Brackets	9#	16	M8 Hex Nuts
5#	12	M8X1.25-30mm Hex Bolts	10#	4	M8 Clip Nuts



Hardware Package B (For Step Bar Installation)					
Item	QTY	Description	Item	QTY	Description
1#	8	M6X1-20mm Square Head Bolts	3#	8	M6 Nylon Lock Nuts
2#	8	M6 Large Flat Washers			





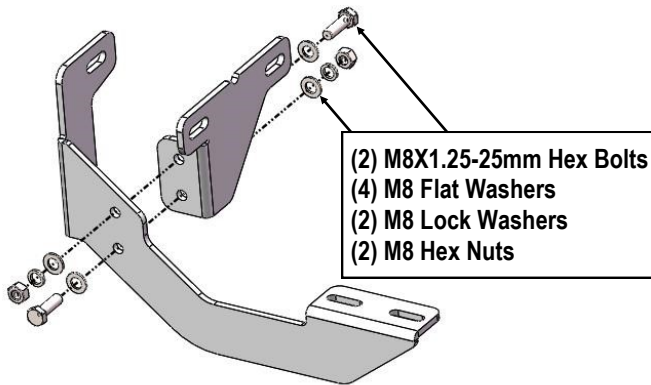
STEP 1

Start installation from the driver side of the vehicle. Identify the mounting locations along the rocker panel, (**Fig 3**).

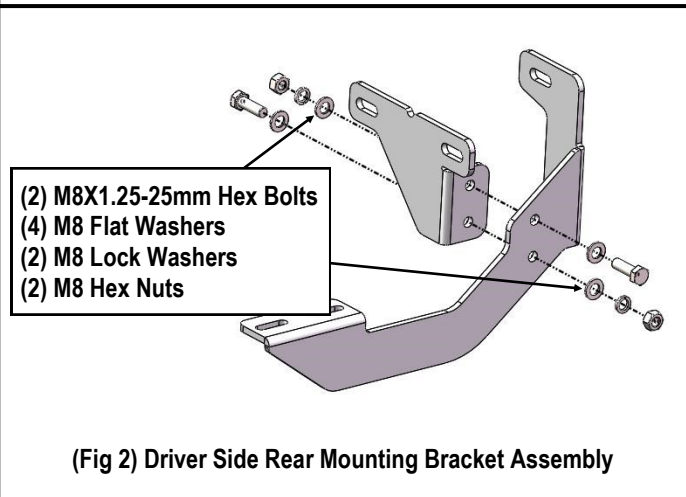
STEP 2

Select (1) Driver Front Mounting Bracket and (1) Driver Front Support Bracket, assemble with (2) M8X1.25-25mm Hex Bolts, (4) M8 Flat Washers, (2) M8 Lock Washers and (2) M8 Hex Nuts, (**Fig 1**). Do not fully tighten hardware at this time.

Repeat for Driver Rear Mounting Bracket and Driver Rear Support Bracket assemble, (**Fig 2**).



(Fig 1) Driver Side Front Mounting Bracket Assembly



(Fig 2) Driver Side Rear Mounting Bracket Assembly

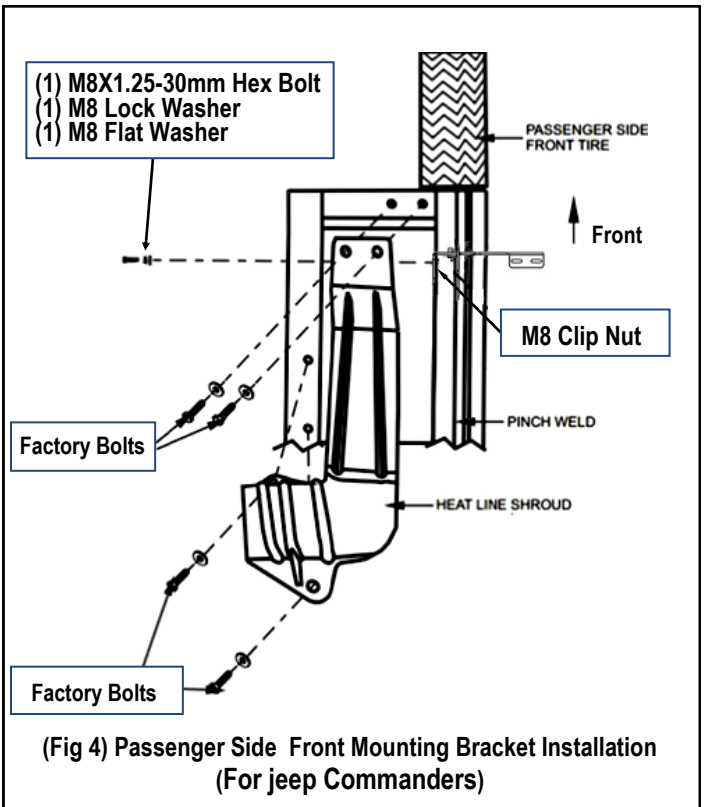
STEP 3

Attach (2) assembled Driver Side Mounting Brackets onto the mounting locations with (2) M8 Clip Nuts, (2) M8X1.25-30mm Hex Bolt, (2) M8 Lock Washers and (2) M8 Flat Washers; attach to the rocker panel with (4) M8X1.25-30mm Hex Bolts, (8) M8 Flat Washers, (4) M8 Lock Washers and (4) M8 Hex Nuts, (**Fig 3**). Do not fully tighten hardware at this time.

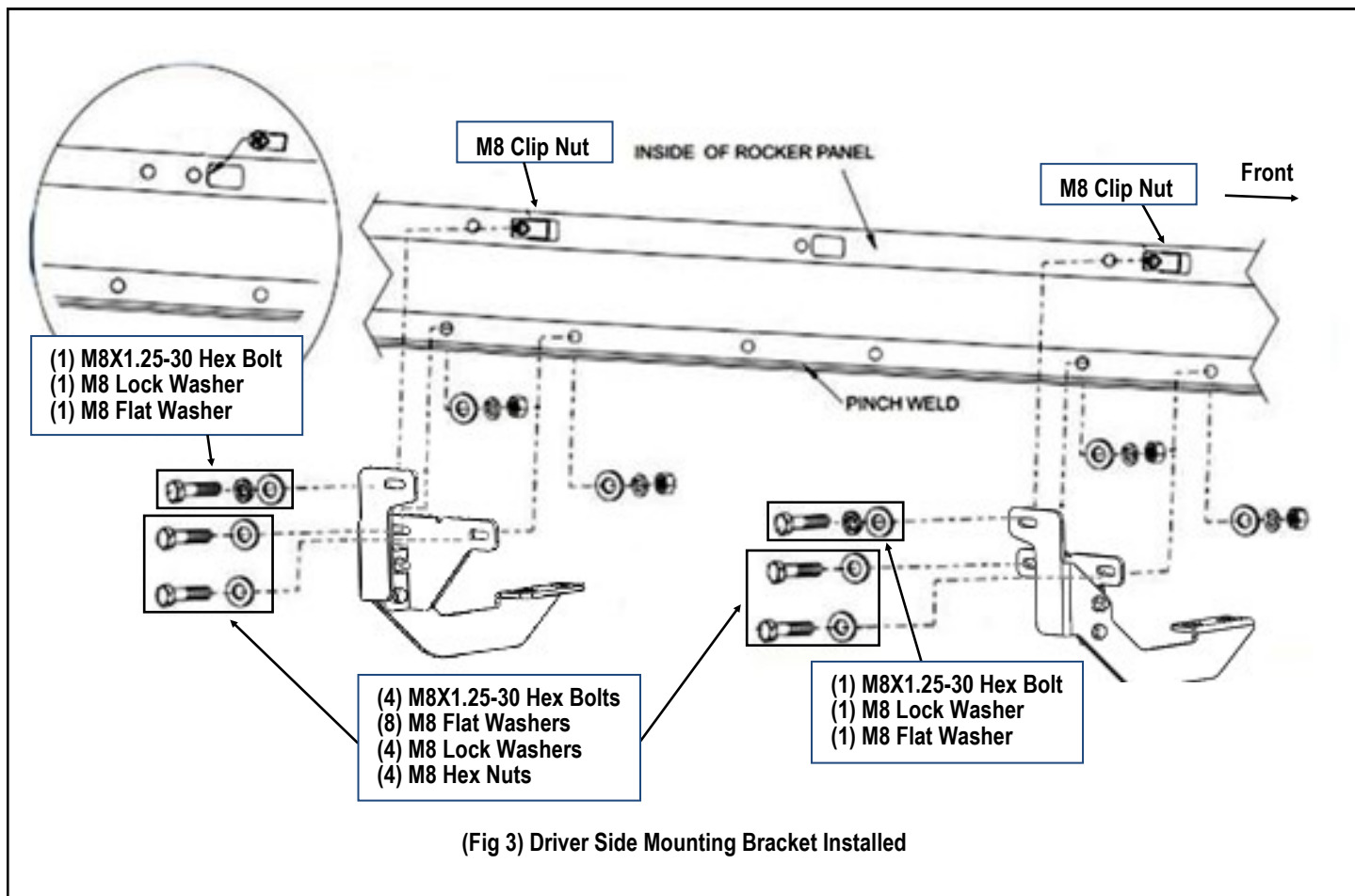
STEP 4

For jeep Commanders only: To attach the Passenger Side Front Mounting Brackets, remove the (4) factory bolts that secure the rear air and heat line shroud.

Remove the shroud to gain access to top mounting location on the bracket. After bracket is installed and fasteners are tightened, reattach shroud with the (4) existing bolts previously removed, (**Fig 4**).



(Fig 4) Passenger Side Front Mounting Bracket Installation
(For jeep Commanders)

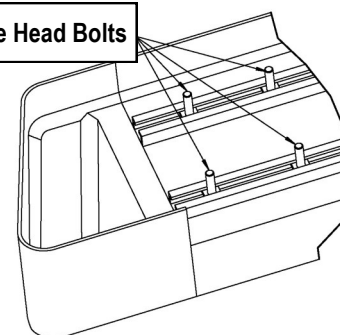


STEP 5

Once all (2) mounting brackets are installed. Select a Running Board. Slip (2) M6X1-20mm Square Head Bolts into each bottom channel (Fig 5). Carefully position the Running Board onto the (2) Mounting Brackets. Attach the Running Board to each Mounting Bracket with (2) M6X1-20mm Square Head Bolts, (2) M6 Large Flat Washers and (2) M6 Nylon Lock Nuts (Fig 6). Do not fully tighten at this time.

IMPORTANT: Do not slide the Running Board on the Brackets or the bottom surface of the board will be damaged

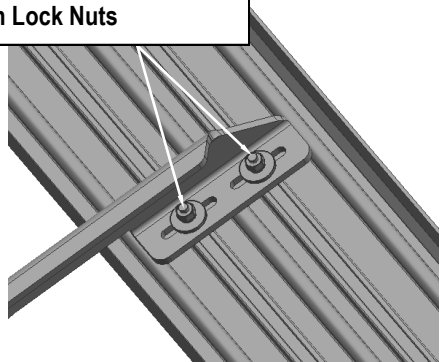
M6X1-20mm Square Head Bolts



(Fig 5) Slip M6X1-20mm Square Head Bolts Into The Bottom Channels



- (2) M6X1-20mm Square Head Bolts
- (2) M6 Large Flat Washers
- (2) M6 Nylon Lock Nuts



(Fig 6) Running Board Installed Onto Mounting Bracket

STEP 6

Level and adjust the Running Board and fully tighten all hardware.

Important: Please follow the recommended Tightening Torques shown in the table on page 1. Don't over tighten, or the nuts/bolts will be damaged.

STEP 7

Repeat **Steps 1-6** for the other side Running Board installation. The installation is completed.

Attention

Do periodic inspections to the installation to make sure that all hardware is secure and tight.

In order to protect your bars/boards, please use mild soap/non-abrasive products for cleaning only.