



PART#: IB-P963Y&H

iBoard® Series

READ INSTRUCTIONS CAREFULLY BEFORE STARTING INSTALLATION. REMOVE CONTENTS FROM BOX AND VERIFY ALL PARTS ARE PRESENT. ASSISTANCE IS RECOMMENDED.

*ROCKER PANEL MOUNT
*NO DRILLING REQUIRED

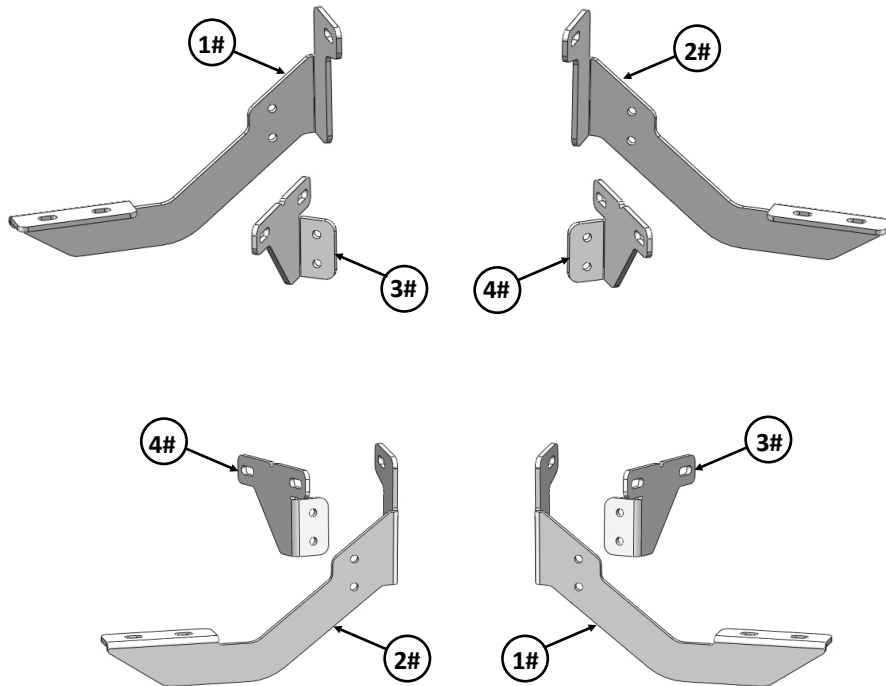
Fastener Size	Tightening Torque (ft-lbs)	Required
6mm	6-7	X
8mm	16-18	√
10mm	31-32	X
12mm	56-58	X
14mm	92-94	X

PART LIST

Driver Side Step Bar

Front

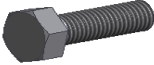
Passenger Side Step Bar

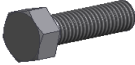






Scan for
Installation Video

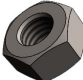
Hardware Package A (For Bracket Installation)					
Item	QTY	Description	Item	QTY	Description
1#	2	Driver Front / Passenger Rear Mounting Brackets	6#	8	M8X1.25-25mm Hex Bolts
2#	2	Passenger Front / Driver Rear Mounting Brackets	7#	36	M8 Flat Washers
3#	2	Driver Front / Passenger Rear Support Brackets	8#	20	M8 Lock Washers
4#	2	Passenger Front / Driver Rear Support Brackets	9#	16	M8 Hex Nuts
5#	12	M8X1.25-30mm Hex Bolts	10#	4	M8 Clip Nuts

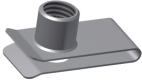

5 #


6 #

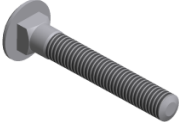

7 #



8 #



9 #



10 #

Hardware Package B (For Step Bar Installation)					
Item	QTY	Description	Item	QTY	Description
1#	8	M8X1.25-35mm Carriage Bolts	3#	8	M8 Nylon Lock Nuts
2#	8	M8 Large Flat Washers	4#	4	Sliders (Packed with Mounting Brackets)


1 #


2 #


3 #


4 #



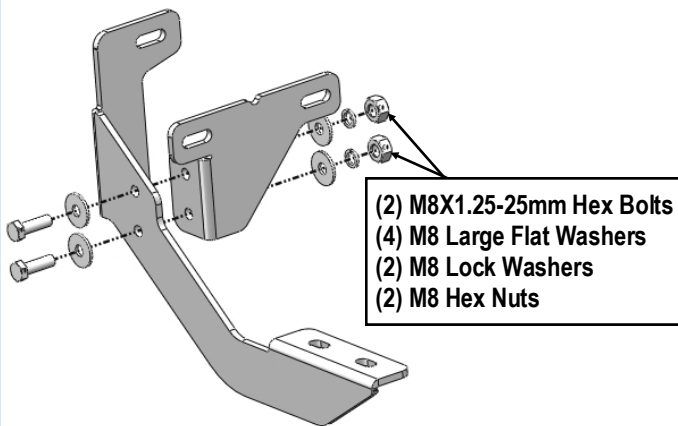
STEP 1

Start installation from the driver side of the vehicle. Identify the mounting locations along the rocker panel, **(Fig 3)**.

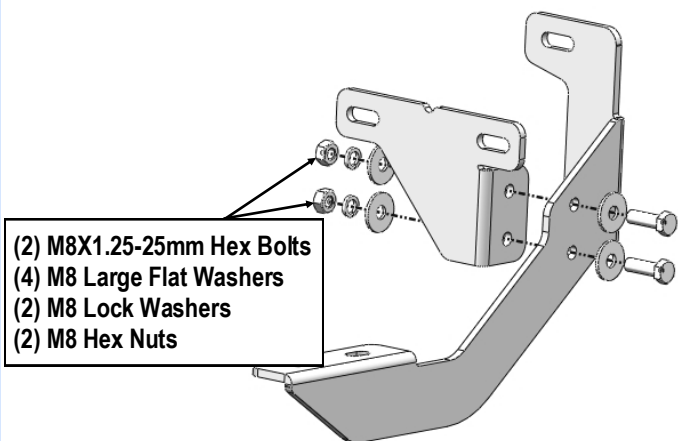
STEP 2

Select (1) Driver Front Mounting Bracket and (1) Driver Front Support Bracket, assemble with (2) M8X1.25-25mm Hex Bolts, (4) M8 Large Flat Washers, (2) M8 Lock Washers and (2) M8 Hex Nuts, **(Fig 1)**. Do not fully tighten hardware at this time.

Repeat for Driver Rear Mounting Bracket and Driver Rear Support Bracket assemble, **(Fig 2)**.



(Fig 1) Driver Side Front Mounting Bracket Assembly



(Fig 2) Driver Side Rear Mounting Bracket Assembly

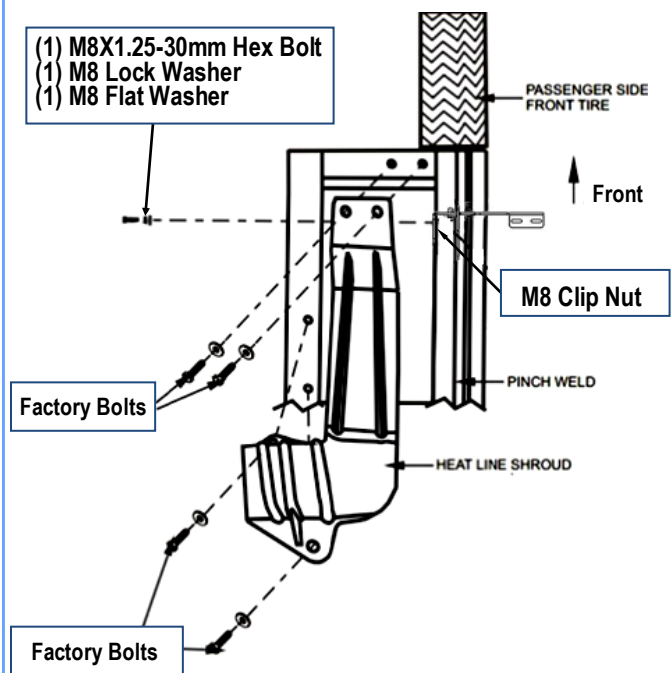
STEP 3

Attach (2) assembled Driver Side Mounting Brackets onto the mounting locations with (2) M8 Clip Nuts, (2) M8X1.25-30mm Hex Bolt, (2) M8 Lock Washers and (2) M8 Flat Washers; attach to the rocker panel with (4) M8X1.25-30mm Hex Bolts, (8) M8 Flat Washers, (4) M8 Lock Washers and (4) M8 Hex Nuts, **(Fig 3)**. Do not fully tighten hardware at this time.

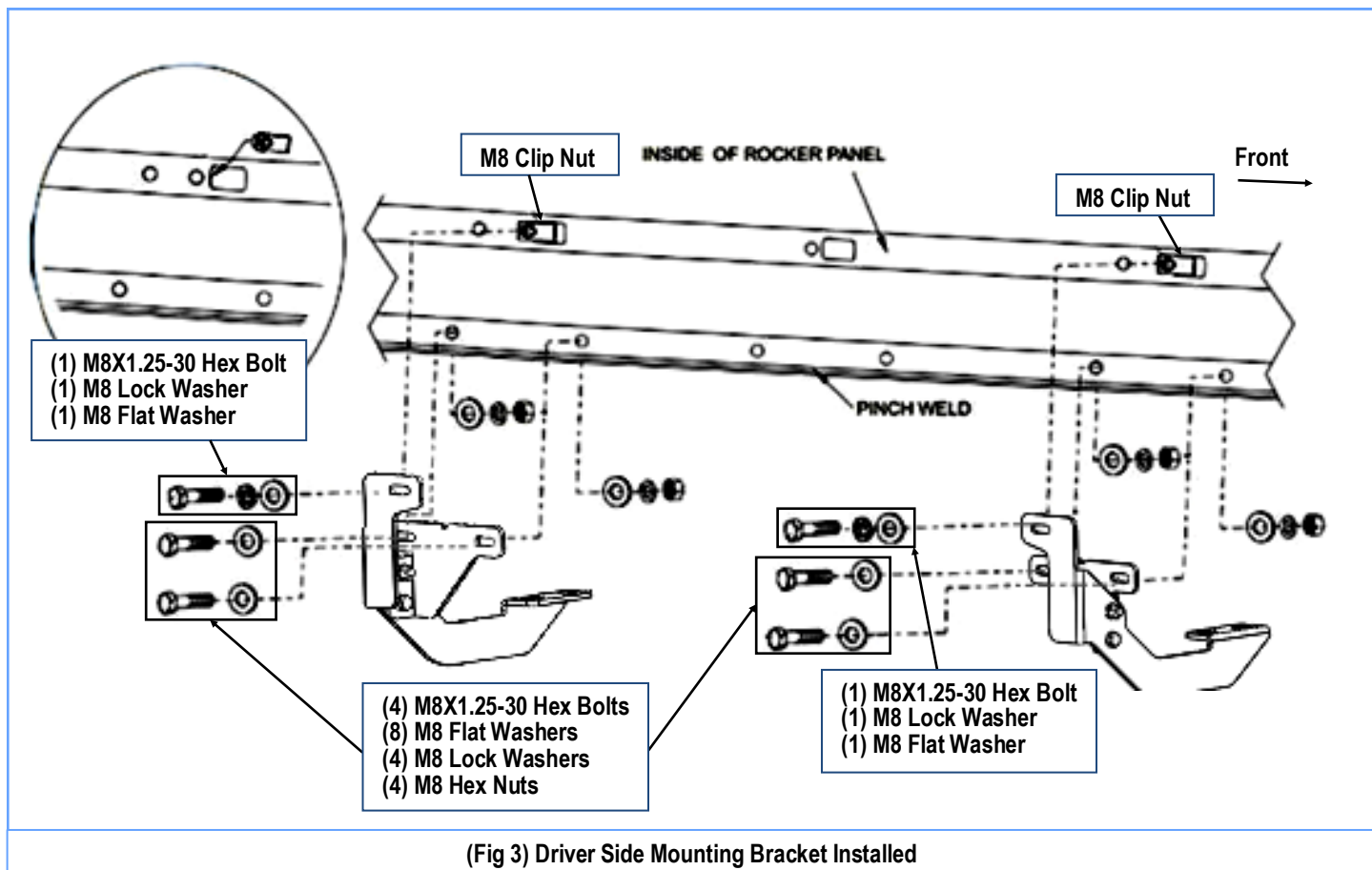
STEP 4

For Jeep Commanders only: To attach the Passenger Side Front Mounting Brackets, remove the (4) factory bolts that secure the rear air and heat line shroud.

Remove the shroud to gain access to top mounting location on the bracket. After bracket is installed and fasteners are tightened, reattach shroud with the (4) existing bolts previously removed, **(Fig 4)**.



(Fig 4) Passenger Side Front Mounting Bracket Installation (For Jeep Commanders)



STEP 5

Once all (2) Driver side mounting brackets are installed, then proceed to the Step Bar installation. **(Figs 5 & 6)**

- (1) Select (1) Slider and (2) M8X1.25-35mm Carriage Bolts;
- (2) Install (2) M8X1.25-35mm Carriage Bolts in (1) Slider.
- (3) Slide the Slider (with carriage bolts) to the Step Bar.
- (4) Repeat to install the other (1) slider to the step bar.
- (5) Attach the Step Bar (with the Sliders) onto the installed mounting brackets. Position the Sliders to the installed brackets. Secure the Step Bar to the installed Brackets by using (4) M8 Large Flat Washers and (4) M8 Nylon Lock Nuts and (2) Sliders, **(Fig 6)**. Do not fully tighten hardware at this time.

Note: The Sliders are packed with the Mounting Brackets.

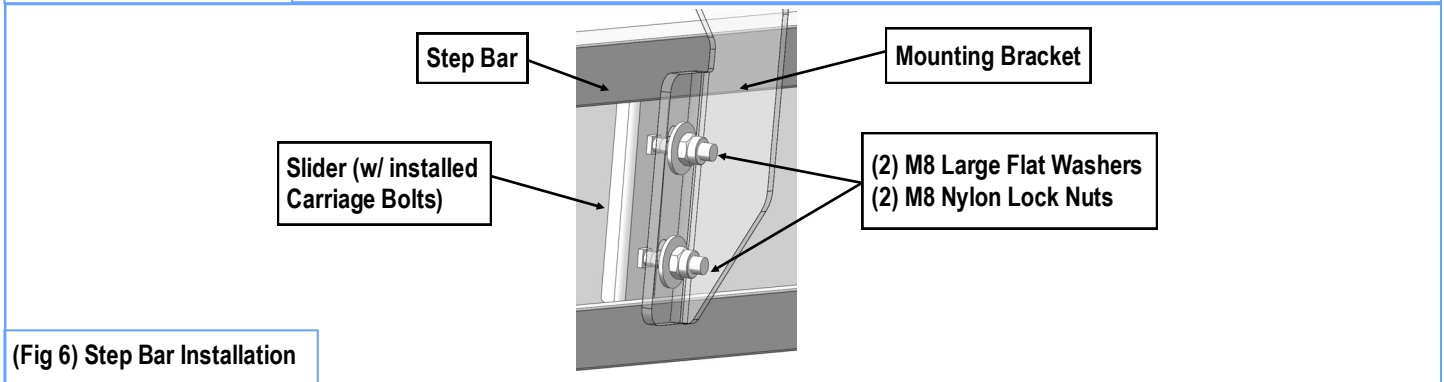
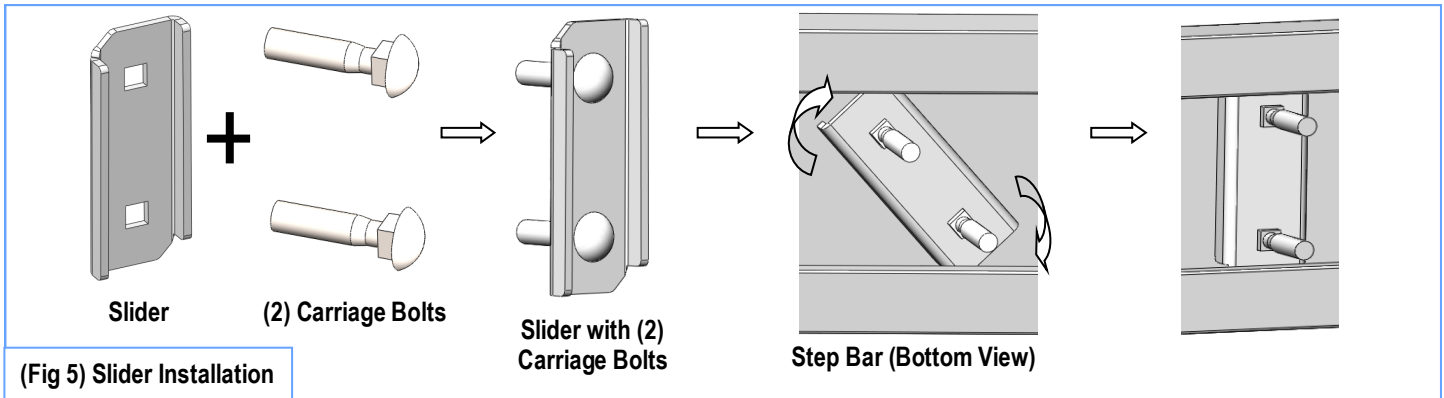
Level and adjust the Step Bar and fully tighten all hardware.

Repeat **Steps 1-5** for the other side Step Bar installation. The installation is completed!!!

Attention

Do periodic inspections to the installation to make sure that all hardware is secure and tight.

In order to protect your bars/boards, please use mild soap/non-abrasive products for cleaning only.



Attention

Do periodic inspections to the installation to make sure that all hardware is secure and tight.
In order to protect your bars/boards, please use mild soap/non-abrasive products for cleaning only.